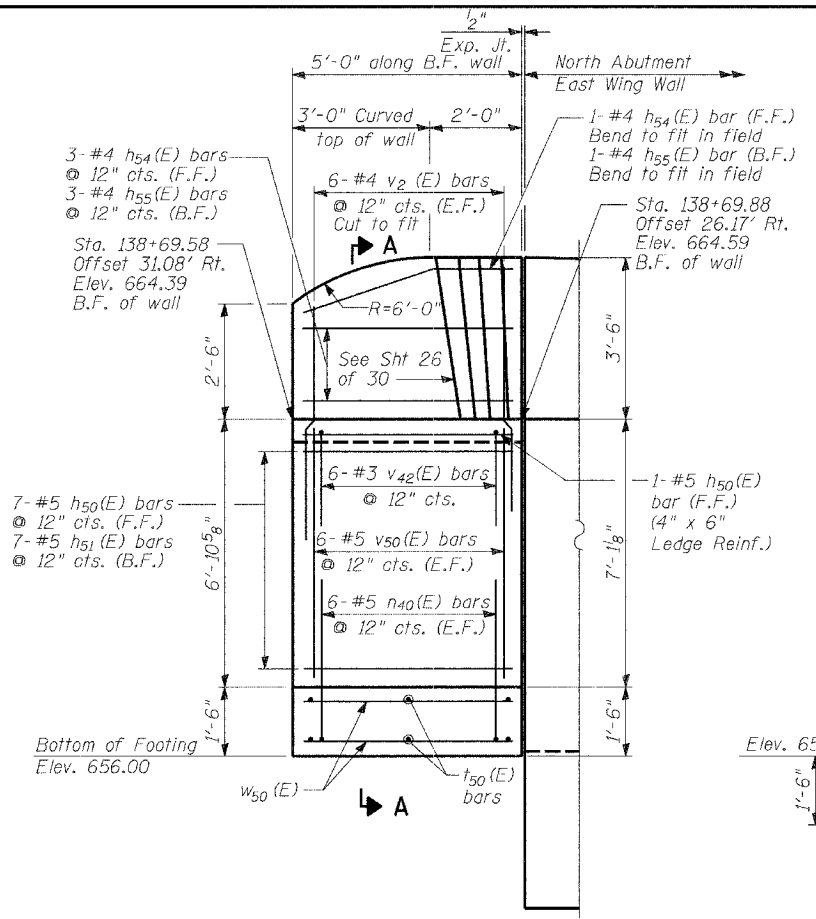


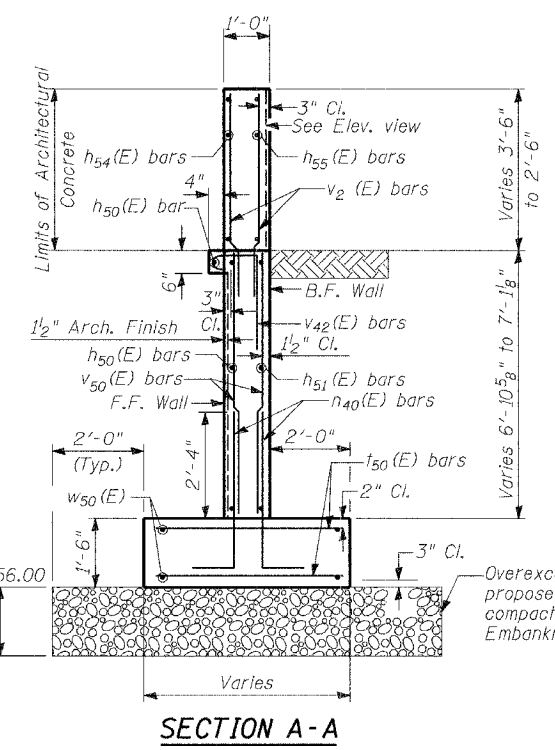
STATE OF ILLINOIS
DEPARTMENT OF TRANSPORTATION

ROUTE NO.	SECTION	COUNTY	TOTAL SHEETS	SHEET NO.
2758	*	LAKE	40	38
FED. ROAD DIST. NO.		ILLINOIS	FED. AID PROJECT	CONTRACT 83790
* 02-00025-00-BR				

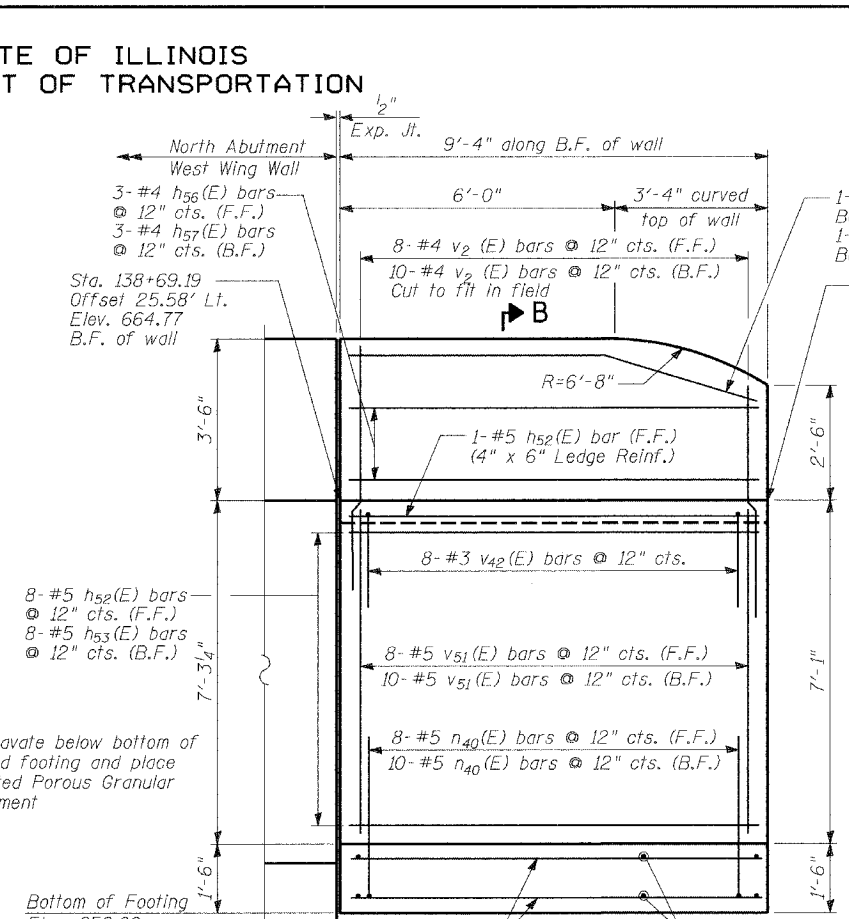
SHEET NO. - 28
30 - SHEETS
CONTRACT 83790



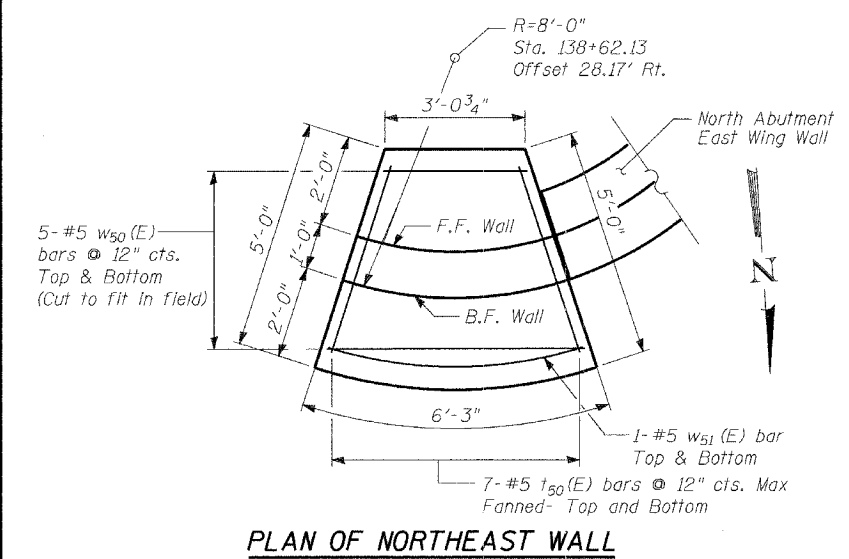
ELEVATION OF NORTHEAST WALL
(Looking South)



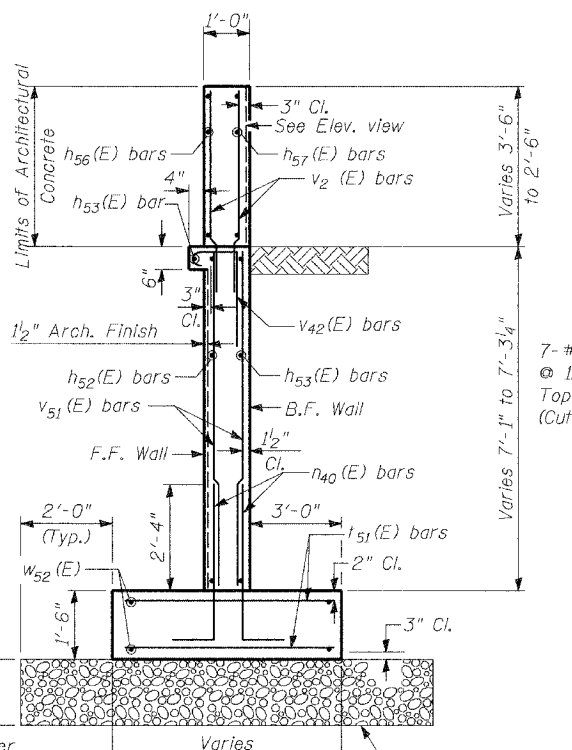
SECTION A-A



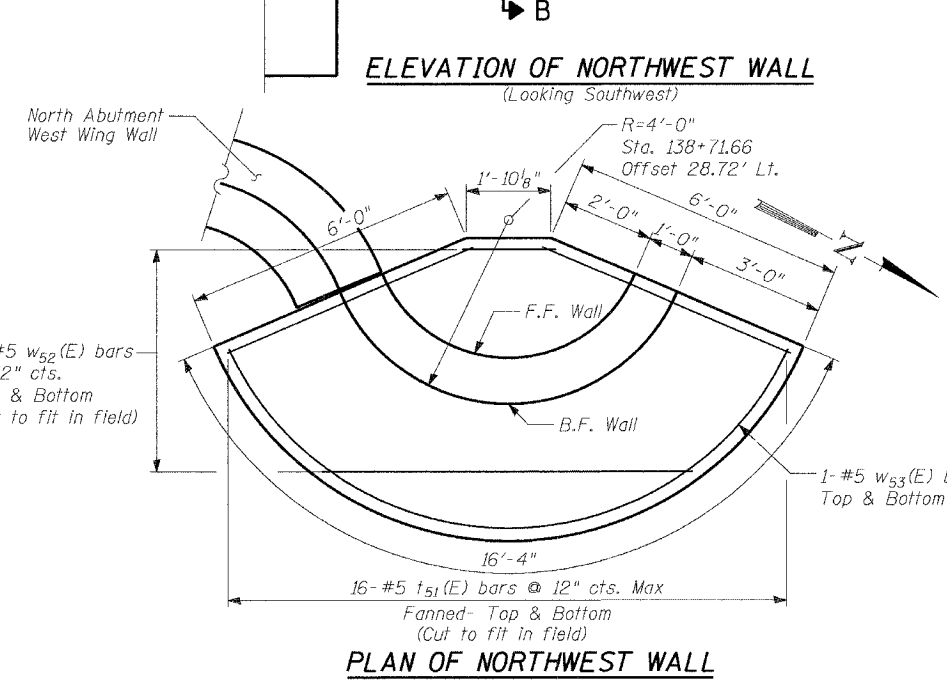
ELEVATION OF NORTHWEST WALL
(Looking Southwest)



PLAN OF NORTHEAST WALL



SECTION B-B

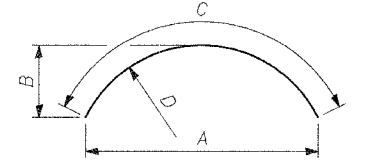


PLAN OF NORTHWEST WALL

BILL OF MATERIAL

Bar	No.	Size	Length	Shape
h50(E)	8	#5	4'-1"	()
h51(E)	7	#5	4'-7"	()
h52(E)	9	#5	7'-0"	()
h53(E)	8	#5	8'-7"	()
h54(E)	4	#4	4'-1"	()
h55(E)	4	#4	4'-7"	()
h56(E)	4	#4	7'-0"	()
h57(E)	4	#4	8'-7"	()
n40(E)	30	#5	4'-4"	()
t50(E)	14	#5	4'-8"	()
t51(E)	32	#5	6'-3"	()
v2(E)	30	#4	4'-4"	()
v42(E)	14	#3	3'-8"	()
v50(E)	12	#5	6'-8"	()
v51(E)	18	#5	6'-11"	()
w50(E)	10	#5	5'-8"	()
w51(E)	2	#5	5'-7"	()
w52(E)	14	#5	11'-8"	()
w53(E)	2	#5	15'-3"	()
Concrete Structures	Cu Yd		7.9	
Architectural Concrete	Cu Yd		1.6	
Reinforcement Bars, Epoxy Coated	Pounds		1280	
Structure Excavation	Cu Yd		75	
Porous Granular Embankment	Cu Yd		31	

Reinforcement bars designated (E) shall be epoxy coated.



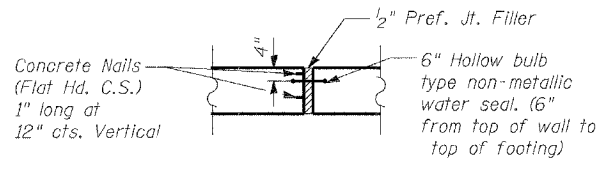
Bar	A	B	C	D
h50(E), h54(E)	4'-3 3/4"	3 1/2"	4'-1"	R=7'-1 1/2"
h51(E), h55(E)	4'-6 1/4"	4"	4'-7"	R=7'-10 1/2"
h52(E), h56(E)	5'-8 1/4"	1'-9 1/4"	7'-0"	R=3'-2"
h53(E), h57(E)	6'-10 7/8"	2'-2"	8'-7"	R=3'-10"
w51(E)	5'-6 3/8"	4 7/8"	5'-7"	R=9'-6"
w53(E)	12'-2 1/2"	3'-10 1/2"	15'-3"	R=6'-9"

NORTH ABUTMENT RETAINING WALLS

MOFFETT ROAD OVER
DRAINAGE RAVINE
FAU 2758
LAKE COUNTY
S.N. 049-6803

TYLIN INTERNATIONAL

DESIGNED	- SP
CHECKED	- AD
DRAWN	- DE
CHECKED	- PF



EXPANSION JOINT DETAIL

NOTES

For Architectural finish, see Sheet 26 of 30.

DATE: 02-23-2005