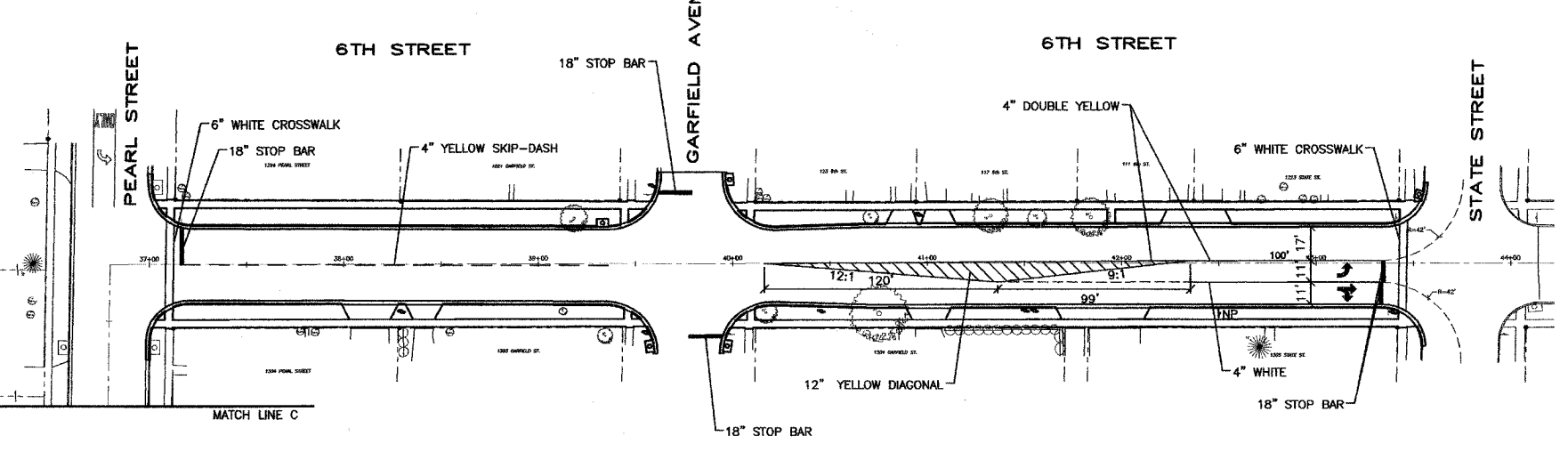
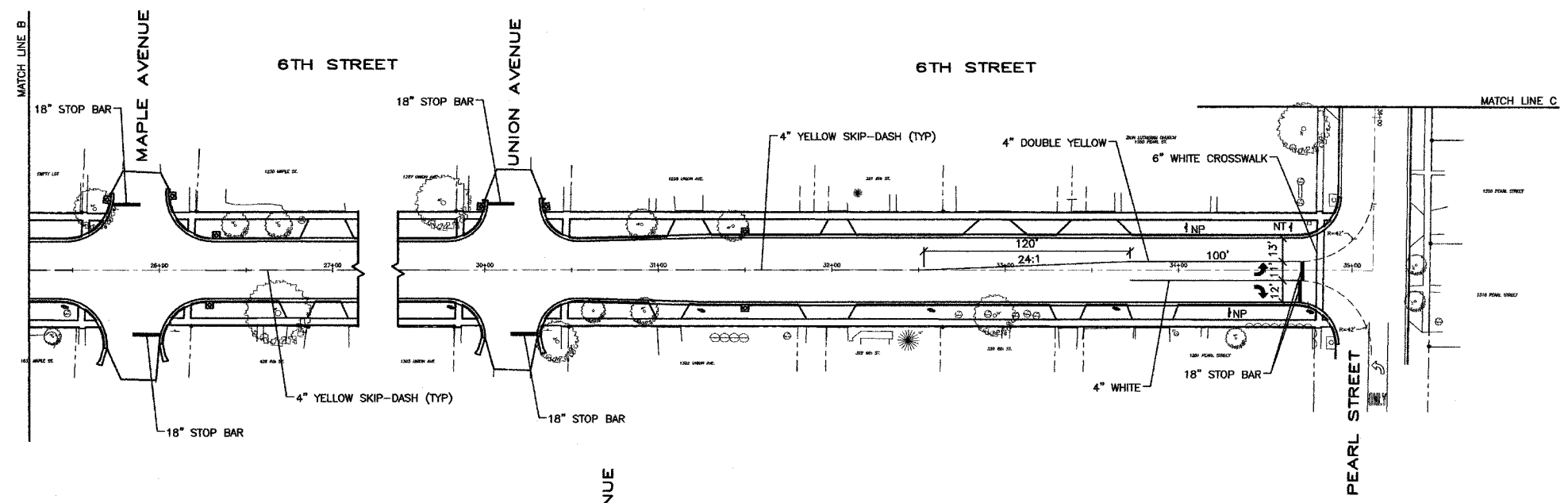
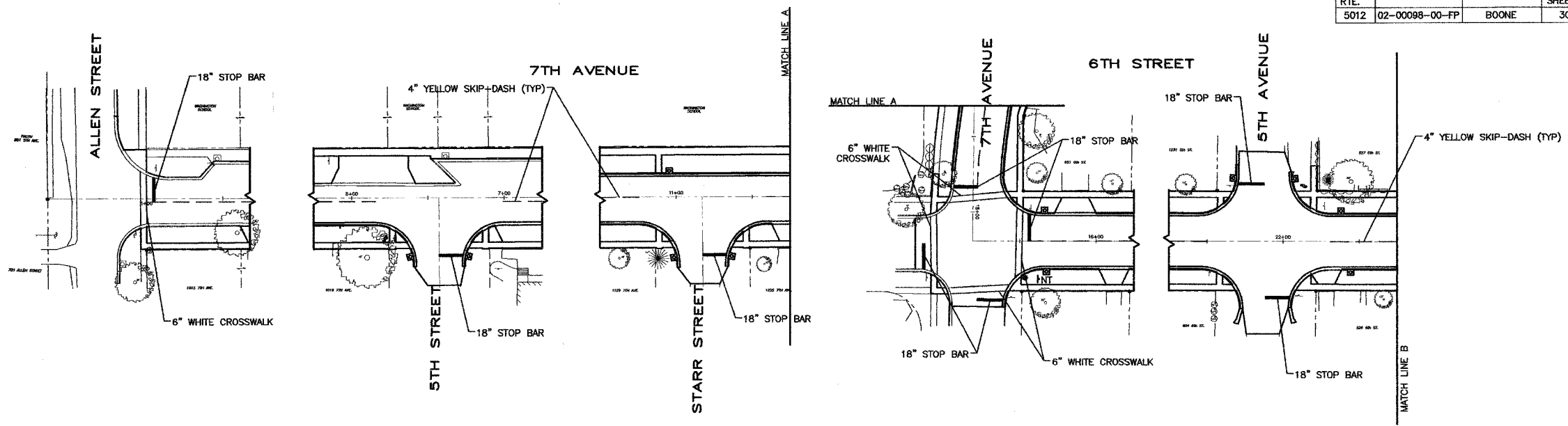


F.A.U. RTE.	SECTION	COUNTY	TOTAL SHEETS	SHEET NO.
5012	02-00098-00-FP	BOONE	30	26



SCALE: 1" = 40'
NOTE: STRIPING DASH LENGTHS ARE NOT TO SCALE



LEGEND

STOP SIGN (EXTG.)	—
NO PARKING SIGN	— NP
NO TRUCKS SIGN	— NT
CURVE CL	---
PARKING AREAS	P
EXISTING STRIPING	—
PROPOSED STRIPING	—

SUMMARY OF QUANTITIES PAVEMENT STRIPING

DESCRIPTION (THK)-MAT'L	QUAN.
4" YELLOW/WHITE	3211 LF
6" WHITE	642 LF
12" YELLOW	280 LF
18" WHITE	308 LF
LETTERS & SYMBOLS	42 SF

NOTES:
1. PAVEMENT MARKINGS TO BE THERMOPLASTIC IN ACCORDANCE WITH IDOT SPEC. 780.05.

PAVEMENT MARKING & SIGNAGE PLAN

ROSARIO S. TARARA
LAND SURVEYING, INC.
3600 EAST STATE STREET, SUITE 315, ROCKFORD, IL 61108 (815)397-6333

CARROLL ENGINEERING & ASSOCIATES, P.C.
111 W. HURLBUT AVE. BELVIDERE, IL
TELEPHONE (815) 547-3406

DESIGN FIRM NUMBER: 184-002928 (35-002994)
ISSUE DATE: 03/24/2005
REVISION NO. & DATE:
PROJECT NO.: 372