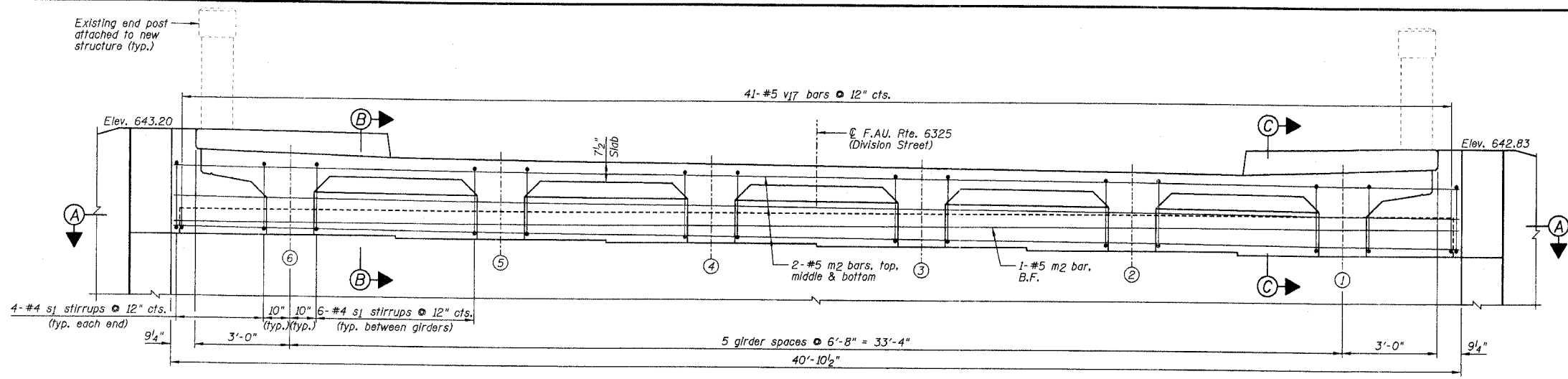
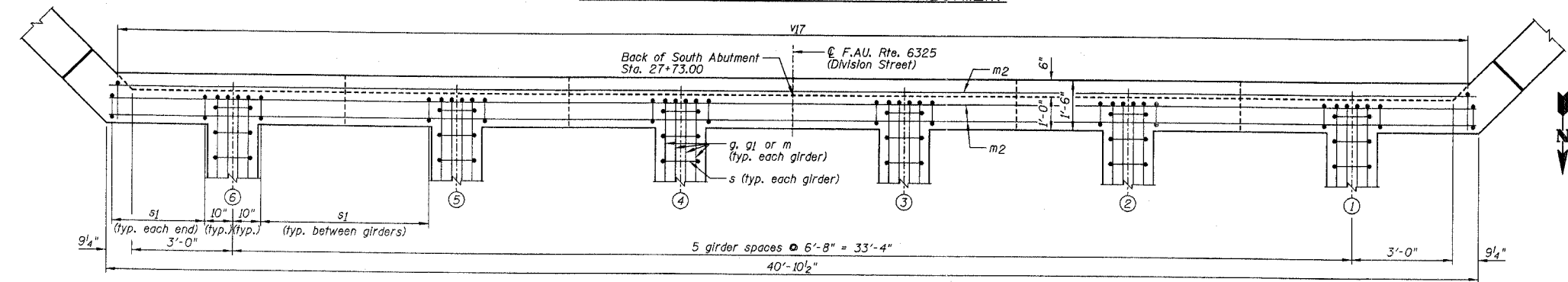


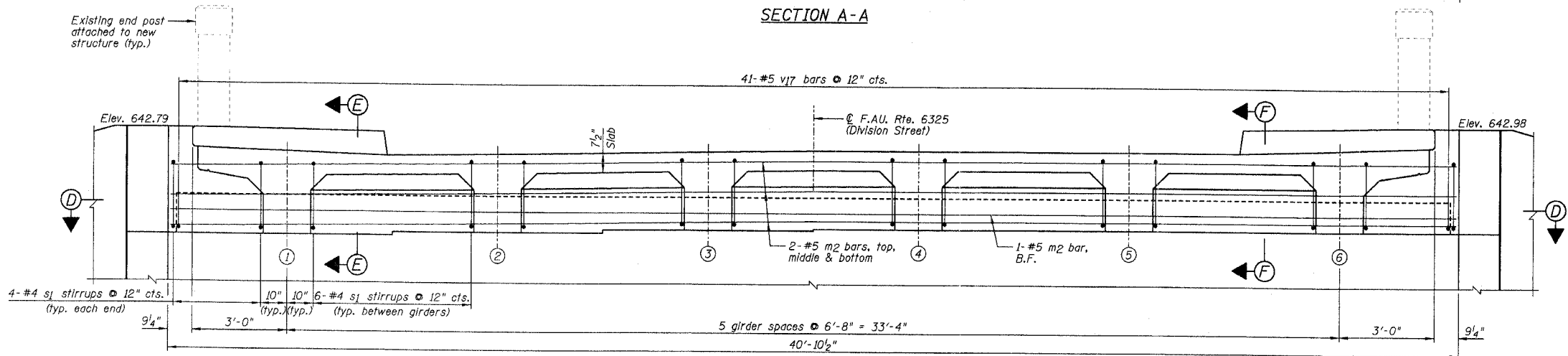
F.A.U. RTE.	SECTION	COUNTY	TOTAL SHEETS	SHEET NO.	SHEET NO. 89 OF 18 SHEETS
6325	02-00090-00-BR	LIVINGSTON	31	16	
STA.	TO STA.				
FED. ROAD DIST. NO. 7	ILLINOIS	FED. AID PROJECT			
CONTRACT NO. 87238					



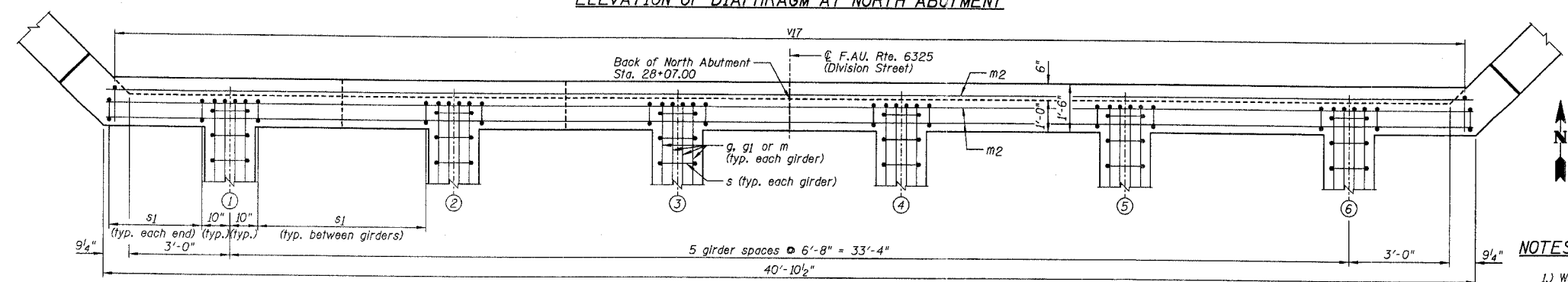
ELEVATION OF DIAPHRAGM AT SOUTH ABUTMENT



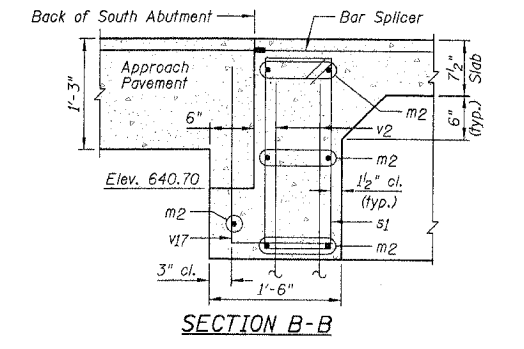
SECTION A-A



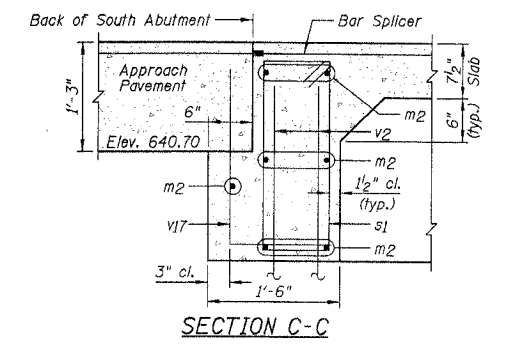
ELEVATION OF DIAPHRAGM AT NORTH ABUTMENT



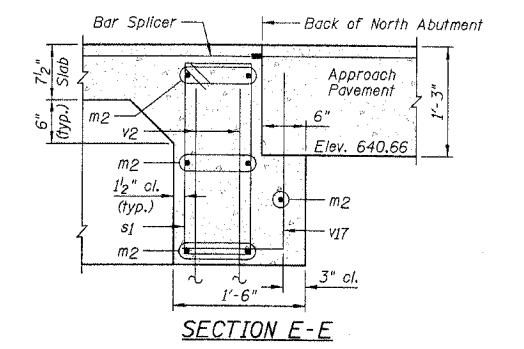
SECTION D-D



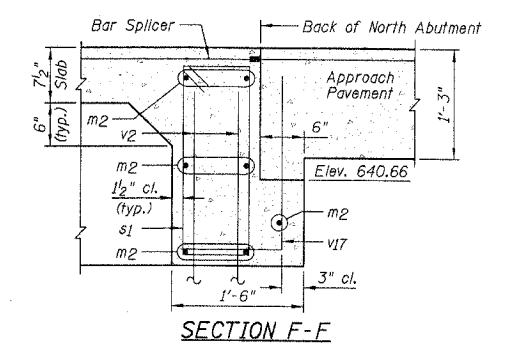
SECTION B-B



SECTION C-C



SECTION E-E



SECTION F-F

SECTION 02-00090-00-BR
LIVINGSTON COUNTY
PONTIAC, ILLINOIS

END DIAPHRAGM
ELEVATIONS AND SECTIONS

DESIGNED BY J.M.L.	 2700 McQuay Drive Bloomington, Illinois 61704 309/668-8130, 309/663-1871 fax	FILE NO. 24-6884
DRAWN BY D.J.M.		DATE 01-14-05
CHECKED BY M.S.W.		SHEET NO. 16 OF 31

NOTES:
1.) Work this sheet with Sheets B4-B8.
2.) For Superstructure Bill of Materials see Sheet B8.