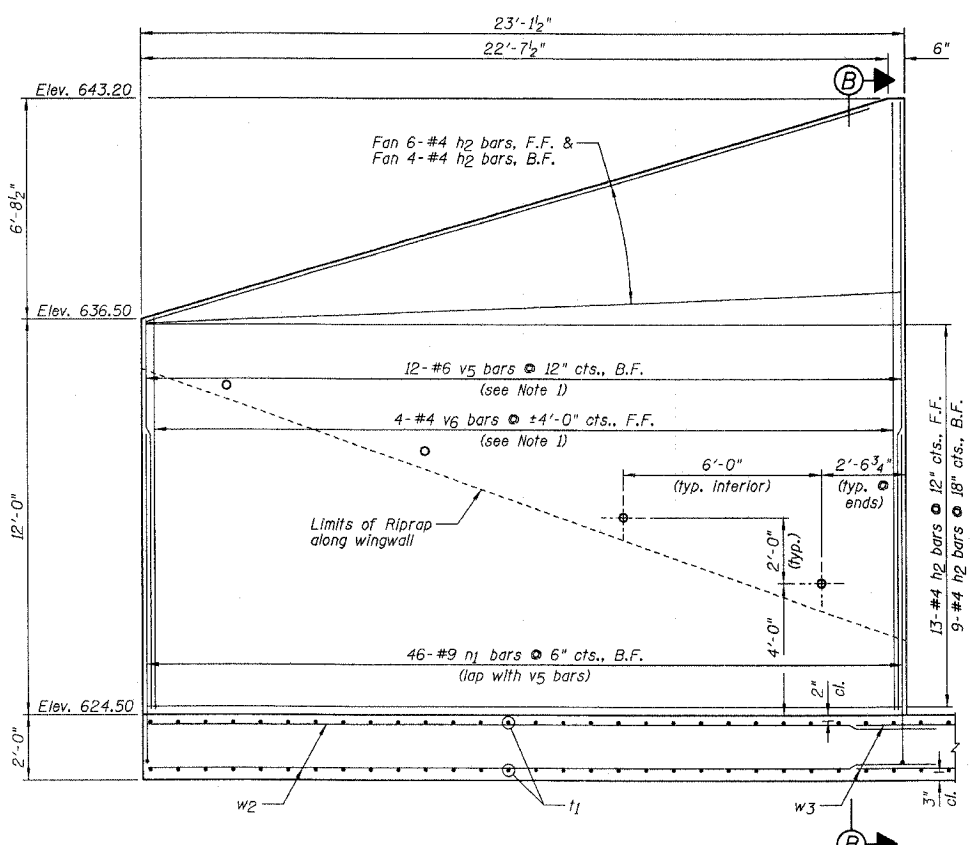
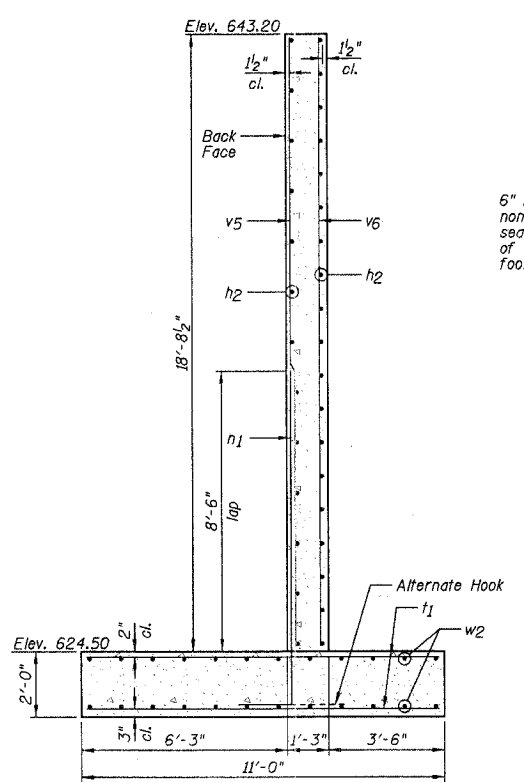


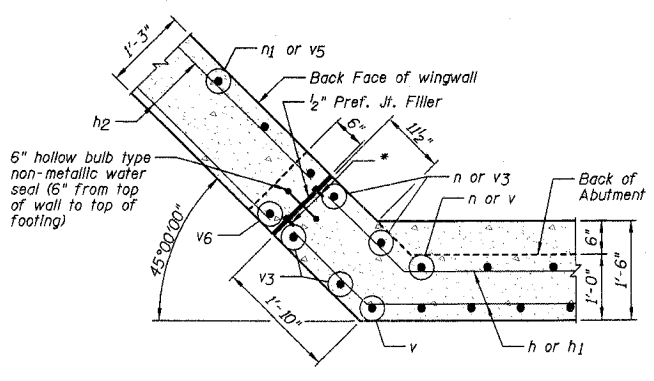
F.A.U. RTE.	SECTION	COUNTY	TOTAL SHEETS	SHEET NO.	SHEET NO. B12 OF 18 SHEETS
6325	02-00090-00-BR	LIVINGSTON	31	19	
STA.		TO STA.			
FED. ROAD DIST. NO. 7		ILLINOIS FED. AID PROJECT			
CONTRACT NO. 87238					



ELEVATION SOUTHEAST WINGWALL



SECTION B-B

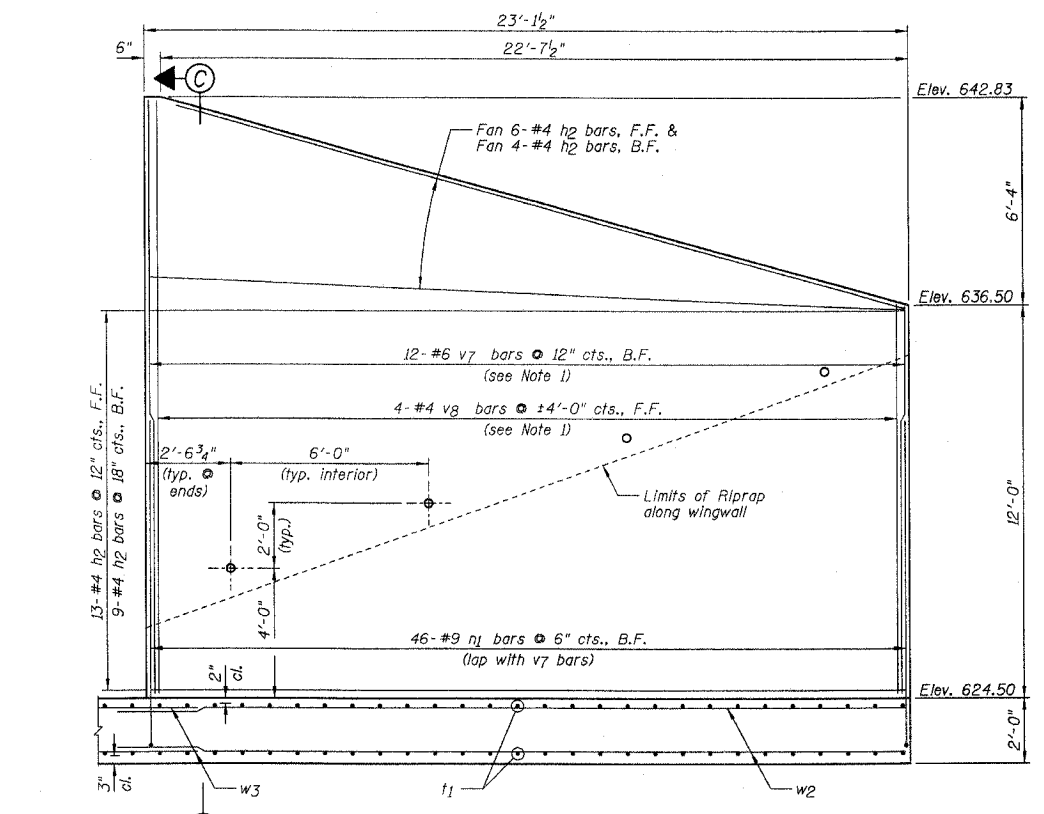


SOUTHEAST CORNER DETAIL

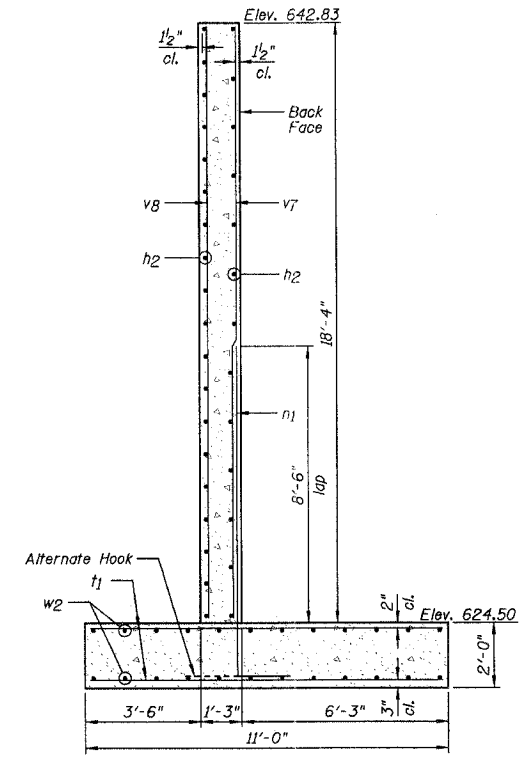
\*Concrete nails (Flat Hd. C.S.)  
1" long at 12" cts., vertical.

**BAR CUTTING DIAGRAMS**

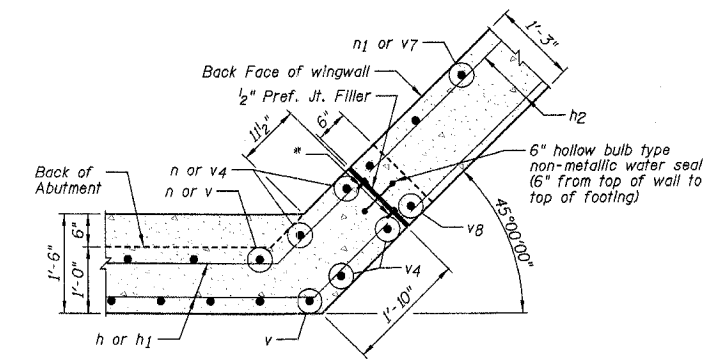
BAR	A	B	C	D	E	F	L
w1	24'-1"	10'-0"	24'-1"	10'-0"	1	9	34'-1"
v5	18'-6"	11'-10"	15'-3 3/4"	15'-0 1/4"	1	12	30'-4"
v6	18'-6"	11'-10"	15'-7 3/4"	14'-8 1/4"	1	4	30'-4"
v7	18'-2"	11'-10"	15'-1 3/4"	14'-10 1/4"	1	12	30'-0"
v8	18'-2"	11'-10"	15'-5 1/2"	14'-6 1/2"	1	4	30'-0"



ELEVATION SOUTHWEST WINGWALL



SECTION C-C



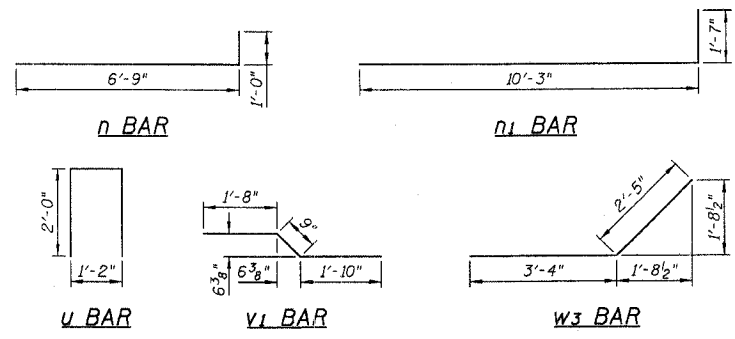
SOUTHWEST CORNER DETAIL

\*Concrete nails (Flat Hd. C.S.)  
1" long at 12" cts., vertical.

SOUTH ABUTMENT  
BILL OF MATERIALS

Bar	No.	Size	Length	Shape
h	54	#4	23'-0"	---
h1	2	#4	15'-2"	---
h2	64	#4	22'-9"	---
n	84	#6	7'-9"	---
n1	92	#9	11'-10"	---
t	110	#6	8'-2"	---
t1	196	#6	10'-8"	---
u	16	#4	5'-2"	---
v	95	#5	14'-9"	---
v1	40	#5	4'-3"	---
v2	78	#5	4'-6"	---
v3	4	#5	18'-6"	---
v4	4	#5	18'-2"	---
v5	12	#6	30'-4"	---
v6	4	#4	30'-4"	---
v7	12	#6	30'-0"	---
v8	4	#4	30'-0"	---
w	18	#5	24'-1"	---
w1	9	#5	34'-1"	---
w2	48	#5	23'-10"	---
w3	36	#5	5'-9"	---

Item	Unit	Quantity
Structure Excavation	Cu. Yd.	875
Rock Excavation for Structures	Cu. Yd.	108
Concrete Structures	Cu. Yd.	124.0
Seal Coat Concrete	Cu. Yd.	33
Reinforcement Bars, Epoxy Coated	Pound	16,630
Name Plates	Each	1



**BAR LAPS**

#4	= 1'-11"
#5	= 2'-5"
#6	= 2'-10"
#7	= 3'-10"
#8	= 5'-1"
#9	= 6'-4"

Note: Unless noted otherwise.

**NOTES:**

- Order v5, v6, v7 & v8 bars full length. Cut according to Bar Cutting Diagram. Use remainder of v5, v6, v7 & v8 bars in same face of wingwalls.
- Work this sheet with Sheets B11.

SECTION 02-00090-00-BR  
LIVINGSTON COUNTY  
PONTIAC, ILLINOIS

SOUTH ABUTMENT  
WINGWALL DETAILS AND  
BILL OF MATERIALS

DESIGNED BY J.M.L.	<p><b>Farnsworth GROUP</b> 2706 McDrew Drive Bloomington, Illinois 61704 309/898-9696, 309/988-1871 fax</p>	FILE NO. 24-6884
DRAWN BY D.J.M.		DATE 01-14-05
CHECKED BY M.S.W.		SHEET NO. 19 OF 31