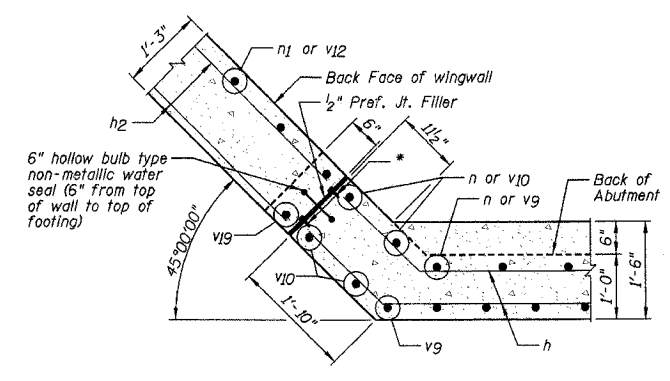
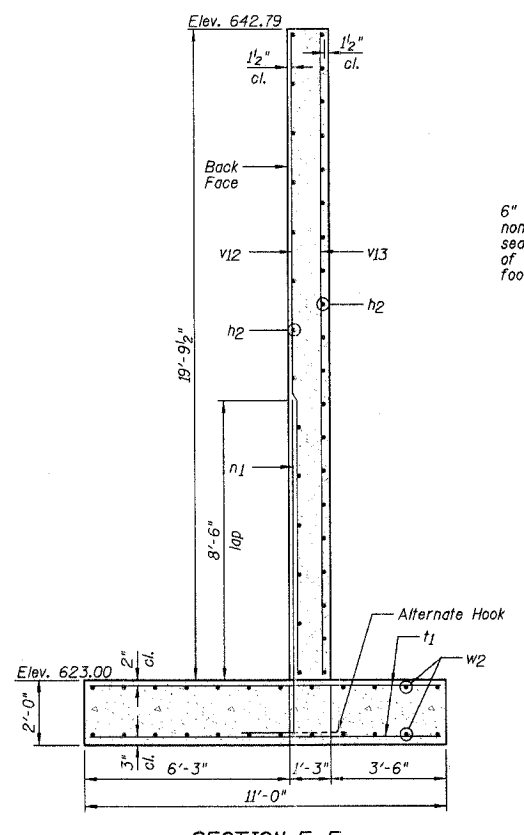
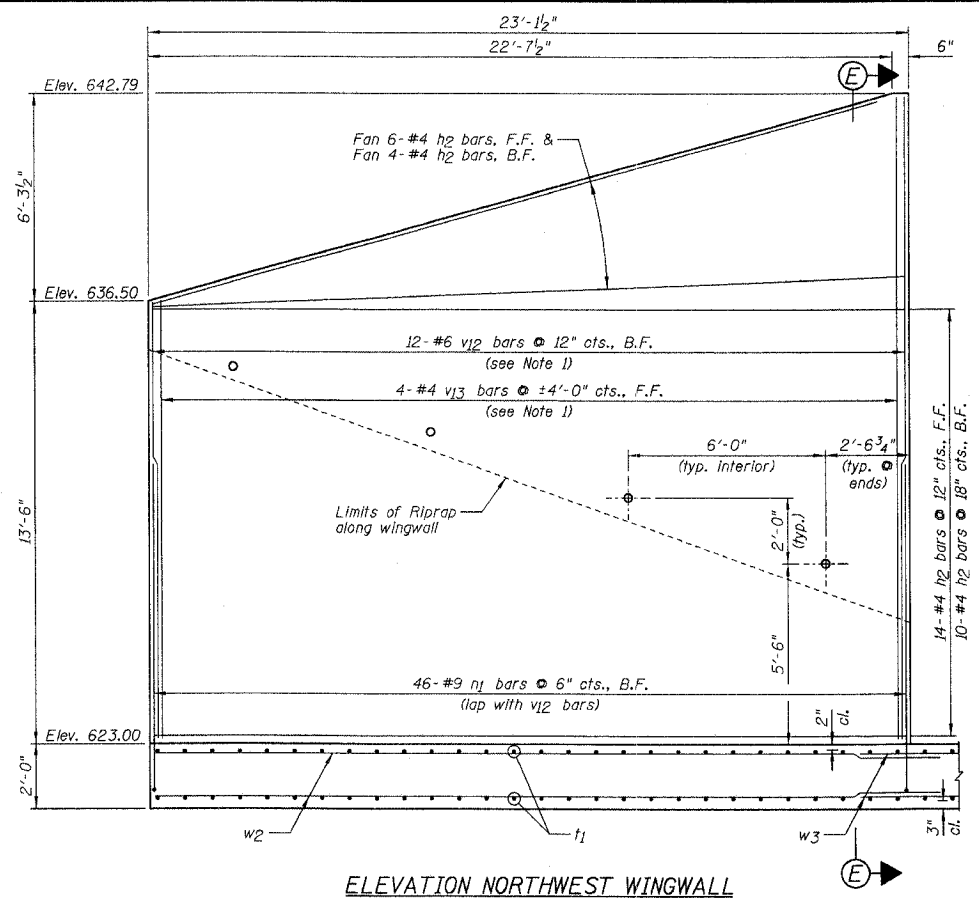
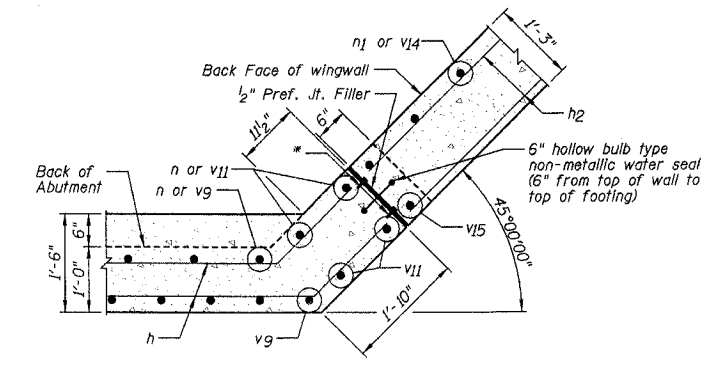
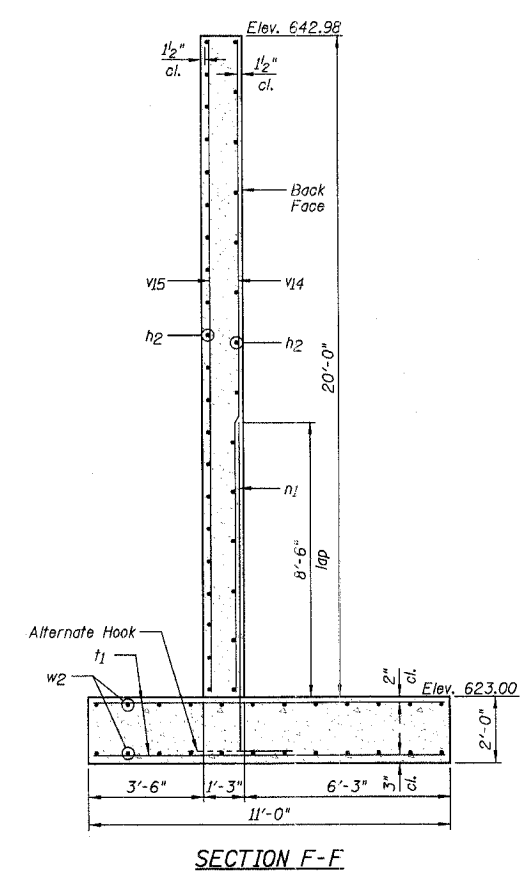
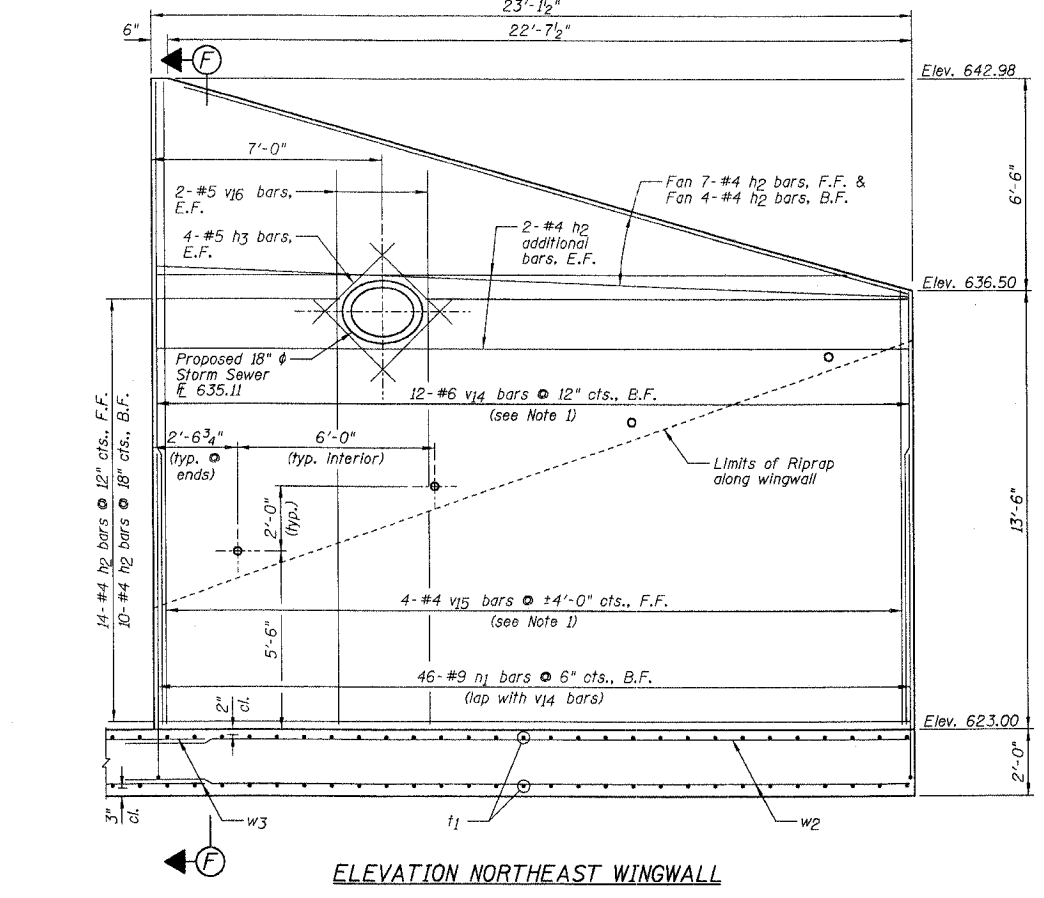


F.A.U. RTE.	SECTION	COUNTY	TOTAL SHEETS	SHEET NO.	SHEET NO. B14 OF 18 SHEETS
6325	02-00090-00-BR	LIVINGSTON	31	21	
STA.	TO STA.				
FED. ROAD DIST. NO. 7		ILLINOIS FED. AID PROJECT*			
CONTRACT NO. 87238					



BAR CUTTING DIAGRAMS

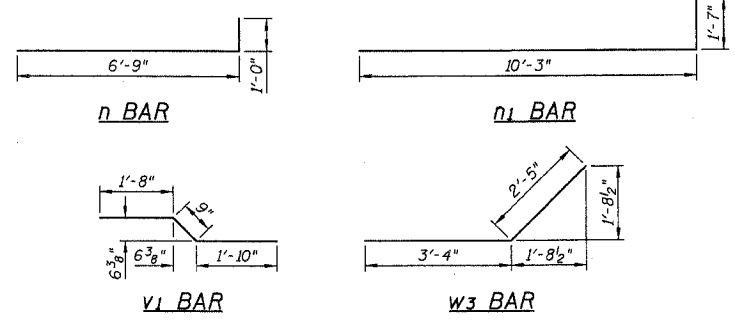
BAR	A	B	C	D	E	F	L
w1	24'-1"	10'-0"	24'-1"	10'-0"	1	9	34'-1"
v12	19'-7"	13'-4"	16'-7"	16'-4"	1	12	32'-11"
v13	19'-7"	13'-4"	16'-10 3/4"	16'-0 1/4"	1	4	32'-11"
v14	19'-10"	13'-4"	16'-8 3/4"	16'-5 1/4"	1	12	33'-2"
v15	19'-10"	13'-4"	17'-0 3/4"	16'-1 1/4"	1	4	33'-2"



NORTH ABUTMENT BILL OF MATERIALS

Bar	No.	Size	Length	Shape
h	58	#4	23'-0"	---
h2	73	#4	22'-9"	---
h3	8	#5	4'-0"	---
n	84	#6	7'-9"	---
n1	92	#9	11'-10"	---
t	110	#6	8'-2"	---
t1	196	#6	10'-8"	---
v1	40	#5	4'-3"	---
v2	78	#5	4'-6"	---
v9	95	#5	16'-3"	---
v10	4	#5	19'-7"	---
v11	4	#5	19'-10"	---
v12	12	#6	32'-11"	---
v13	4	#4	32'-11"	---
v14	12	#6	33'-2"	---
v15	4	#4	33'-2"	---
v16	4	#5	17'-0"	---
w	18	#5	24'-1"	---
w1	9	#5	34'-1"	---
w2	48	#5	23'-10"	---
w3	36	#5	5'-9"	---

Item	Unit	Quantity
Structure Excavation	Cu. Yd.	985
Rock Excavation for Structures	Cu. Yd.	102
Concrete Structures	Cu. Yd.	129.4
Seal Coat Concrete	Cu. Yd.	33
Reinforcement Bars, Epoxy Coated	Pound	17,140



BAR LAPS

#4	= 1'-11"
#5	= 2'-5"
#6	= 2'-10"
#7	= 3'-10"
#8	= 5'-1"
#9	= 6'-4"

Note: Unless noted otherwise.

- NOTES:**
- Order v12, v13, v14 & v15 bars full length. Cut according to Bar Cutting Diagram. Use remainder of v12, v13, v14 & v15 bars in same face of wingwalls.
 - Work this sheet with Sheets B13.

SECTION 02-00090-00-BR
LIVINGSTON COUNTY
PONTIAC, ILLINOIS

NORTH ABUTMENT WINGWALL DETAILS AND BILL OF MATERIALS

DESIGNED BY J.M.L.	Farnsworth GROUP 2700 McGraw Drive Bloomington, Illinois 61704 309-898-9436, 309-898-8771 fax	FILE NO. 24-6884
DRAWN BY D.J.M.		DATE 01-14-05
CHECKED BY M.S.W.		SHEET NO. 21 of 31