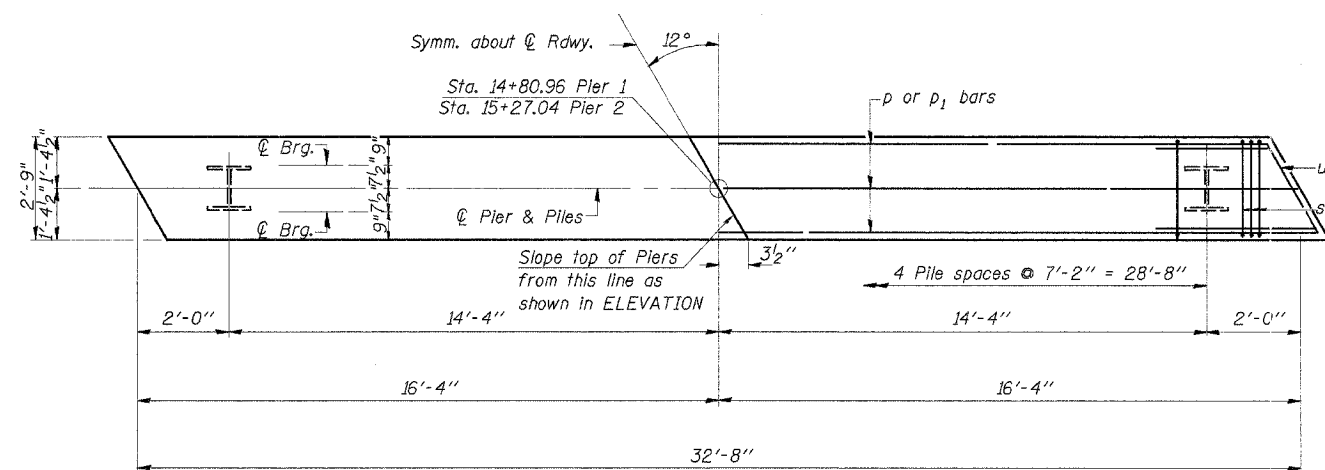
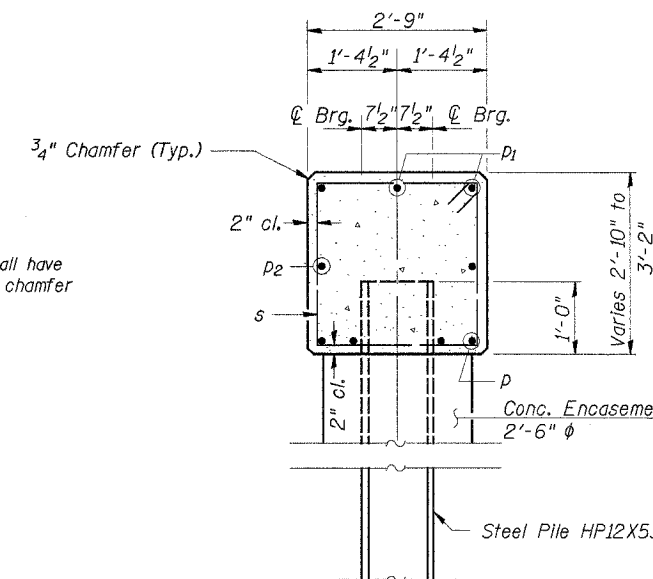


ROUTE NO.	SECTION	COUNTY	TOTAL SHEETS	SHEET NO.
T.R. 33C	01-07125-00-BR	IROQUOIS	17	10

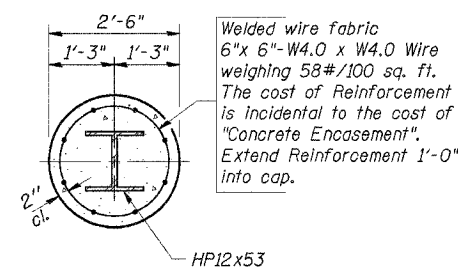
ILLINOIS PROJ. BR05-075(125)
CONTRACT NO. 87288



PLAN

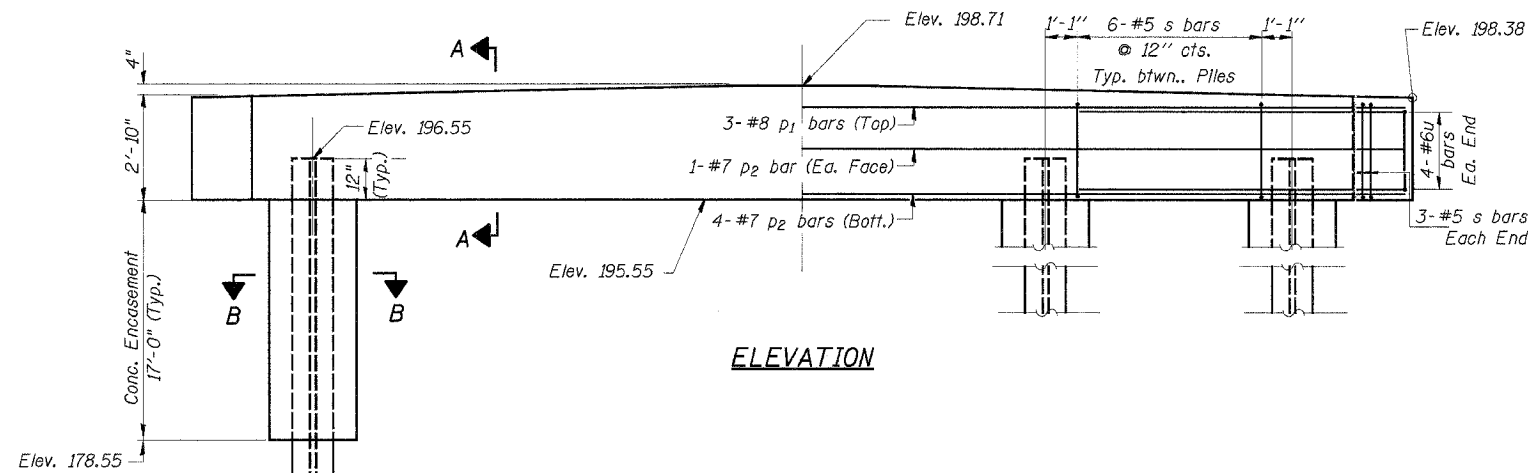


SECTION A-A
(At Right b's)



SECTION B-B

Note: All edges shall have standard 3/4" chamfer



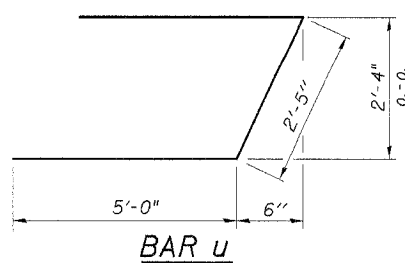
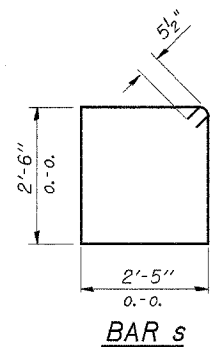
ELEVATION

BILL OF MATERIAL - 2 PIERS

BAR	NO.	SIZE	LENGTH	SHAPE
p1	6	#8	32'-4"	—
p2	12	#7	32'-4"	—
s	60	#5	10'-9"	□
u	16	#6	12'-5"	▵
Concrete Structures			Cu. Yd.	20.0
Reinforcement Bars			Pound	2,280
Steel Piles HP12X53			Foot	360
Test Pile Steel HP12X53			Each	1
Concrete Encasement			Cu. Yd.	30.9

PILE DATA

Type _____ Steel HP12X53
Capacity _____ Refusal
Est. Length _____ 40 Feet/Pile
No. Req'd (2 Piers) _____ *10
*Includes one Test Pile to be driven in a permanent location at Pier 2.



DESIGNED	FJS
CHECKED	SFM
DRAWN	KTR
CHECKED	SFM

PIERS
SECTION 01-07125-00-BR
CHEBANSE ROAD DISTRICT
IROQUOIS COUNTY
STATION 15+04

4440 ASH GROVE SPRINGFIELD, IL 62711 (217) 793-8600 oasinc@famvid.com	OZYURT AND STONE, INC. CONSULTING ENGINEERS	JOB NO.: 0230.5 FILE: PIER.DGN DATE: 05/12/04
--	---	---