

F.A.P. RTE.	SECTION	COUNTY	TOTAL SHEETS	SHEET NO.
317	***	FULTON	684	19
STA.		TO STA.		
FED. ROAD DIST. NO.		ILLINOIS FED. AID PROJECT		
***181,188BRY&188BRY-188B,188-1				

LEGEND

- ① EXISTING P. C. C. PAVEMENT
- ② EXISTING BITUMINOUS OVERLAY
- ③ EXISTING AGGREGATE SHOULDER
- ④ EXISTING P. C. C. GUTTER TYPE A OR TYPE B (MOD.)
- ⑤ EXISTING BASE COURSE WIDENING
- ⑬ PROPOSED SAW CUT (PAID FOR AS "SAW CUTTING" - FT)
- ⑭ EARTH EXCAVATION (WIDENING) (CU YD)
- ⑮ PROPOSED BIT. SURFACE REMOVAL (COLD MILLING) 1/4" ***
- ⑯ PROPOSED PAVEMENT REMOVAL (SQ YD)
- ⑰ PROPOSED STRIP REFLECTIVE CRACK CONTROL (FT)
- ⑱ PROPOSED LIME-MODIFIED SOIL (SQ YD)
- ⑲ PROPOSED SUB-BASE GRANULAR MATERIAL, TYPE B (SQ YD) OR (TONS)
- ⑳ PROPOSED SUB-BASE GRANULAR MATERIAL, TYPE C (TONS)
- ㉑ PROPOSED AGGREGATE BASE COURSE, TYPE B 8" (SQ YD)
- ㉒ PROPOSED AGGREGATE SHOULDER TYPE B 6" (TONS)
- ㉓ PROPOSED AGGREGATE SHOULDER TYPE B - VAR DEPTH (TONS)
- ㉔ PROP. TOPSOIL EXCAVATION & PLACEMENT 4" & CLASS 2A SEEDING
- ㉕ PROPOSED AGGREGATE SURFACE COURSE, TYPE A 8" (TONS)
- ㉖ PROPOSED BITUMINOUS SHOULDER 6 1/2" (SQ YD)
- ㉗ PROPOSED BITUMINOUS SHOULDER 6" (SQ YD)
- ㉘ PROPOSED BIT. CONC. BINDER COURSE 8" (SQ YD)
- ㉙ PROPOSED BIT. CONC. BINDER COURSE 9" (SQ YD)
- ㉚ PROPOSED POLYMERIZED BIT. CONC. BINDER COURSE 2 1/4" (TONS)
- ㉛ PROPOSED POLYMERIZED BIT. CONC. SURFACE COURSE 2" SUPERPAVE, MIX "D", N70 (TONS)
- ㉜ PROPOSED POLYMERIZED BIT. CONC. SURFACE COURSE 1 1/2" SUPERPAVE, MIX "D", N70 (TONS)
- ㉝ PROPOSED P. C. C. BASE COURSE 7" (SQ YD)
- ㉞ PROPOSED BIT. SURFACE TREATMENT, CLASS A-3
- ㉟ PROPOSED GUARDRAIL AGGREGATE EROSION CONTROL (CA 1 - TONS)
- ㊱ PROPOSED STEEL PLATE BEAM GUARDRAIL, TYPE A
- ㊲ PROPOSED CABLE ROAD GUARD, SINGLE STRAND (PER STD 636001)
- ㊳ PROPOSED COMB. CONC. CURB & GUTTER TYPE M 4.06
- ㊴ PROPOSED GUTTER TYPE A (MODIFIED)
- ㊵ PROPOSED PAVED DITCH TYPE B-22 (STD 606401)
- ㊶ PROPOSED PAINT PAVEMENT MARKING - 4" WHITE
- ㊷ PROPOSED PAINT PAVEMENT MARKING - 4" YELLOW
- ㊸ NON-WOVEN GEOTECHNICAL FABRIC PER 1080.02 (INCL. IN COST OF ㉜)
- ㊹ PAVEMENT FABRIC
- ㊺ GEOTECHNICAL FABRIC FOR GROUND STABILIZATION (SQ YD)

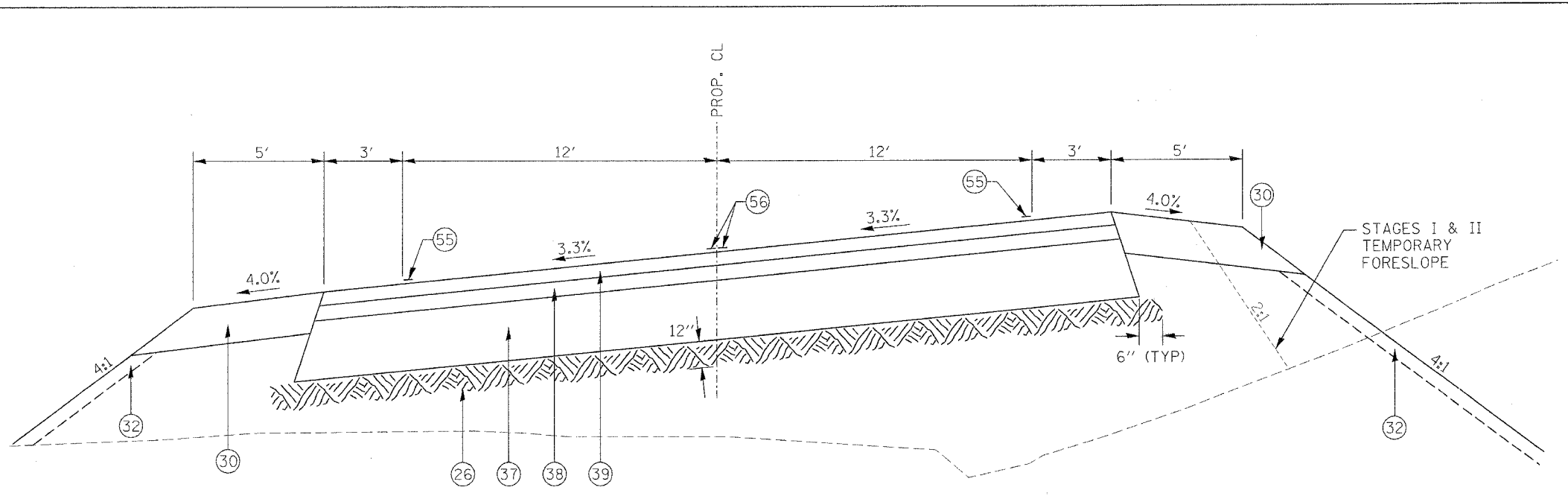
REVISIONS	
NAME	DATE

*** SEE SPECIAL PROVISIONS
1/4" IS AT CL

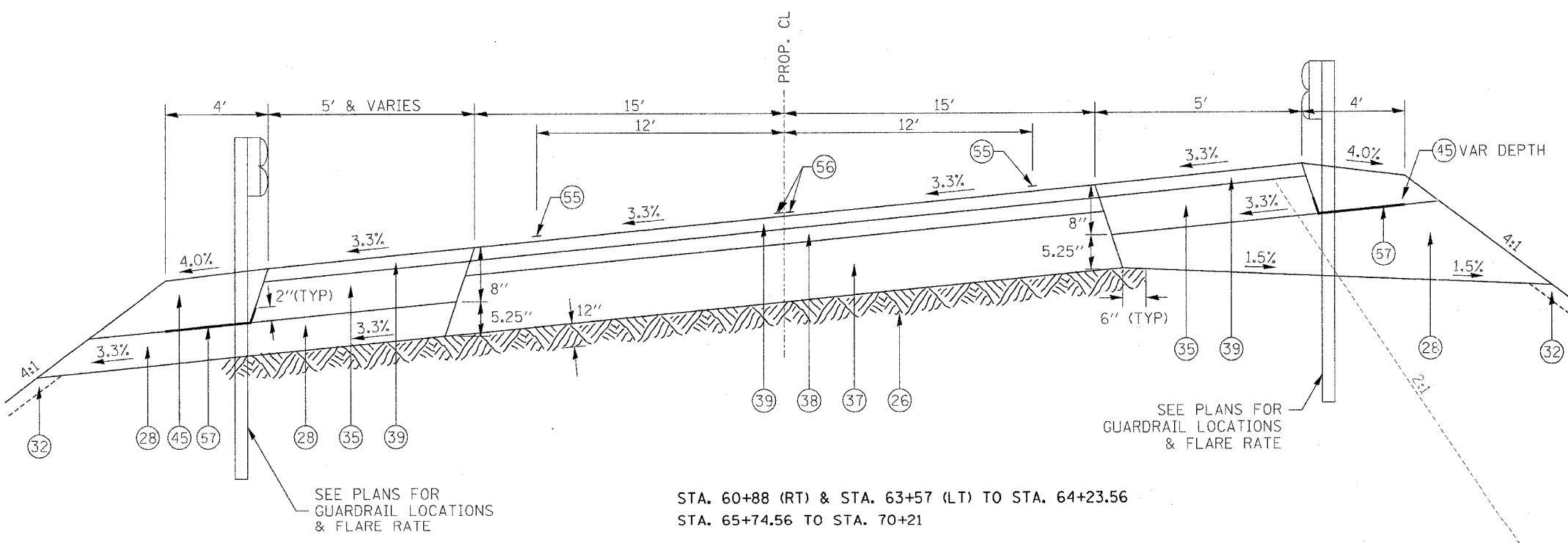
ILLINOIS DEPARTMENT OF TRANSPORTATION

**TYPICAL SECTION
FAP 317 (US 24)**

VERT. SCALE: HORIZ. DATE: DRAWN BY: CHECKED BY:



STA. 59+59.68 TO STA. 60+88 (RT) & 63+57 (LT)



STA. 60+88 (RT) & STA. 63+57 (LT) TO STA. 64+23.56
STA. 65+74.56 TO STA. 70+21

PLOT DATE = 4/25/2005
 FILE NAME = S:\GEN\DRWF\15128\PLNS\SO\40D\9\88753\Phase II\Final\Typical Sections\us24\typical19.dgn
 DATE = 5/6/2005 / IN.
 REFERENCE = SHEET