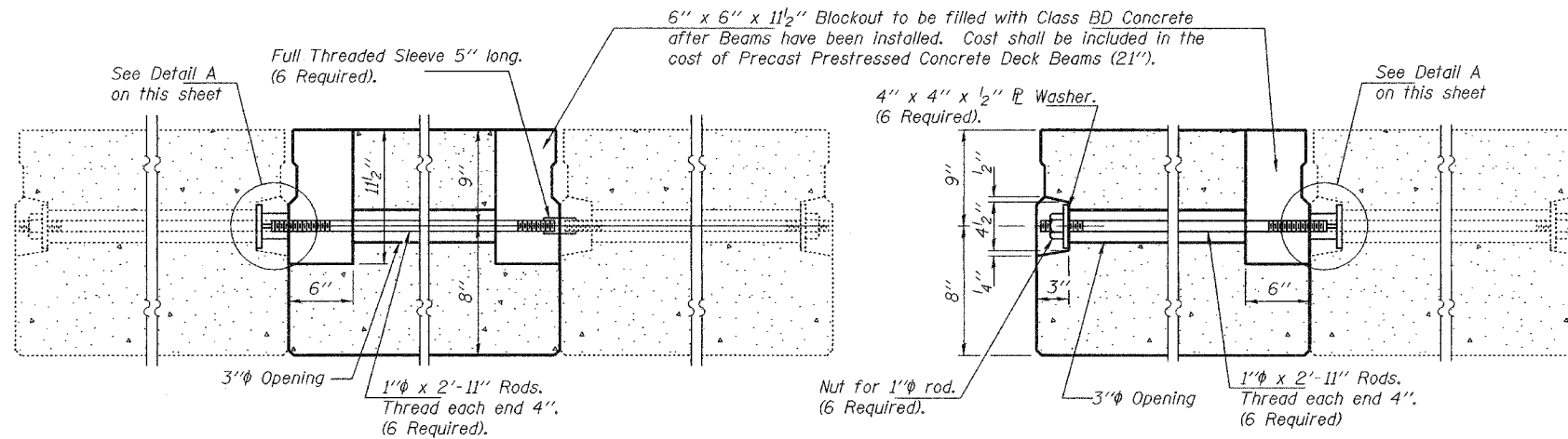


STATE OF ILLINOIS
DEPARTMENT OF TRANSPORTATION

ROUTE NO.	SECTION	COUNTY	TOTAL SHEETS	SHEET NO.
		FULTON		119
FED. ROAD DIST. NO. 7	ILLINOIS	FED. AID PROJECT-		

SHEET NO. 3
5 SHEETS

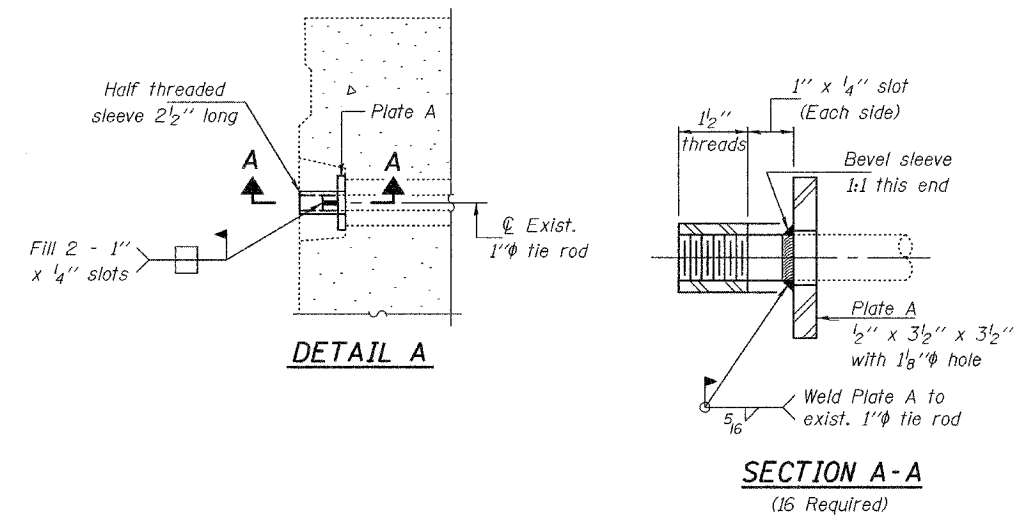
Contract Number: 88753



TRANSVERSE TIE ASSEMBLY
(Typ. for single interior beam replacement)

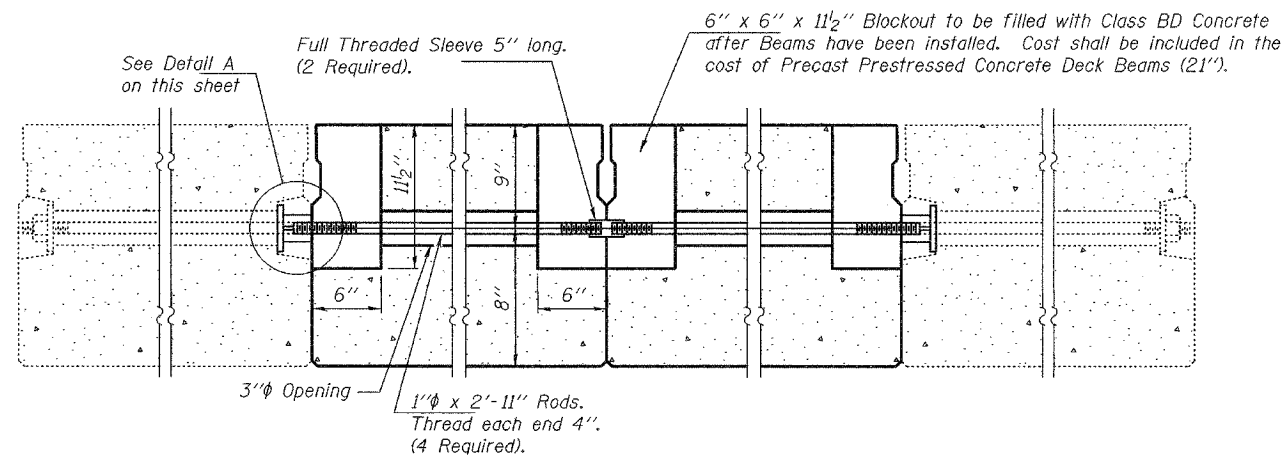
TRANSVERSE TIE ASSEMBLY
(Typ. for exterior beam replacement)

Note:
Existing grout covering existing nuts for transverse tie assemblies shall be removed. Existing rods shall be cut as detailed on sheet 1 of 5. Existing rods shall then be removed through the holes in exterior beam. Cost included with Removal of Existing PPC Deck Beams.



DETAIL A

SECTION A-A
(16 Required)



TRANSVERSE TIE ASSEMBLY
(Typ. for dual beam replacement)

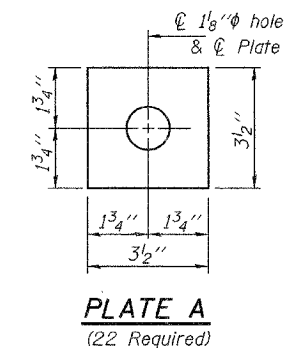


PLATE A
(22 Required)

DESIGNED	MJT
CHECKED	SJB
DRAWN	baliva
CHECKED	MJT SJB

MAY 17, 2005

EXAMINED *John A. Morris*
ENGINEER OF STRUCTURAL SERVICES

PASSED *Ralph E. Anderson*
ENGINEER OF BRIDGES AND STRUCTURES

REPAIR DETAILS
FAP RT. 315
FULTON COUNTY
SN 029-0004