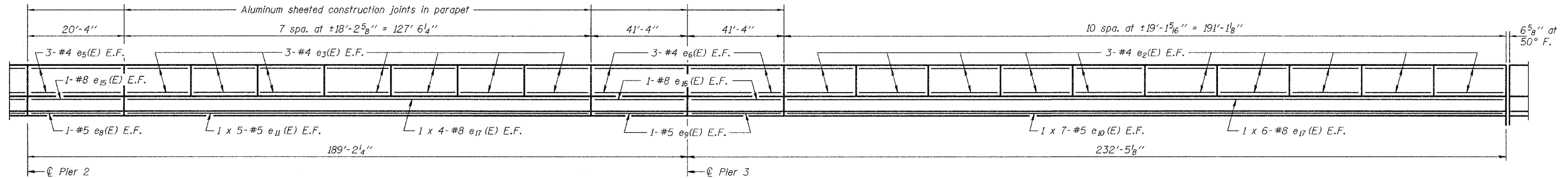
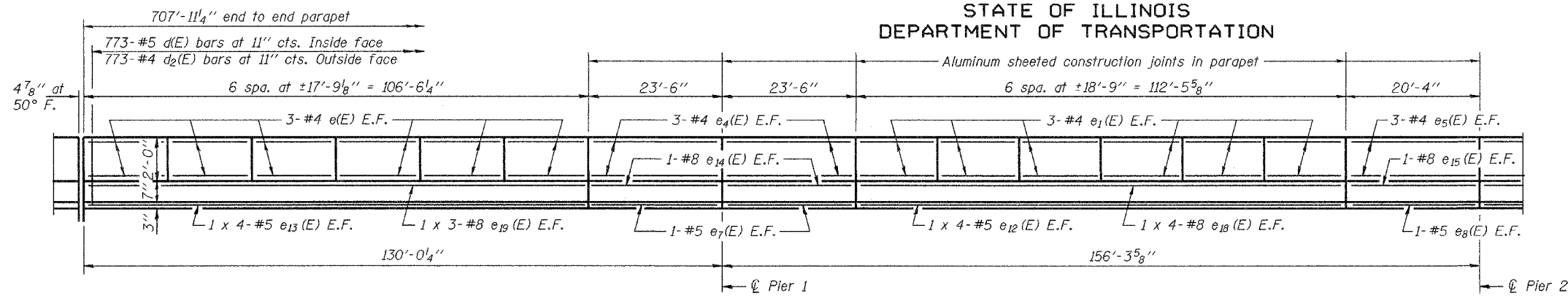
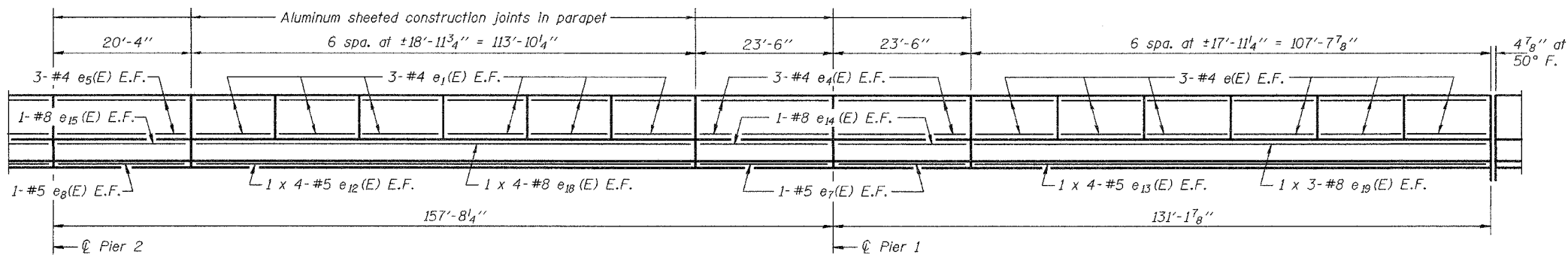
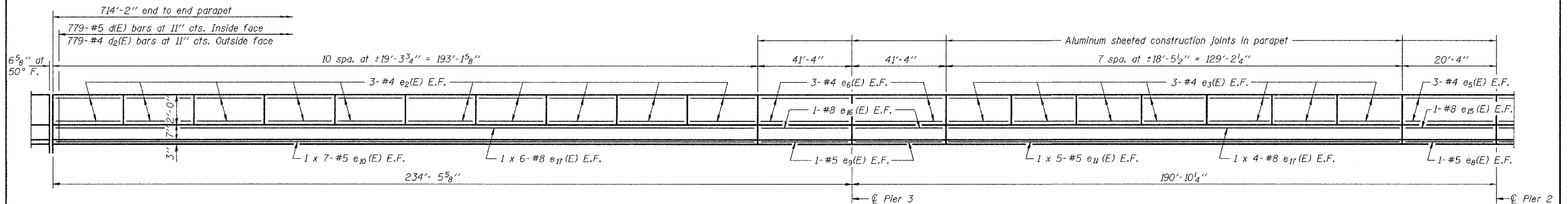


STATE OF ILLINOIS  
DEPARTMENT OF TRANSPORTATION

ROUTE NO.	SECTION	COUNTY	SHEETS	SHEET NO. 12
FAP 315	(18BRY-1)BR	FULTON	176	46 SHEETS
FED. ROAD DIST. NO. 7	ILLINOIS	FED. AID PROJECT-	Contract #88753	



INSIDE ELEVATION OF EAST PARAPET  
(Looking east)



INSIDE ELEVATION OF WEST PARAPET  
(Looking west)

Notes: Reinforcement bars designated (E) shall be epoxy coated.  
Bars indicated thus 1 x 4-#5 etc. indicates 1 line of bars with 4 lengths per line.  
For bar details and Bill of Material, see sheet 11 of 46.

DESIGNED	FT
CHECKED	SMR
DRAWN	h.t. parsons
CHECKED	FT/SMR

May 16, 2005  
EXAMINED *Thomas J. Demagala*  
PASSED *Ralph E. Anderson*  
ENGINEER OF BRIDGES AND STRUCTURES

MIN. PARAPET  
BAR LAPS  
#4 bar = 1'-4"  
#5 bar = 1'-8"  
#8 bar = 3'-5"

SUPERSTRUCTURE DETAILS  
F.A.P. RTE. 315 - SEC. (18BRY-1)BR  
FULTON COUNTY  
STATION 74+09.000  
STRUCTURE NO. 029-0068