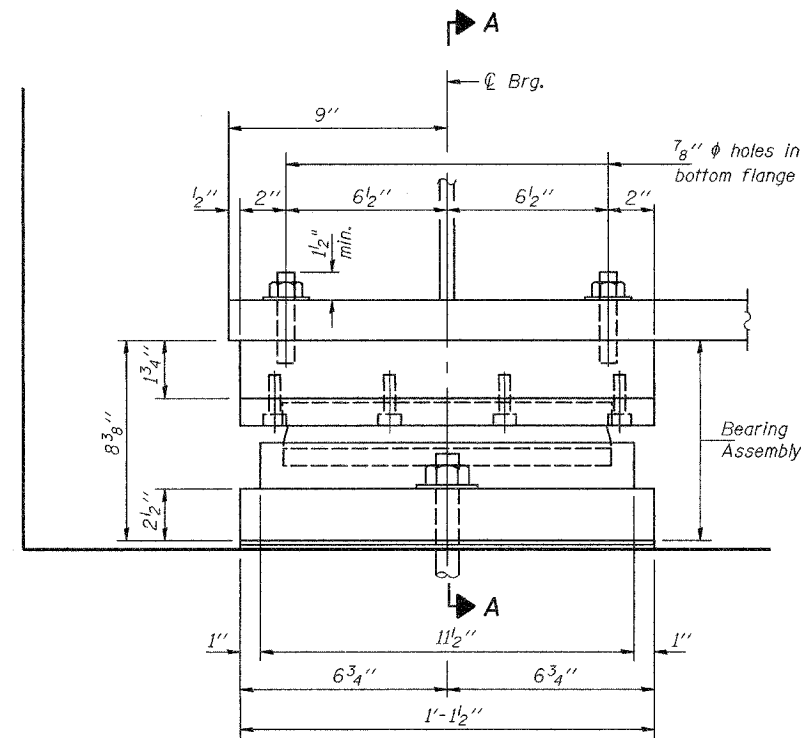


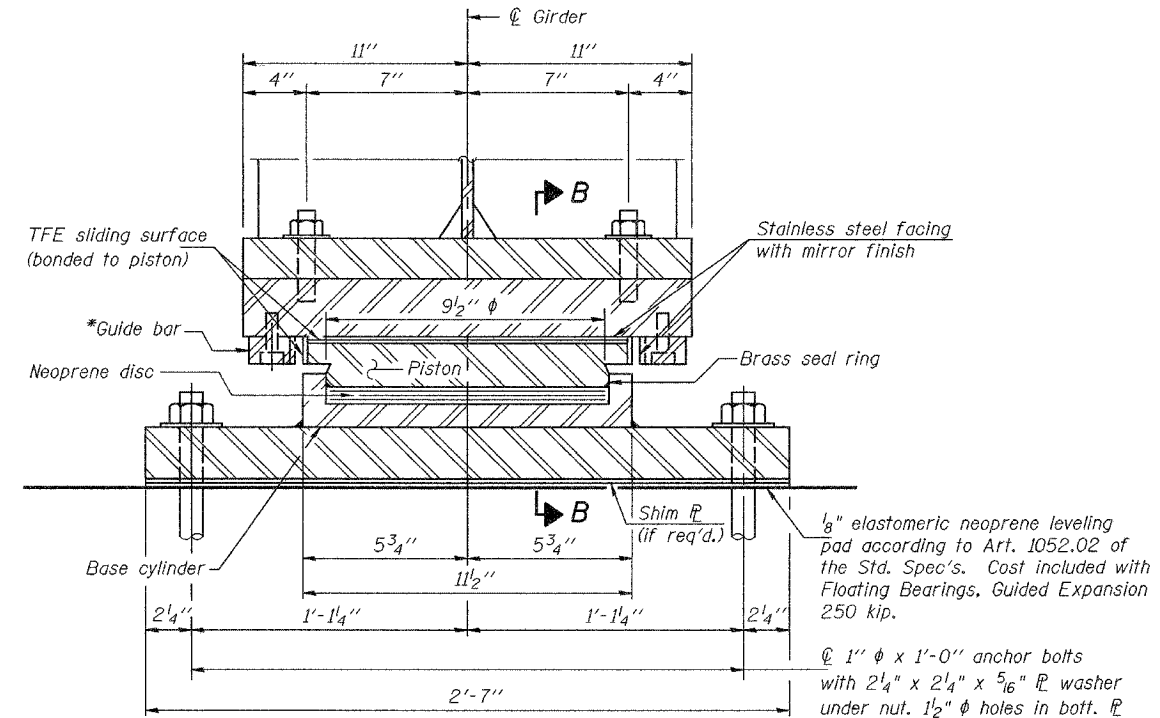
STATE OF ILLINOIS
DEPARTMENT OF TRANSPORTATION

ROUTE NO.	SECTION	COUNTY	TOTAL SHEETS	SHEET NO.
FAP 315	(18BRY-1)BR	FULTON		46
FED. ROAD DIST. NO. 7	BILLINGS	FED. AID PROJECT-		

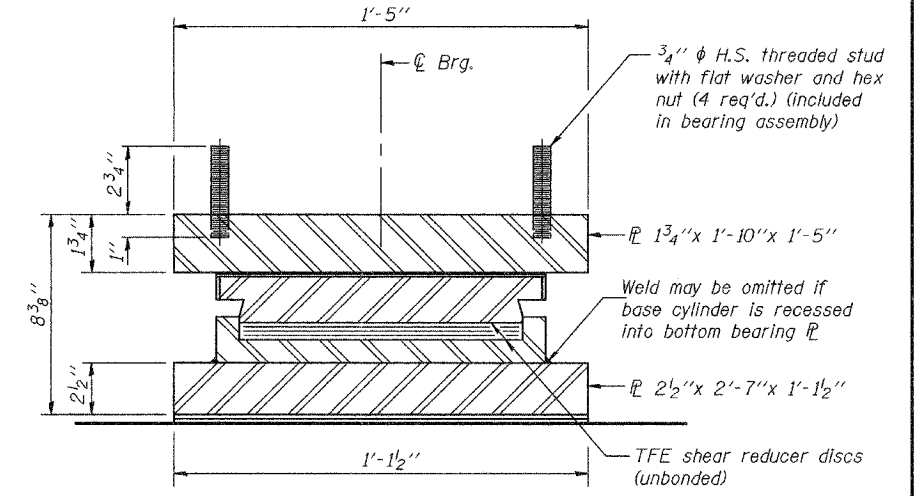
Contract #88753



ELEVATION AT S. ABUT.



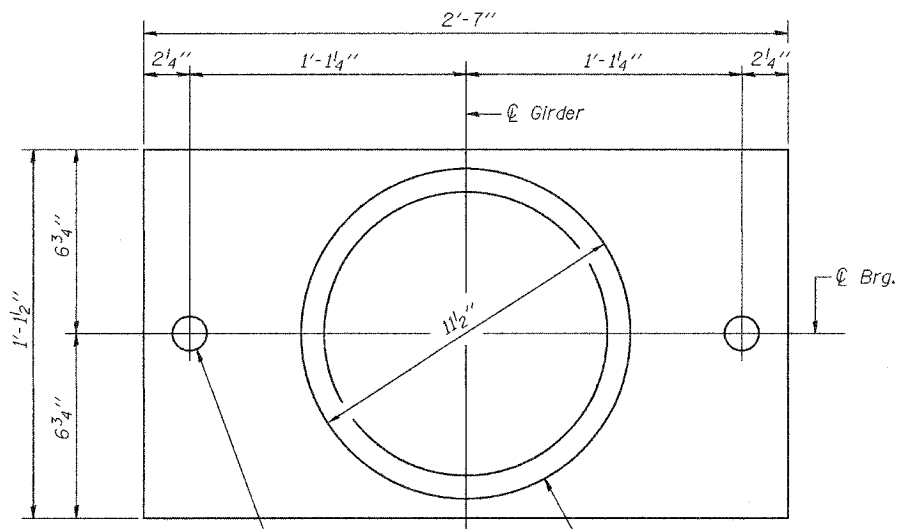
SECTION A-A



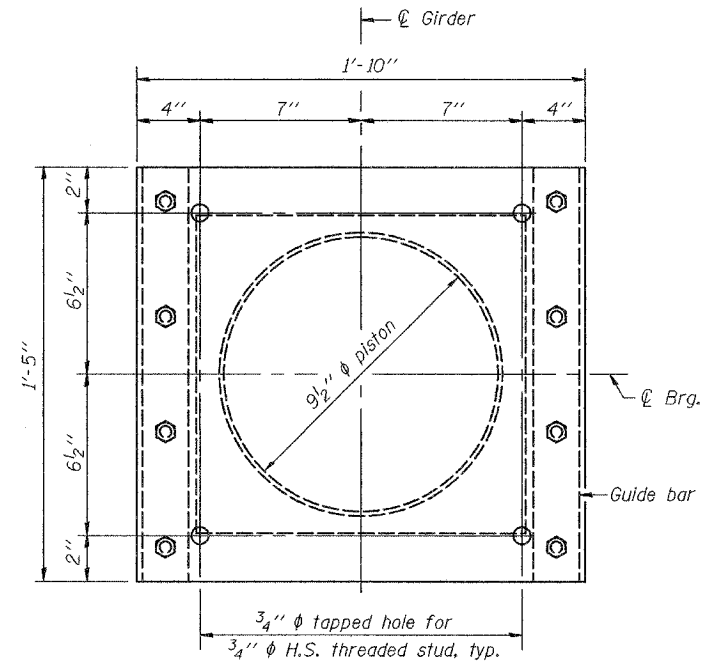
SECTION B-B
(Guide bar omitted for clarity.)

GUIDED EXPANSION FLOATING BEARING

*As alternates to the bolted connection shown, the guide bars may be connected to the top bearing plate by groove welds or the guide bars and top bearing plate may be fabricated as a single piece.



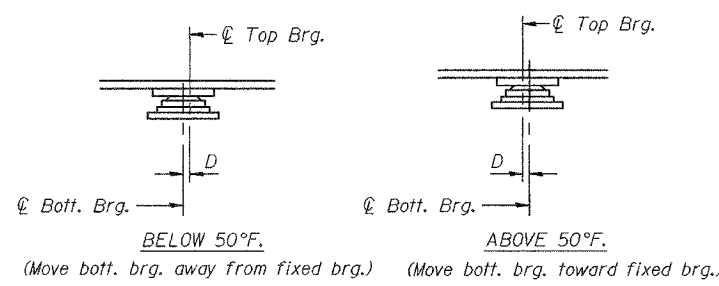
BOTTOM BEARING P AND BASE CYLINDER PLAN



TOP BEARING P AND PISTON PLAN

BEARING DATA	
Vertical design load	231 kip
Total required movement	5 7/8"

Notes: The plates of the Bearing Assembly shall be AASHTO M270, Grade 50.
For anchor bolt installation details, see sheet 30 of 46.



SETTING ANCHOR BOLTS AT EXP. BRG.

D=1/8" per each 100' of expansion for every 15° temp. change from the normal temp. of 50°F.

BILL OF MATERIAL

Item	Unit	Total
Floating Bearings, Guided Expansion 250 kip	Each	6

BEARING DETAILS - S. ABUT.
F.A.P. RTE. 315 - SEC. (18BRY-1)BR
FULTON COUNTY
STATION 74+09.000
STRUCTURE NO. 029-0068

DESIGNED	MJT	EXAMINED	Thomas J. Demagala
CHECKED	DPN	PASSED	Ralph E. Anderson
DRAWN	h.t. parsons		
CHECKED	MJT/DPN		

May 16, 2005