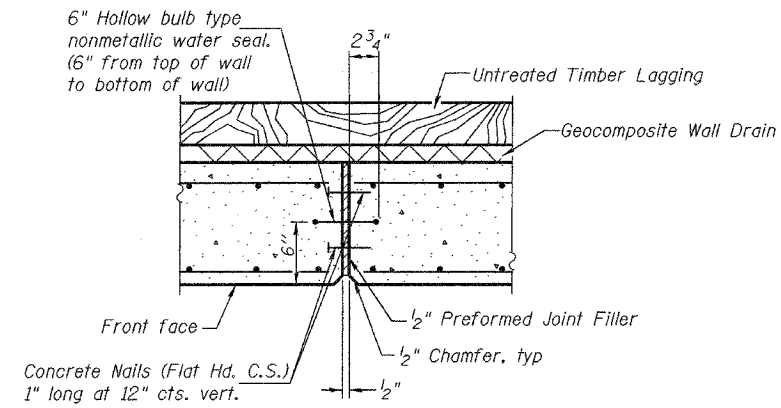


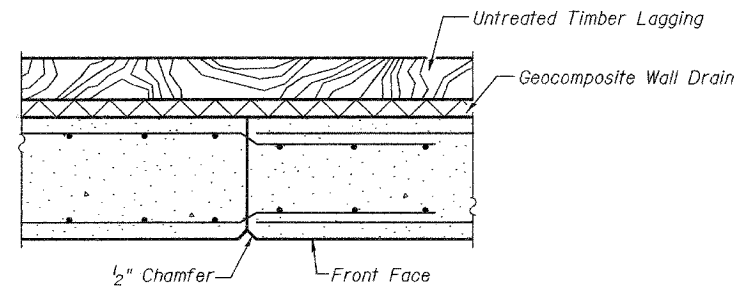
STATE OF ILLINOIS
DEPARTMENT OF TRANSPORTATION

ROUTE NO. F.A.P. 315	SECTION #	COUNTY FULTON	TOTAL SHEETS 9	SHEET 7	SHEET NO. 7 9 SHEETS
FED. ROAD DIST. NO. 7		ILLINOIS FED. AID PROJECT-			

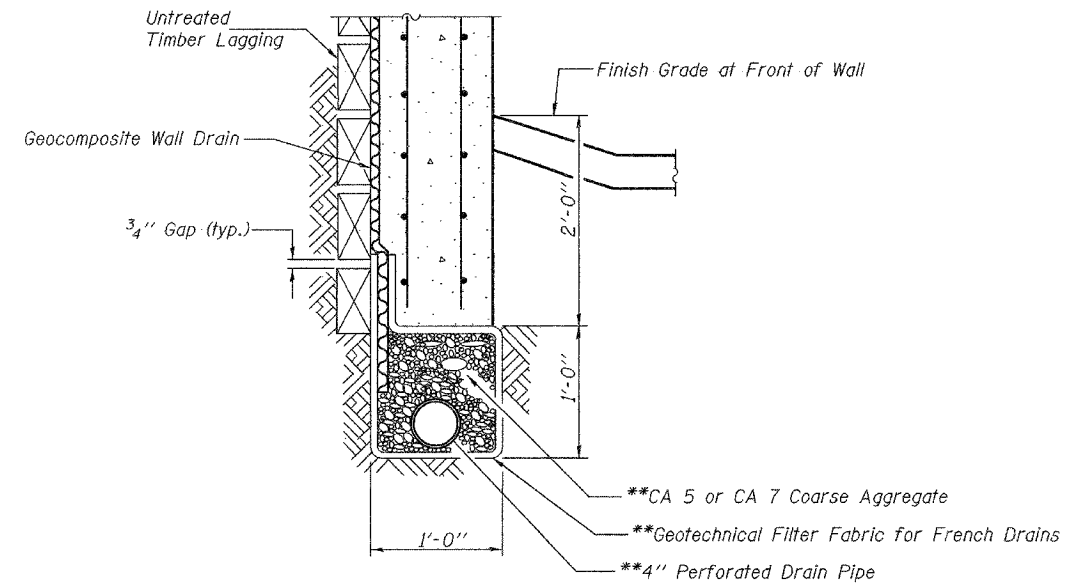
Contract #88753
*18RS-2, 19RS-3 (18BRY & 18BRY-1) BR, 18B-1



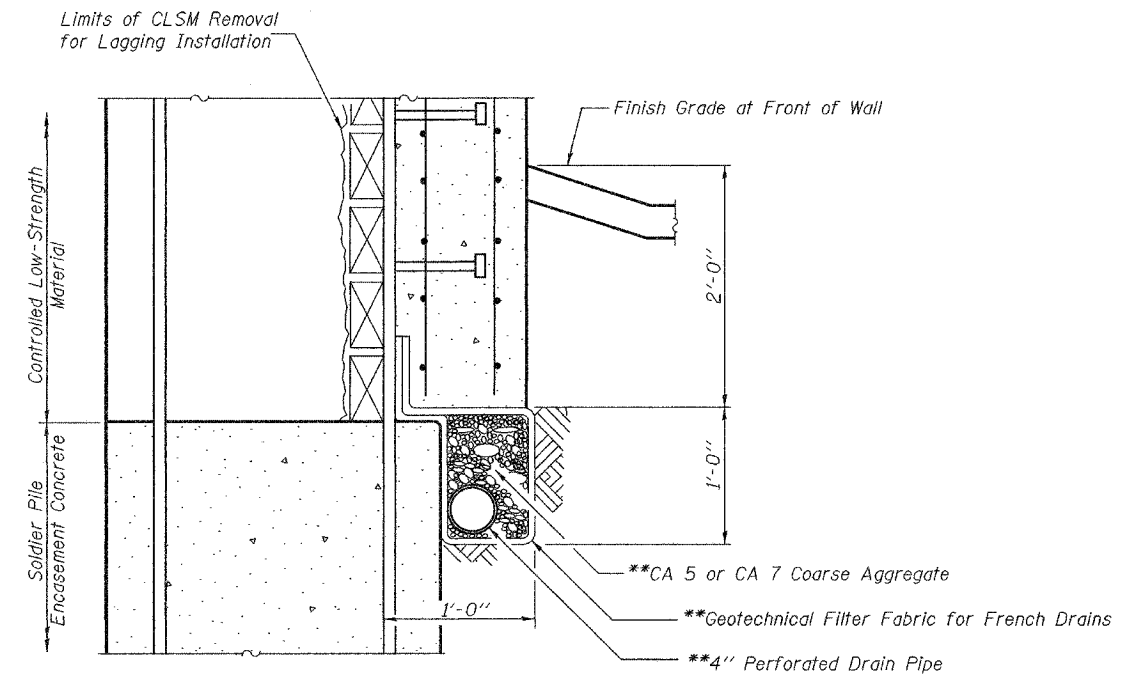
EXPANSION JOINT DETAIL



CONSTRUCTION JOINT DETAIL



PIPE UNDERDRAIN BETWEEN SOLDIER PILES



PIPE UNDERDRAIN AT SOLDIER PILES

**Cost included with Pipe Underdrains for Structures 4".

DESIGNED	DFZ & SMR
CHECKED	SMR & SEM
DRAWN	BECKY M. CURRY
CHECKED	DFZ, SMR & SEM

APPROVED	April 28, 2005
EXAMINED	Thomas J. Domagalaki ENGINEER OF BRIDGE DESIGN
PASSED	Ralph E. Anderson ENGINEER OF BRIDGES AND STRUCTURES

SOLDIER PILE WALL DETAILS
F.A.P. RTE. 315 - SEC. 18RS-2, 19RS-3,
(18BRY & 18BRY-1) BR, 18B-1
FULTON COUNTY
LT. STATION 79+60 to 81+80
STRUCTURE NO. 029-W500