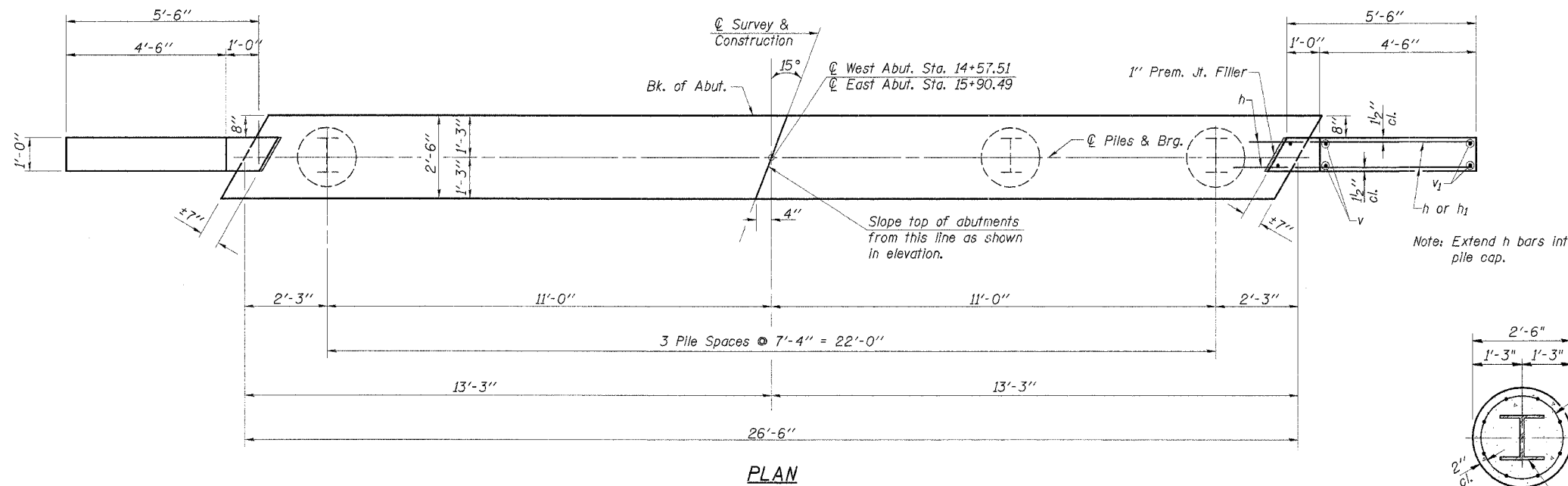
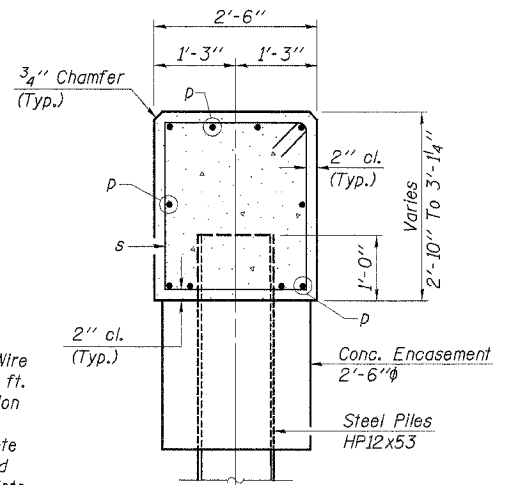


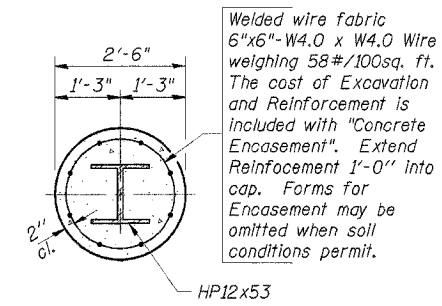
ROUTE NO.	SECTION	COUNTY	TOTAL SHEETS	SHEET NO.
T.R. 66	04-04125-00-BR	PIATT	15	10
ROAD DIST.	ILLINOIS		GOOSE CREEK	
CONTRACT NO. 91309				



PLAN



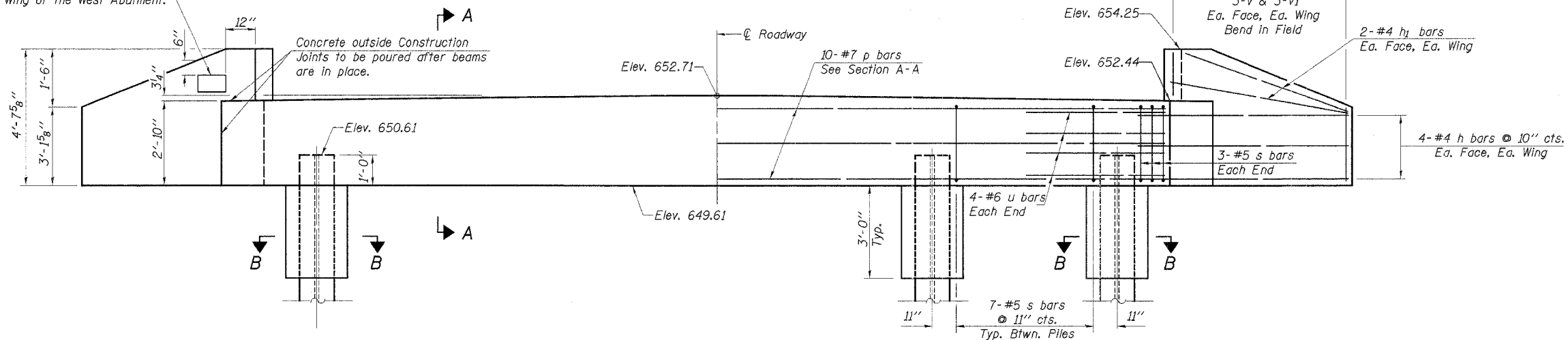
SECTION A-A



SECTION B-B

Welded wire fabric 6"x6"-W4.0 x W4.0 Wire weighing 58#/100sq. ft. The cost of Excavation and Reinforcement is included with "Concrete Encasement". Extend Reinforcement 1'-0" into cap. Forms for Encasement may be omitted when soil conditions permit.

Name Plate shall be placed on the outside at the face of the South Wing of the West Abutment.



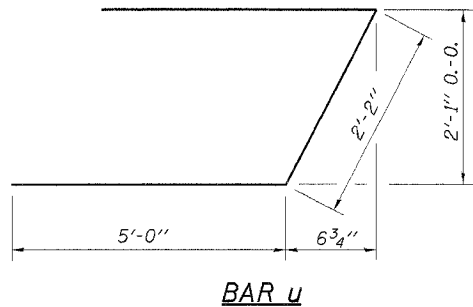
ELEVATION

**2 ABUTMENTS
BILL OF MATERIAL**

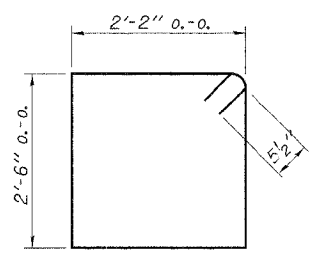
Bar	No.	Size	Length	Shape
h	32	#4	7'-6"	—
h ₁	16	#4	5'-3"	—
p	20	#7	26'-2"	—
s	54	#5	10'-3"	□
u	16	#6	12'-2"	▤
v	24	#4	4'-3"	—
v ₁	24	#4	3'-9"	—
Concrete Structures			Cu. Yd.	17.7
Reinforcement Bars			Pound	2290
Name Plates			Each	1
Test Pile Steel				
HP12x53			Each	1
Steel Piles HP12x53			Foot	210
Concrete Encasement			Cu. Yd.	4.4

PILE DATA

Type..... Steel HP12x53
 No. Req'd. (2 Abutts.)..... *8
 Design Capacity..... 34 Tons/Pile
 Drive Piles To..... 51 Tons/Pile
 Est. Length..... 30 Feet/Pile
 *Includes 1 Test Pile to be driven in a permanent location at the West Abutment.
 Test Pile to be driven to 77 Ton/Pile



BAR u



BAR s

DESIGNED	S.F.M.
CHECKED	F.J.S.
DRAWN	S.A.P. & J.P.S.
CHECKED	F.J.S.

ABUTMENTS

SECTION 04-04125-00-BR
 GOOSE CREEK ROAD DISTRICT
 PIATT COUNTY
 STATION 15+24

4440 ASH GROVE SPRINGFIELD, IL 62711 (217) 793-8800 ossinc@amvic.com	OZYURT AND STONE, INC. CONSULTING ENGINEERS	JOB NO.: 0324 FILE: 0324ABTLDGN DATE: 01-05-05
-------------------------------------------------------------------------------	-------------------------------------------------------	------------------------------------------------------