

TR	SECTION	COUNTY	TOTAL SHEETS	SHEET NO.
128	99-05117-00-BR	SHELBY	15	2
FED. ROAD DIST. NO.		ILLINOIS	FED. AID PROJECT	

SUMMARY OF QUANTITIES

CODE NO.	ITEM	UNIT	QUANTITY
20100110	TREE REMOVAL (6 TO 15 UNITS DIAMETER)	UNIT	35
20100210	TREE REMOVAL (OVER 15 UNITS DIAMETER)	UNIT	32
• 20200100	EARTH EXCAVATION	CY	607
20300100	CHANNEL EXCAVATION	CY	1010
20400800	FURNISHED EXCAVATION	CY	1358
• 25000200	SEEDING, CLASS 2	ACRE	1.1
25000400	NITROGEN FERTILIZER NUTRIENTS	POUND	99
25000500	PHOSPHOURS FERTILIZER NUTRIENTS	POUND	99
25000600	POTASSIUM FERTILIZER NUTRIENTS	POUND	99
• 25100115	MULCH METHOD 2	ACRE	1.1
28000250	TEMPORARY EROSION CONTROL SEEDINGS	POUND	300
28000300	TEMPORARY DITCH CHECKS	EACH	8
28000400	PERIMETER EROSION BARRIER	FOOT	300
28000500	INLET AND PIPE PROTECTION	EACH	3
• 28100207	STONE DUMPED RIPRAP, CLASS A4	TON	354
• 28102600	STONE RIPRAP DITCH	TON	120
28200200	FILTER FABRIC FOR USE WITH RIPRAP	SQ YD	389
• 40200800	AGGREGATE SURFACE COURSE, TYPE B	TON	888
• 50100100	REMOVAL OF EXISTING STRUCTURES	EACH	1
50200100	STRUCTURE EXCAVATION	CY	154
50300225	CONCRETE STRUCTURES	CY	89.8
• 50400405	PRECAST PRESTRESSED CONCRETE DECK BEAMS (21" DEPTH)	SQ FT	3426
50800105	REINFORCEMENT BARS	POUND	7600
50900205	STEEL RAILING, TYPE S1	FOOT	289
X000194	FURNISHING METAL PILE SHELLS	FOOT	560
51202600	DRIVING AND FILLING SHELLS	FOOT	560
51203200	TEST PILE METAL SHELLS	EACH	4
51204315	CONCRETE ENCASEMENT	CY	2.2
51500100	NAME PLATES	EACH	1
54200640	PIPE CULVERTS, TYPE 1, CORRUGATED STEEL OR ALUMINUM CULVERT PIPE 15"	FOOT	88
54200643	PIPE CULVERTS, TYPE 1, CORRUGATED STEEL OR ALUMINUM CULVERT PIPE 18"	FOOT	40
• X5020501	UNDERWATER STRUCTURE EXCAVATION PROTECTION LOCATION 1	EACH	1
• X5020502	UNDERWATER STRUCTURE EXCAVATION PROTECTION LOCATION 2	EACH	1
• SEE SPECIAL PROVISIONS			

GENERAL NOTES

WHERE SECTION OR SUBSECTION MONUMENTS ARE ENCOUNTERED, THE ENGINEER SHALL BE NOTIFIED BEFORE SUCH MONUMENTS ARE REMOVED. THE CONTRACTOR SHALL PROTECT AND CAREFULLY PRESERVE ALL PROPERTY MARKS AND MONUMENTS UNTIL THE OWNER, AN AUTHORIZED SURVEYOR OR AGENT HAS WITNESSED OR OTHERWISE REFERENCED THEIR LOCATION.

THE CONTRACTOR SHALL CONSULT WITH THE ENGINEER IN REGARD TO THE EXACT LENGTHS OF PIPE CULVERTS PRIOR TO ORDERING THESE ITEMS.

EXISTING CMP CULVERTS TO BE REMOVED SHALL BE INCLUDED IN THE COST OF EARTH EXCAVATION.

IT IS THE CONTRACTOR'S RESPONSIBILITY TO VERIFY ALL DIMENSIONS AND CONDITIONS EXISTING IN THE FIELD PRIOR TO CONSTRUCTION AND ORDERING MATERIALS.

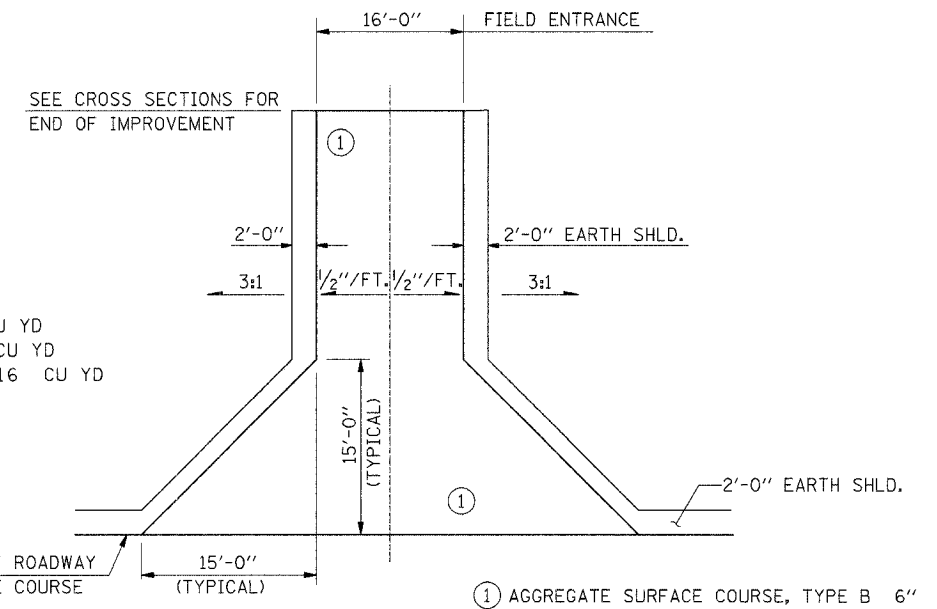
ALL DISTURBED EARTH SURFACES WITHIN THE LIMITS OF THE RIGHT-OF-WAY AND EASEMENTS SHALL BE SEEDDED AS DIRECTED BY THE ENGINEER.

EARTHWORK SUMMARY

EARTH EXCAVATION = 607 CU YD
 CHANNEL EXCAVATION = 1,010 CU YD
 STRUCTURE EXCAVATION = 154 CU YD
 TOTAL FILL REQ'D. = 2,434 CU YD (IN PLACE)

•• ESTIMATE OF FILL FROM EARTH EXCAVATION = 455 CU YD
 ••• ESTIMATE OF FILL FROM CHANNEL EXCAVATION = 505 CU YD
 •• ESTIMATE OF FILL FROM STRUCTURE EXCAVATION = 116 CU YD
 FURNISHED EXCAVATION REQUIRED = 1358 CU YD

•• 25% SHRINKAGE FACTOR APPLIED
 ••• 50% SHRINKAGE FACTOR APPLIED



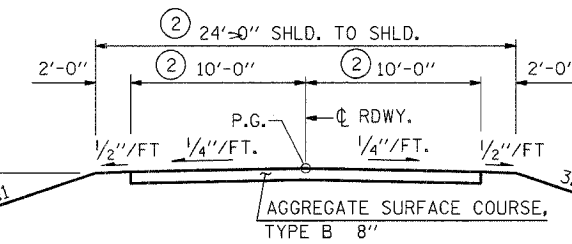
ESTIMATED QUANTITIES

ITEM	RATE OF APPLICATION	QUANTITIES
SEEDING CLASS 2	PER ART. 250.07	= 1.1 ACRES
NITROGEN FERTILIZER NUTRIENTS	= 90 LBS./ACRE	= 99 POUNDS
PHOSPHORUS FERTILIZER NUTRIENTS	= 90 LBS./ACRE	= 99 POUNDS
POTASSIUM FERTINIZER NUTRIENTS	= 90 LBS./ACRE	= 99 POUNDS
MULCH METHOD 2	= 2 TONS/ACRE	= 1.1 ACRE

THE SEEDING MIXTURE SHALL CONFORM TO ROADSIDE MIXTURE TYPE 2, DURING THE PERIOD BETWEEN NOVEMBER 1, AND DECEMBER 31, THE CONTRACTOR SHALL SUBSTITUTE 10 POUNDS OF PERENNIAL RYE FOR 48 POUNDS OF OATS, SPRING.

FIELD ENTRANCE DETAIL

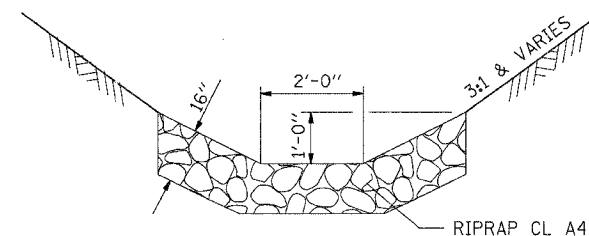
② TRANSITION FROM EXISTING ROADWAY WIDTH AT STA 6+00 TO PROPOSED WIDTH AT STA 6+65. TRANSITION FROM PROPOSED WIDTH AT STA 14+28 TO EXISTING WIDTH AT STA 15+00.



PROPOSED TYPICAL SECTION

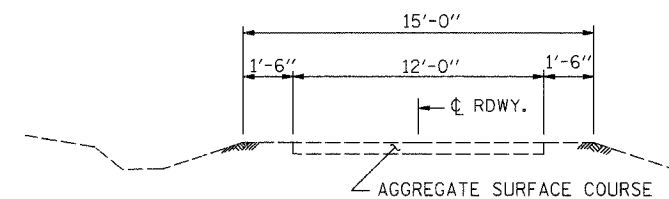
T.R. 128 DESIGN ADT < 100
 STA. 6+00 TO STA. 15+00

THE PROPOSED EARTHWORK SHALL BE CONSTRUCTED AND COMPACTED PRIOR TO BEING CORED OUT FOR CONSTRUCTION OF THE AGGREGATE SURFACE COURSE.



RIP-RAP DITCH

(NO BEDDING OR FILTER FABRIC)
 LEFT STA. 14+00 TO LEFT STA. 15+00
 RIGHT STA. 14+00 TO RIGHT STA. 15+00



EXISTING TYPICAL SECTION