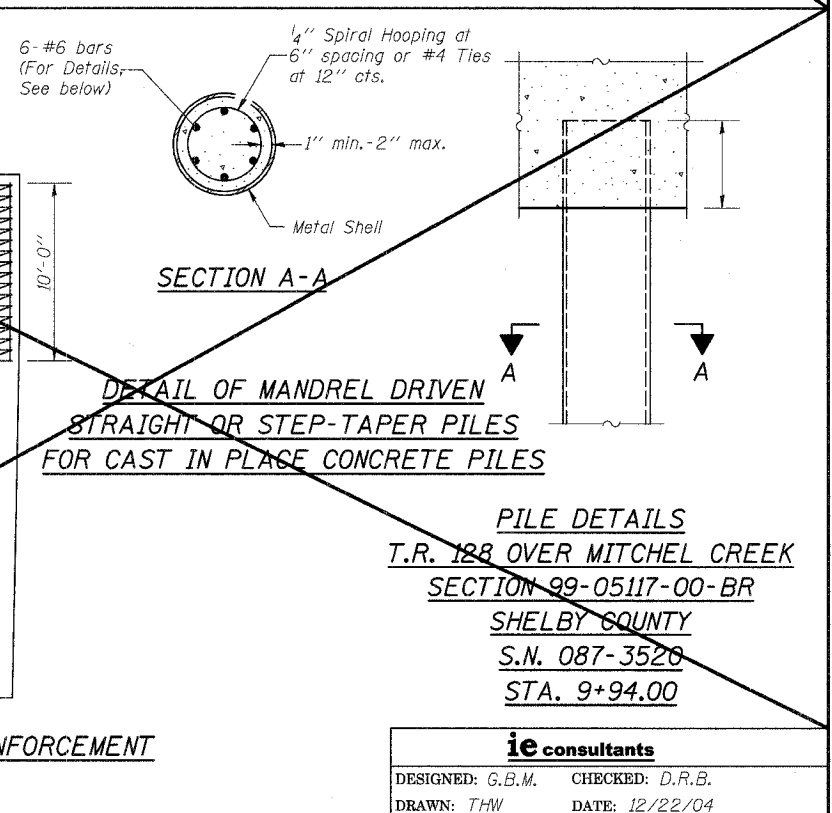
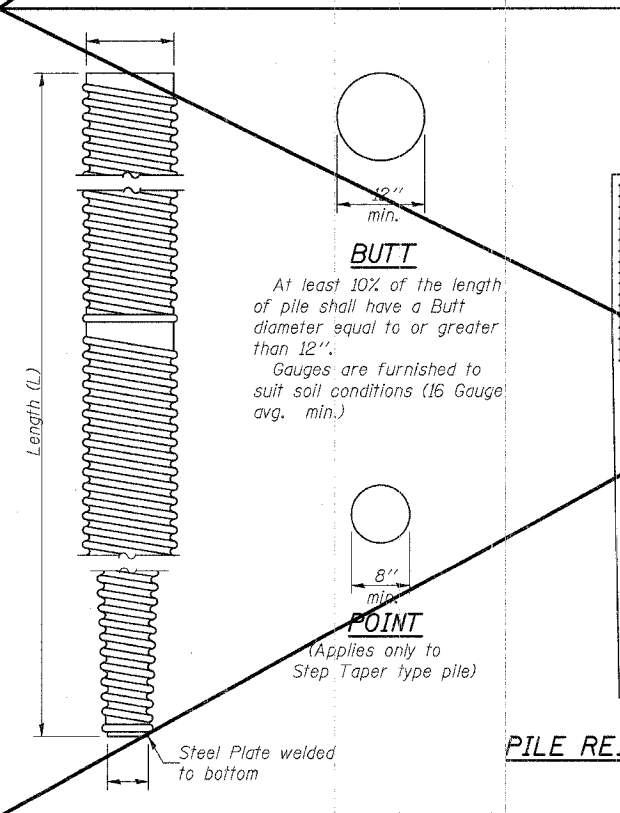
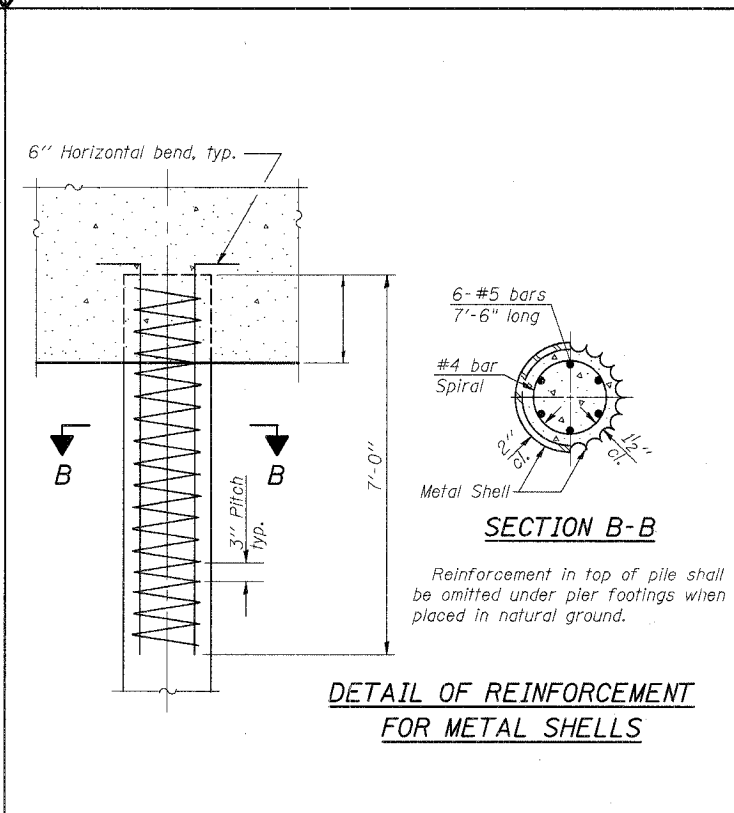
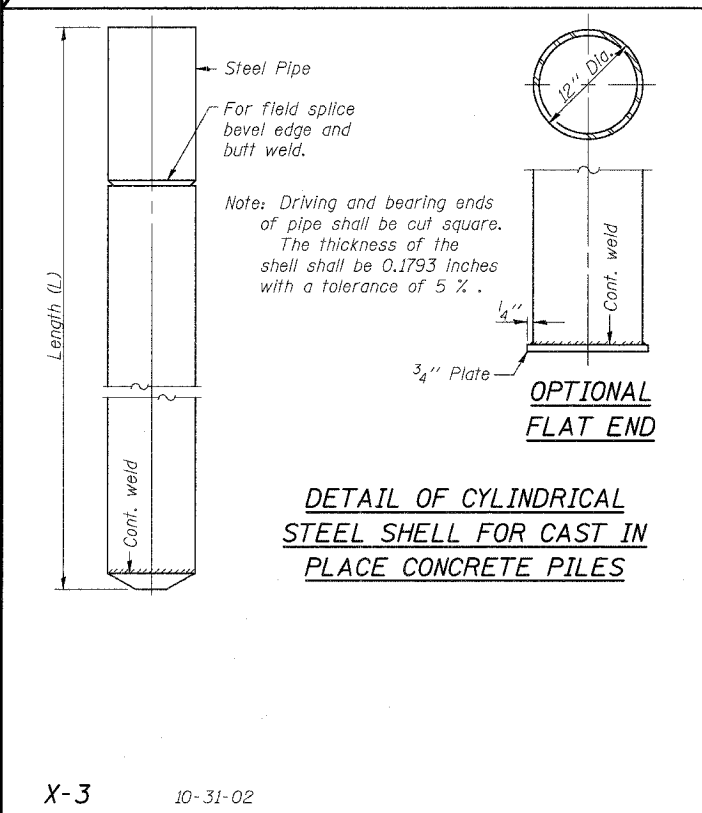
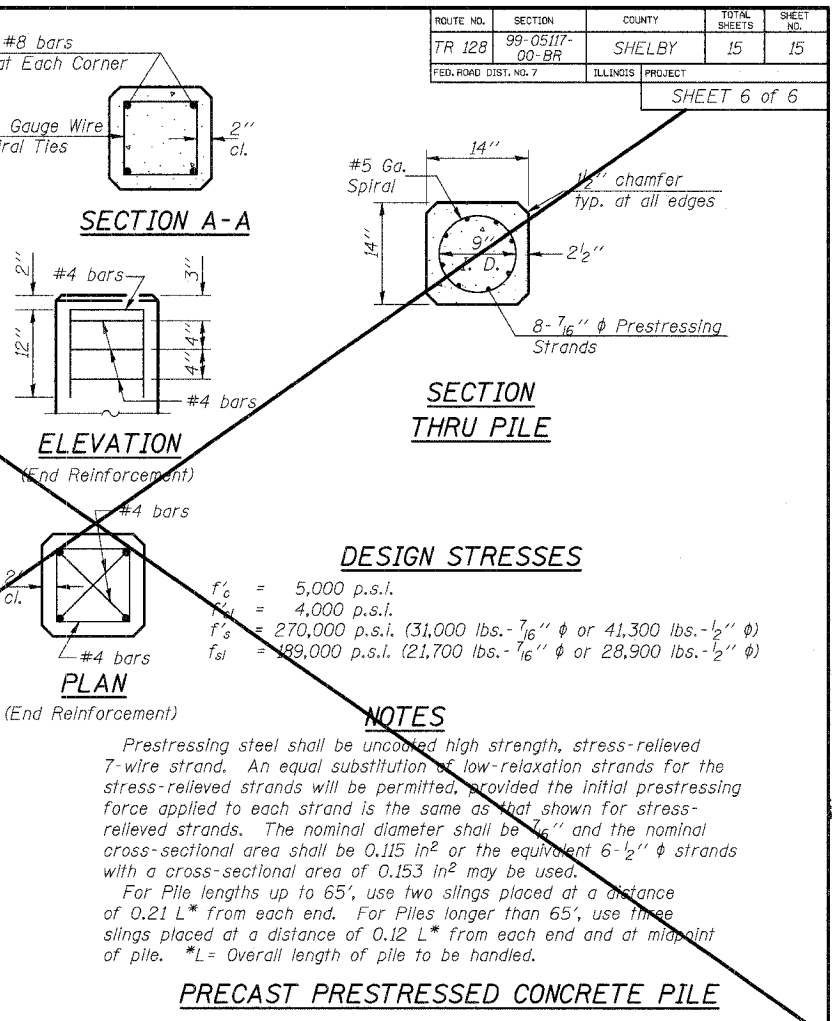
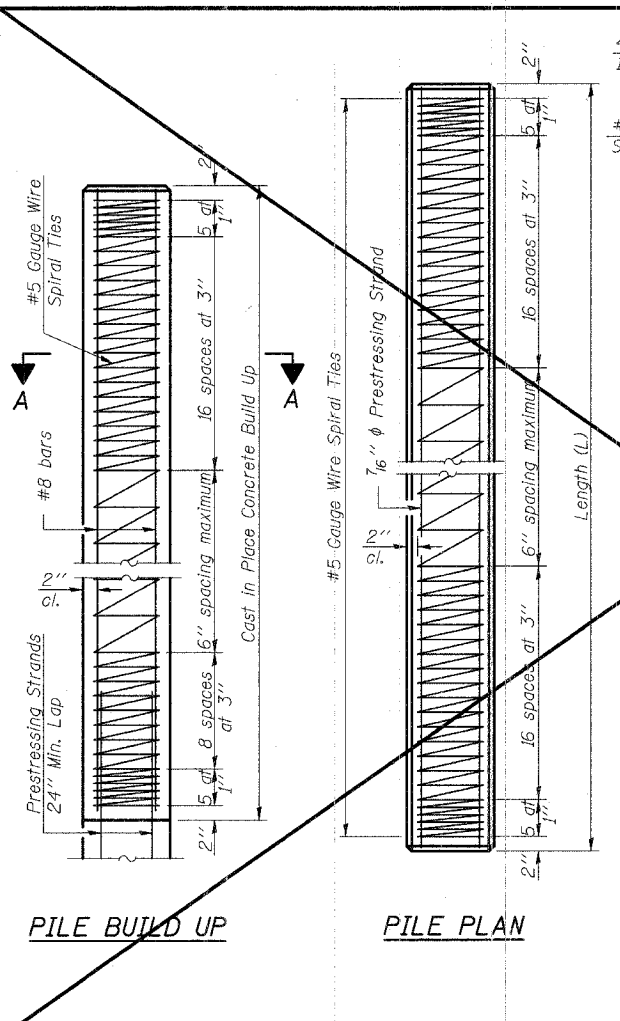
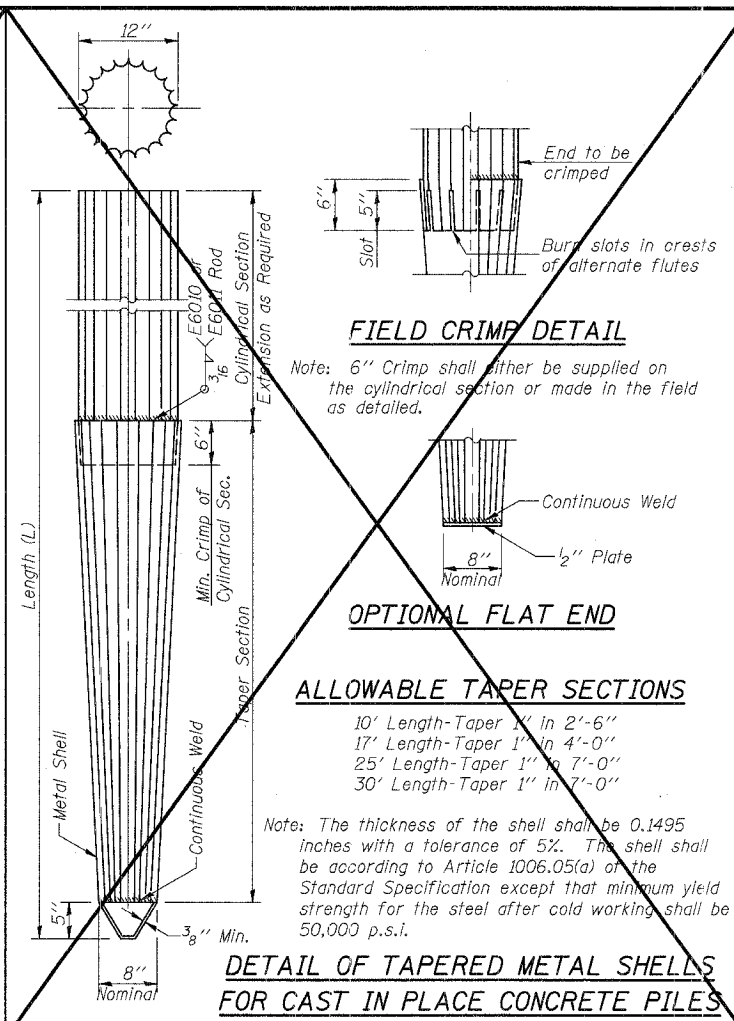
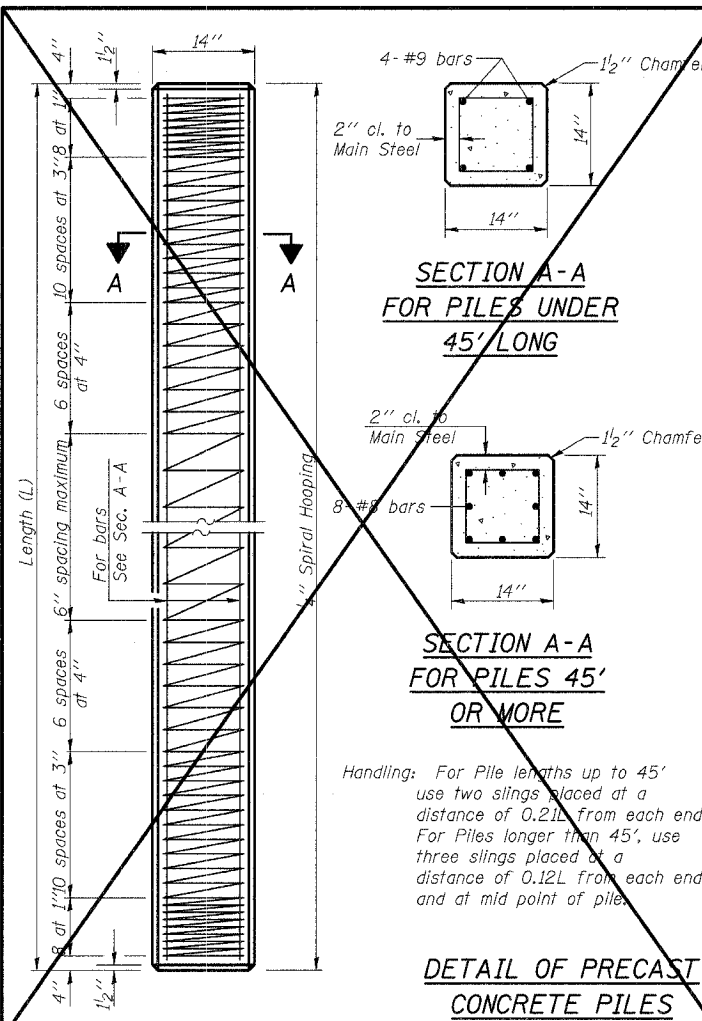


ROUTE NO.	SECTION	COUNTY	TOTAL SHEETS	SHEET NO.
TR 128	99-05117-00-BR	SHELBY	15	15
FED. ROAD DIST. NO. 7		ILLINOIS PROJECT	SHEET 6 of 6	



PILE DETAILS
T.R. 128 OVER MITCHEL CREEK
SECTION 99-05117-00-BR
SHELBY COUNTY
S.N. 087-3520
STA. 9+94.00

ie consultants	
DESIGNED: G.B.M.	CHECKED: D.R.B.
DRAWN: THW	DATE: 12/22/04