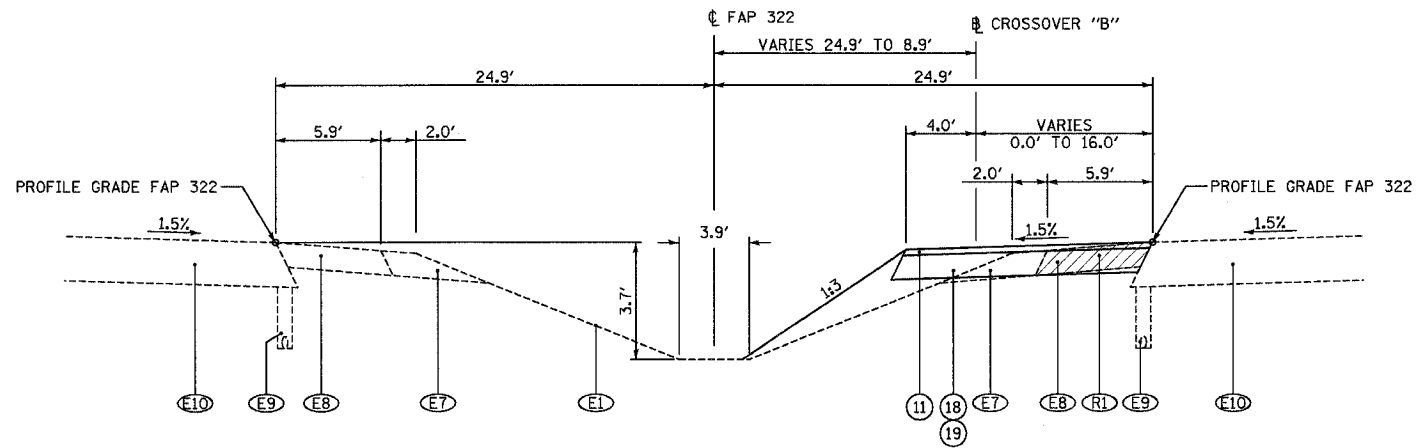
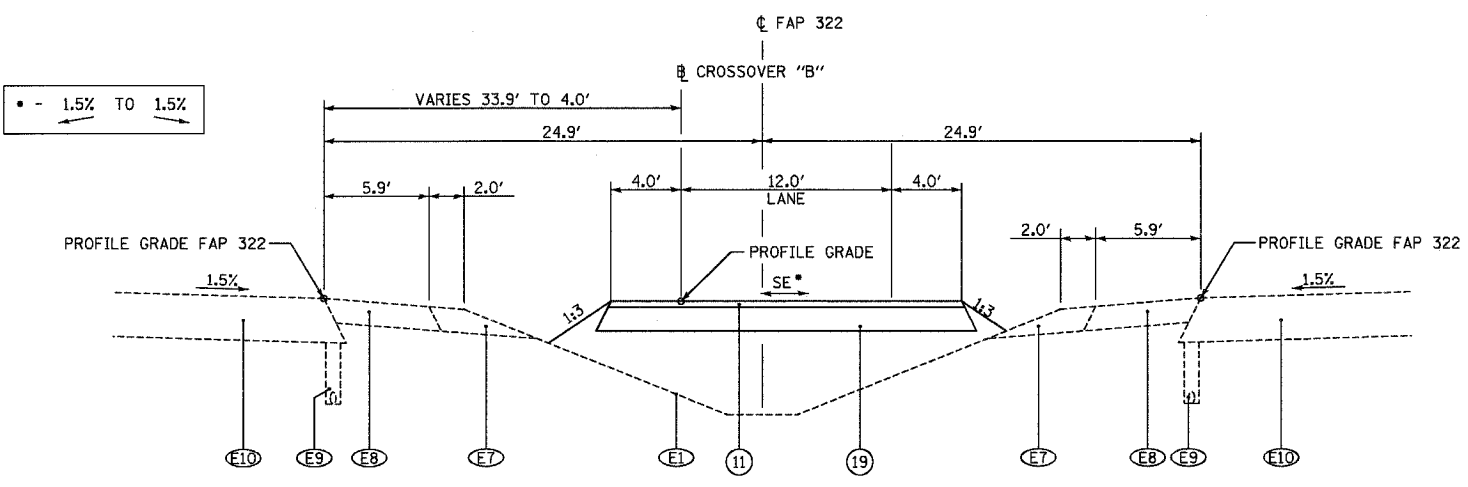


F.A.P. RTE.	SECTION	COUNTY	TOTAL SHEETS	SHEET NO.
322	11-10	CHRISTIAN	310	30
STA.		TO STA.		
FED. ROAD DIST. NO.		ILLINOIS FED. AID PROJECT		



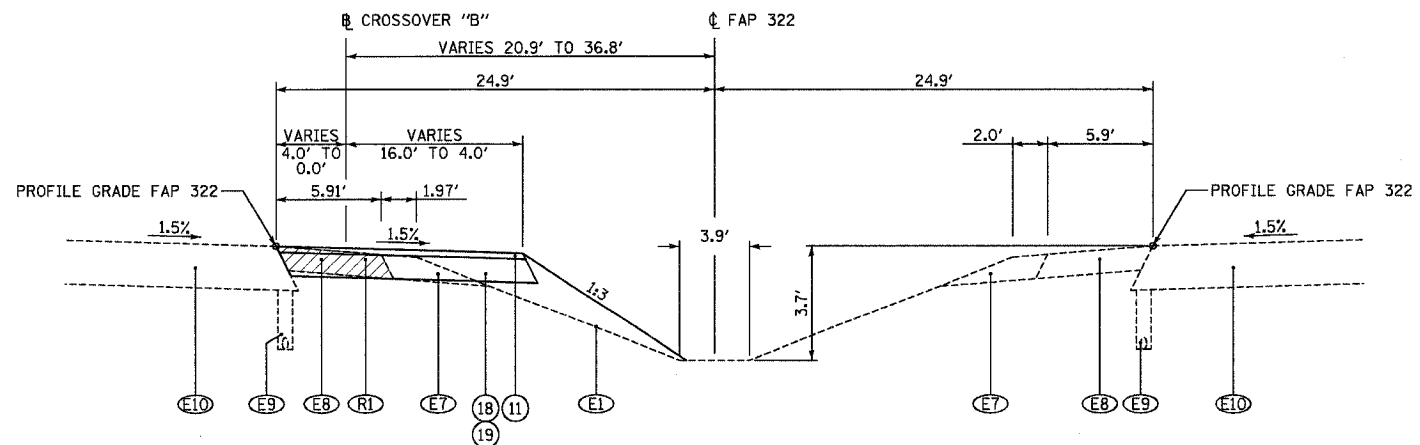
CROSSOVER "B" TYPICAL SECTION

STA 10+00.00 TO STA 13+99.47



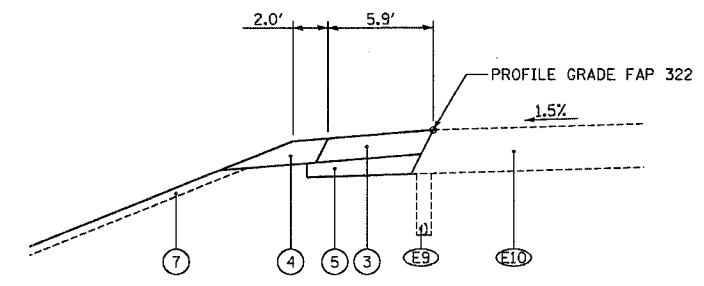
CROSSOVER "B" TYPICAL SECTION

STA 13+99.47 TO STA 14+89  
STA 14+89 TO STA 16+22 SE TRANSITION  
STA 16+22 TO STA 17+13.67



CROSSOVER "B" TYPICAL SECTION

STA 17+13.67 TO STA 21+11.24



FAP 322 MEDIAN SHOULDER REPLACEMENT TYPICAL SECTION

STA 972+40.00 TO STA 977+08.27 RT  
STA 978+83.27 TO STA 983+48.96 LT

**LEGEND**

- (E1) EXISTING GROUND
- (E2) EXISTING BITUMINOUS SURFACE, 1/2"
- (E3) EXISTING BITUMINOUS SURFACE, VARIES 3" - 6"
- (E4) EXISTING 9"-6"-9" PCC CONCRETE PAVEMENT
- (E5) EXISTING PCC BASE COURSE WIDENING, 9"
- (E6) EXISTING BITUMINOUS SHOULDERS, 8"
- (E7) EXISTING AGGREGATE SHOULDERS, VARIABLE DEPTH
- (E8) EXISTING BITUMINOUS SHOULDERS, 7.87"
- (E9) EXISTING PIPE UNDERDRAINS
- (E10) EXISTING FULL DEPTH BITUMINOUS PAVEMENT, 14.76"
- (R1) REMOVE EXISTING BITUMINOUS SHOULDERS
- (R2) REMOVE EXISTING BITUMINOUS PAVEMENT, 9.8"
- (1) BITUMINOUS CONCRETE PAVEMENT (FULL-DEPTH), SUPERPAVE, 13 3/4"  
[BITUMINOUS CONCRETE BINDER COURSE, SUPERPAVE, 11 3/4"  
BITUMINOUS CONCRETE SURFACE COURSE, SUPERPAVE, MIX "D", N50, 2"]
- (2) BITUMINOUS CONCRETE PAVEMENT (FULL-DEPTH), SUPERPAVE, 9 1/4"  
[BITUMINOUS CONCRETE BINDER COURSE, SUPERPAVE, 7 1/4"  
BITUMINOUS CONCRETE SURFACE COURSE, SUPERPAVE, MIX "D", N50, 2"]
- (3a) BITUMINOUS SHOULDERS SUPERPAVE, 8"
- (3) BITUMINOUS SHOULDERS SUPERPAVE, 8" (WITH RUMBLE STRIPS, STD 642001)
- (4) AGGREGATE SHOULDERS, TYPE B
- (5) SUB-BASE GRANULAR MATERIAL, TYPE C
- (6) PROCESSING LIME MODIFIED SOILS, 12"
- (7) TOPSOIL FURNISH AND PLACE, 4"
- (8) PIPE UNDERDRAINS, 4" (STD 601001)
- (9) AGGREGATE BASE COURSE, TYPE A, 10"
- (10) BITUMINOUS SURFACE TREATMENT CLASS A-3
- (11) BITUMINOUS CONCRETE SURFACE COURSE, SUPERPAVE, MIX "D", N50, 2"
- (12) BITUMINOUS CONCRETE BASE COURSE WIDENING, SUPERPAVE, 11 3/4" (WHEN WIDTH < 6')
- (13) BITUMINOUS BASE COURSE SUPERPAVE, 11 3/4" (WHEN WIDTH >= 6')
- (14) AGGREGATE SHOULDERS, TYPE B (WEDGE)
- (15) BITUMINOUS SURFACE REMOVAL, 2"
- (16) AGGREGATE BASE COURSE, TYPE A, 8"
- (17) AGGREGATE SURFACE COURSE, TYPE A, 6"
- (18) BITUMINOUS CONCRETE BASE COURSE WIDENING, SUPERPAVE, 8 1/2" (WHEN WIDTH < 6')
- (19) BITUMINOUS BASE COURSE SUPERPAVE, 8 1/2" (WHEN WIDTH >= 6')
- (20) BITUMINOUS SHOULDERS SUPERPAVE, 2" (WITH RUMBLE STRIPS, STD 642001)
- (21) AGGREGATE BASE COURSE, TYPE A, 12"

REVISIONS	
NAME	DATE

ILLINOIS DEPARTMENT OF TRANSPORTATION  
 TYPICAL SECTIONS  
 SHEET 6 OF 7  
 FAP 322 (US 51)  
 SECTION 11-1  
 CHRISTIAN COUNTY

SCALE: NONE DRAWN BY SEB  
 DATE 3/17/05 CHECKED BY EBB

3/23/2005

\\s01\l\as\018123\proj\ch01\ans\0\img\main\pl.dwg