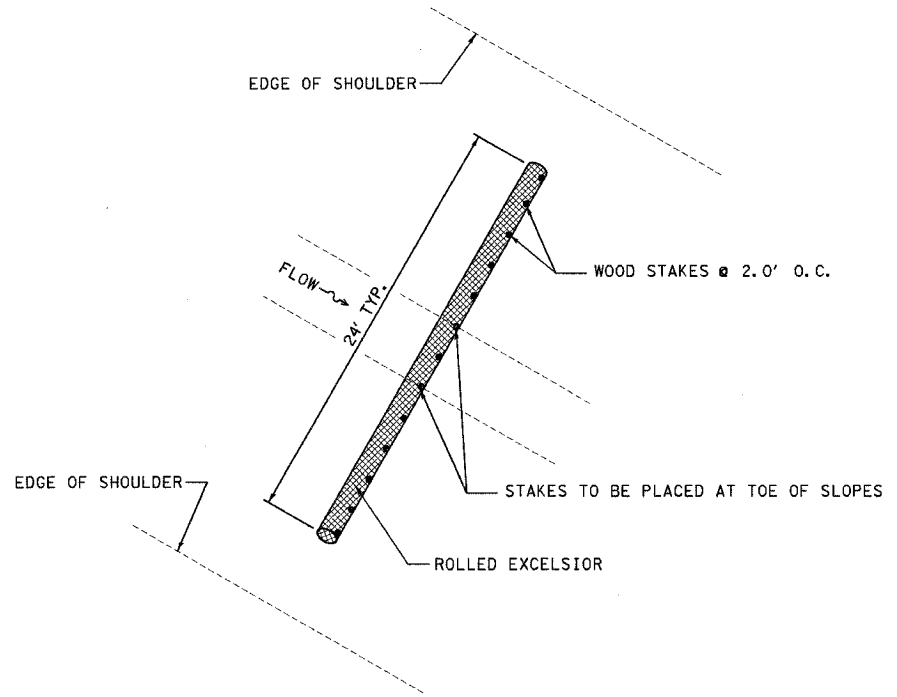


F.A.P. RTE.	SECTION	COUNTY	TOTAL SHEETS	SHEET NO.
322	11-10	CHRISTIAN	310	135
STA.		TO STA.		
FED. ROAD DIST. NO.		ILLINOIS FED. AID PROJECT		

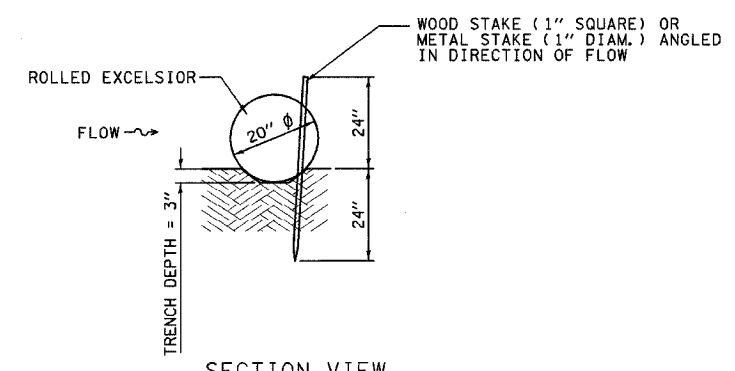
**LEGEND**

(FOR THE STORM WATER POLLUTION PREVENTION PLAN SHEETS)

ITEM	SYMBOL
AGGREGATE (EROSION CONTROL) - ESTIMATED QUANTITY [STONE DUMPED RIPRAP DITCH CHECKS (Height = 2'-0")]	
TEMPORARY DITCH CHECKS/INLET PIPE PROTECTION (I&PP) (ROLLED EXCELSIOR DITCH CHECKS IN MEDIAN DITCHES, AGGREGATE DITCH CHECKS (2' HEIGHT) AT ALL OTHER LOCATIONS)	or
PERIMETER EROSION BARRIER	
EARTH EXCAVATION FOR EROSION CONTROL (SEDIMENT BASINS)	
PRESERVE EXISTING TREES, WOODLANDS, AND UNDERSTORY (OUTSIDE CONSTRUCTION LIMITS)	
ITEM PLACED AT BEGINNING OF CONSTRUCTION (Requirement)	*  *
ITEM PLACED AS DIRECTED BY ENGINEER (When required by situation)	
DIRECTION OF OVERLAND FLOW	
EXCELSIOR / EROSION CONTROL BLANKET	
ITEM PLACED DURING STAGE 1 CONSTRUCTION	

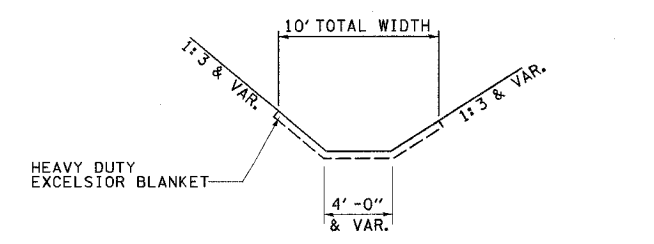


PLAN VIEW



SECTION VIEW  
**ROLLED EXCELSIOR DITCH CHECK**  
(TYPICAL)

SEE STANDARD 280001-02  
FOR EROSION CONTROL  
DETAILS NOT SHOWN.



**HEAVY DUTY EXCELSIOR BLANKET LIMITS**  
(TYPICAL)

**GENERAL NOTES:**

All items shall be constructed as shown on this sheet, on Standard 280001, and as directed by the Engineer.

Mulch shall be method 2, unless otherwise noted.

Temporary ditch checks and inlet pipe protection shall be placed with aggregate ditch checks in the outside ditches and rolled excelsior in the median ditches. Hay bales will not be allowed. No additional compensation will be allowed for the use of the aggregate and / or the rolled excelsior.

REVISIONS	
NAME	DATE

ILLINOIS DEPARTMENT OF TRANSPORTATION  
**STORM WATER POLLUTION PREVENTION PLAN**  
FAP 322 (US 51)  
SECTION 11-1  
CHRISTIAN COUNTY

SCALE: NONE  
DATE: 3/21/05

DRAWN BY: SEB  
CHECKED BY: EBB

3/21/2005

6/11/05 10:02:29 AM C:\p1\plan\11\11eap01135.dwg