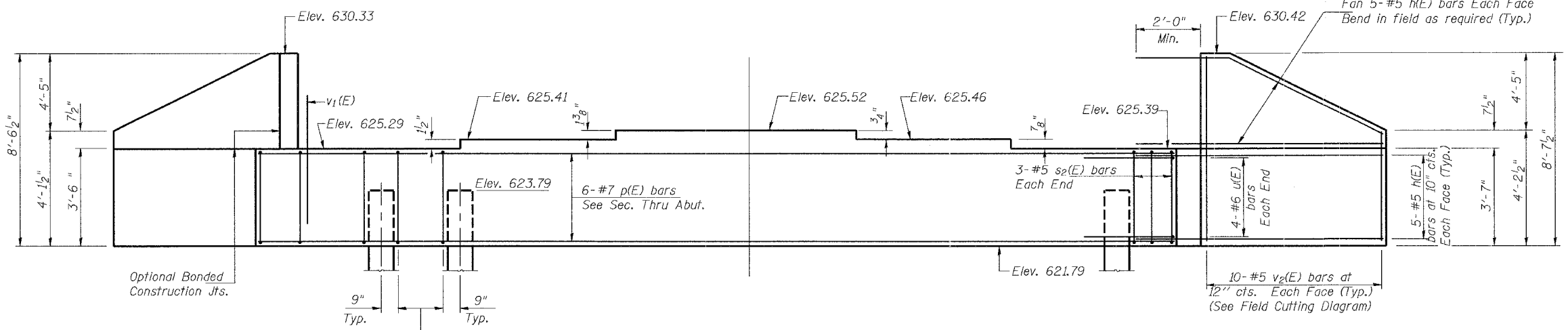
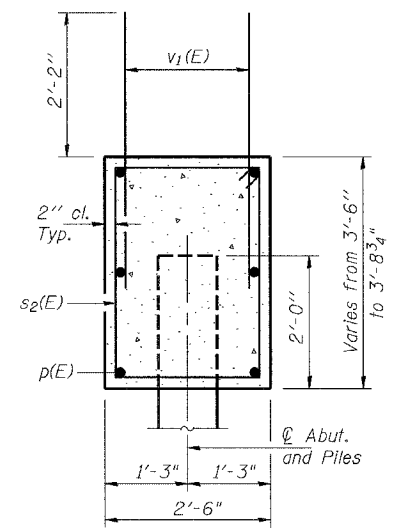


FAS RTE.	SECTION	COUNTY	TOTAL SHEETS	SHEET NO.
732	*	MACOUPIN	15	10
FED. ROAD DIST. NO. 1 ILLINOIS FED. AID PROJECT				
*02-00083-00-BR				

Notes: Four steps monolithically with cap.
Reinforcement bars designated (E)
shall be epoxy coated.



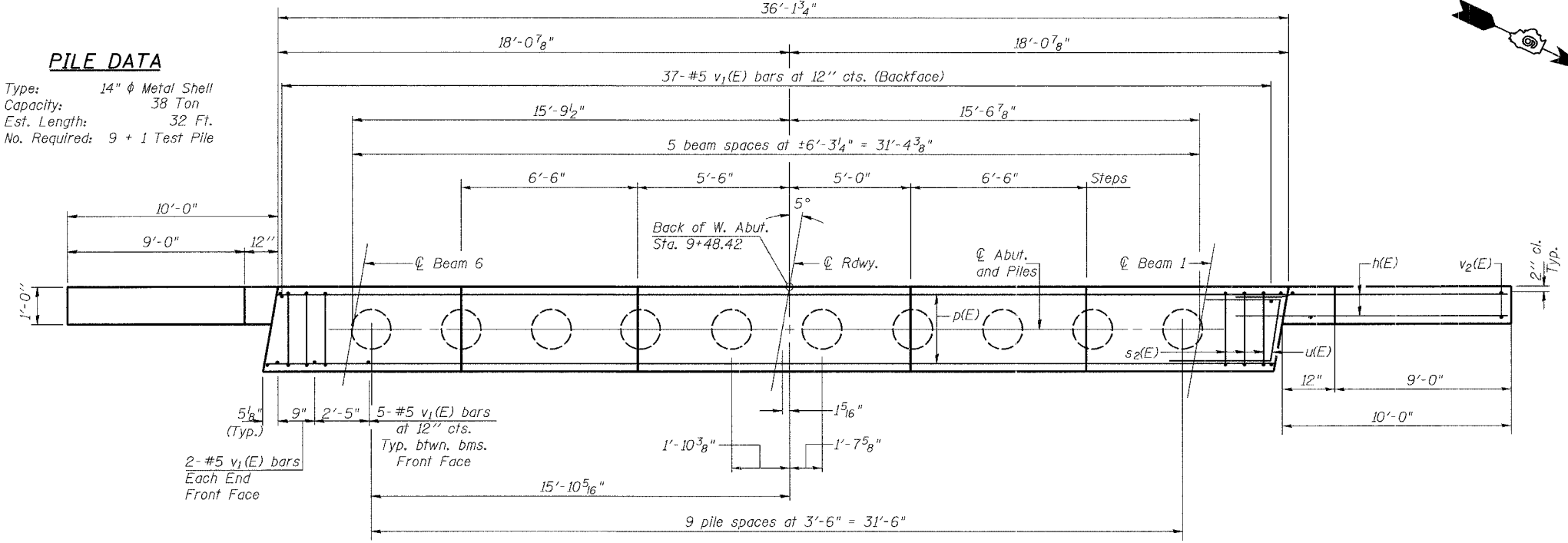
ELEVATION
(Looking West)



SEC. THRU ABUT.

PILE DATA

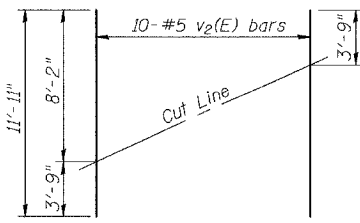
Type: 14" ϕ Metal Shell
Capacity: 38 Ton
Est. Length: 32 Ft.
No. Required: 9 + 1 Test Pile



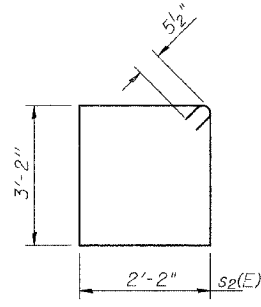
PLAN

BILL OF MATERIAL
W. ABUTMENT

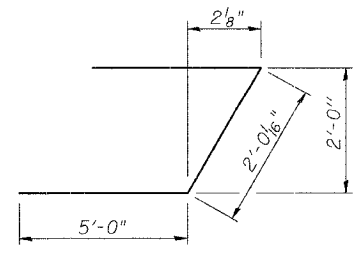
Bar	No.	Size	Length	Shape
h(E)	40	#5	12'-0"	
p(E)	6	#7	35'-9"	
s2(E)	33	#5	11'-7"	□
u(E)	8	#6	12'-0"	└
v1(E)	66	#5	4'-4"	
v2(E)	20	#5	11'-11"	
Concrete Structures		Cu. Yd.	16.2	
Reinforcement Bars		Pound	2030	
Epoxy Coated				
Structure Excavation		Cu. Yd.	52	
Furnishing Metal		Foot	288	
Pile Shells 14"				
Driving & Filling		Foot	288	
Shells				
Test Pile Metal Shells		Each	1	



FIELD CUTTING DIAGRAM
Order v2(E) full length. Cut as shown and use remainder of bars in opposite face.



BARS s2(E)



BAR u(E)

w-abutment

SHEET TITLE		PROJECT NO.	03016
WEST ABUTMENT		SCALE	2/16/04
PROJECT		C.H. 12 OVER SOLOMON CREEK	
FAS ROUTE 732 SEC. 02-00083-00-BR		DATE	2/16/04
MACOUPIN COUNTY		DRAWN BY	TFG
STATION 9+90.00		CHECKED BY	MRL/REG/MCB
STRUCTURE NUMBER 059-3465		DRAWING NO.	
COOMBE-BLOXDORF P.C.			10
Engineers / Land Surveyors			
Springfield, Illinois			
Design Firm License No. 184-002703			OF 15 SHTS