

**TWO ABUTMENTS
BILL OF MATERIAL**

BAR	NO.	SIZE	LENGTH	SHAPE	
h	16	#4	37'-6"	—	
h ₁	8	#4	6'-2"	—	
h ₂	56	#4	6'-6"	—	
p	24	#8	37'-6"	—	
s	64	#4	14'-5"	□	
s ₁	4	#4	9'-10"	□	
s ₂	4	#4	10'-8"	□	
u	16	#6	12'-2"	—	
v	152	#4	4'-8"	—	
v ₁	24	#4	6'-10"	—	
v ₂	24	#4	6'-0"	—	
① Concrete Structures				CU YD	51.0
Reinforcement Bars				POUND	4,720
Structure Excavation				CU YD	135
Name Plates				EACH	1
Furnishing Metal Pile Shells 12"				FOOT	738
Driving and Filling Shells				FOOT	738
Test Pile Metal Shells				EACH	2
① Concrete Encasement				CU YD	3.7

① See Special Provisions

DESIGN STRESSES

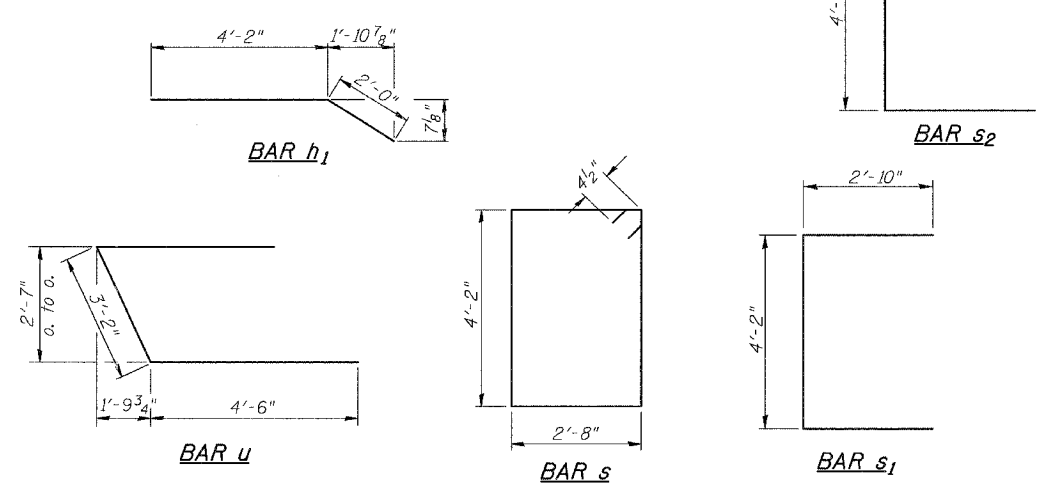
f'c = 3,500 p.s.i.
fy = 60,000 p.s.i.

PILE DATA

Type: 12" Metal Shell
Capacity: 40 Ton
Est. Length: 70' (West Abut.)
53' (East Abut.)
No. Req'd.: 14 (Includes 1 Test Pile at Each Abut.)

NOTES

- The Backwall and the portion of the Wingwalls above the bonded construction joint shall be cast against the in-place beam.
- Reinforcement bars shall conform to A.A.S.H.T.O. M-31 or M-322, Grade 60.



**ABUTMENTS
CHAMBERS STREET OVER TOWN BROOK
SECTION 03-00118-00-BR
CITY OF JACKSONVILLE
STATION 11+29.82**