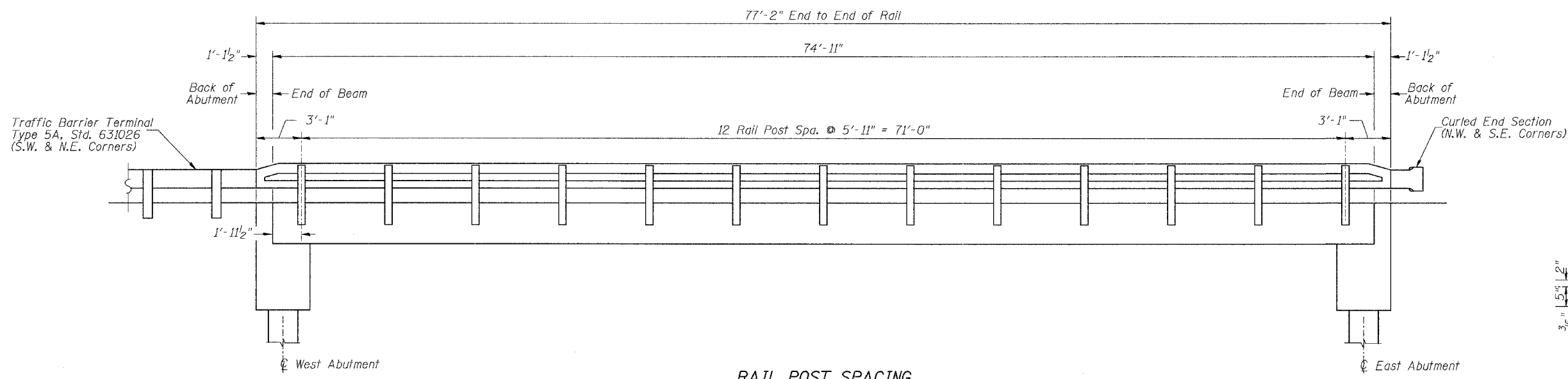
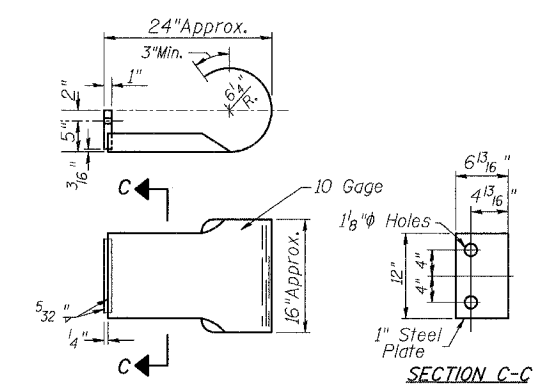


ROUTE NO.	SECTION	COUNTY	SHEET NO.	SHEET
**	*	MORGAN	19	14
FED. ROAD DIST. NO. 7		ILLINOIS	PROJECT BRM-5032(22)	
** CHAMBERS STREET		* 03-00118-00-BR		

SHEET NO. 5
5 SHEETS



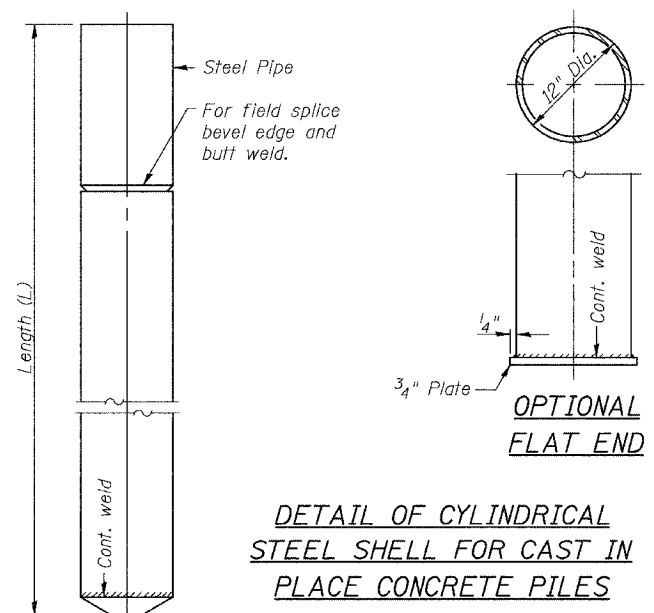
RAIL POST SPACING



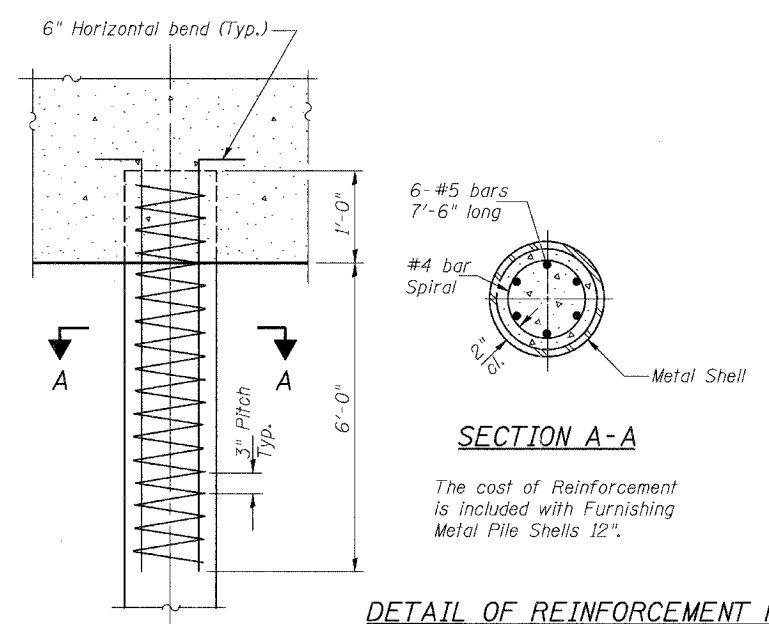
CURLED END SECTION

(2 Req'd) Cost Included with Steel Bridge Rail, Type SM (Special).
Terminal Markers - Direct Applied shall be placed on end of each Curled End Section. (N.W. & S.E. Corners)

Notes: Driving and bearing ends of pipe shall be cut square.
The thickness of the shell shall be 0.1793 inches with a tolerance of 5%. The shell shall be according to Article 1006.05(a) of the Standard Specifications.



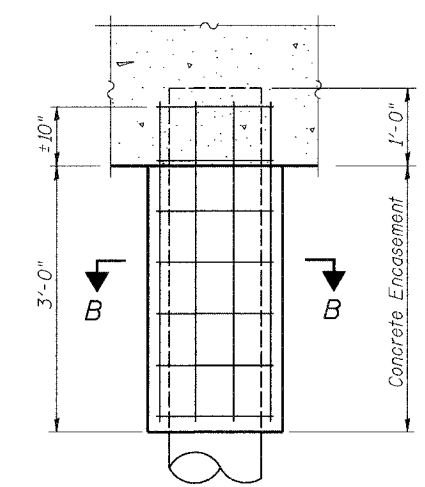
DETAIL OF CYLINDRICAL STEEL SHELL FOR CAST IN PLACE CONCRETE PILES



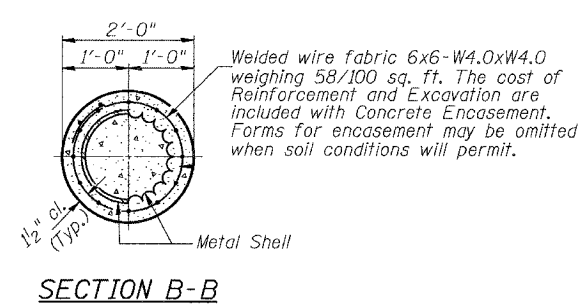
SECTION A-A

The cost of Reinforcement is included with Furnishing Metal Pile Shells 12".

DETAIL OF REINFORCEMENT FOR METAL SHELLS AT ABUTMENTS



DETAIL OF METAL SHELL PILE ENCASEMENT AT ABUTMENTS



SECTION B-B

Welded wire fabric 6x6-W4.0xW4.0 weighing 58/100 sq. ft. The cost of Reinforcement and Excavation are included with Concrete Encasement. Forms for encasement may be omitted when soil conditions will permit.

PILE DETAILS
RAIL POST SPACING
CHAMBERS STREET OVER TOWN BROOK
SECTION 03-00118-00-BR
CITY OF JACKSONVILLE
STATION 11+29.82