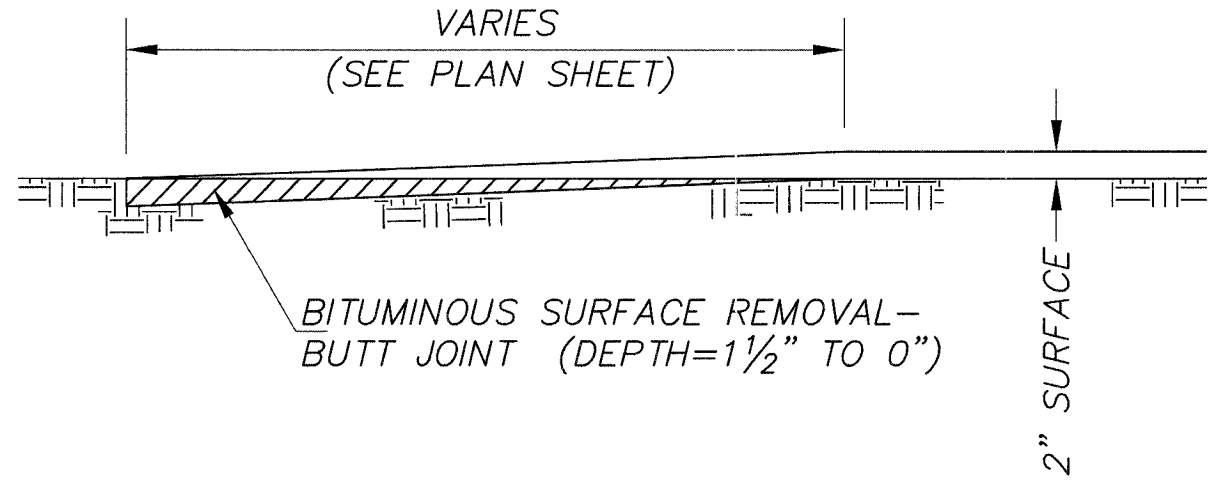


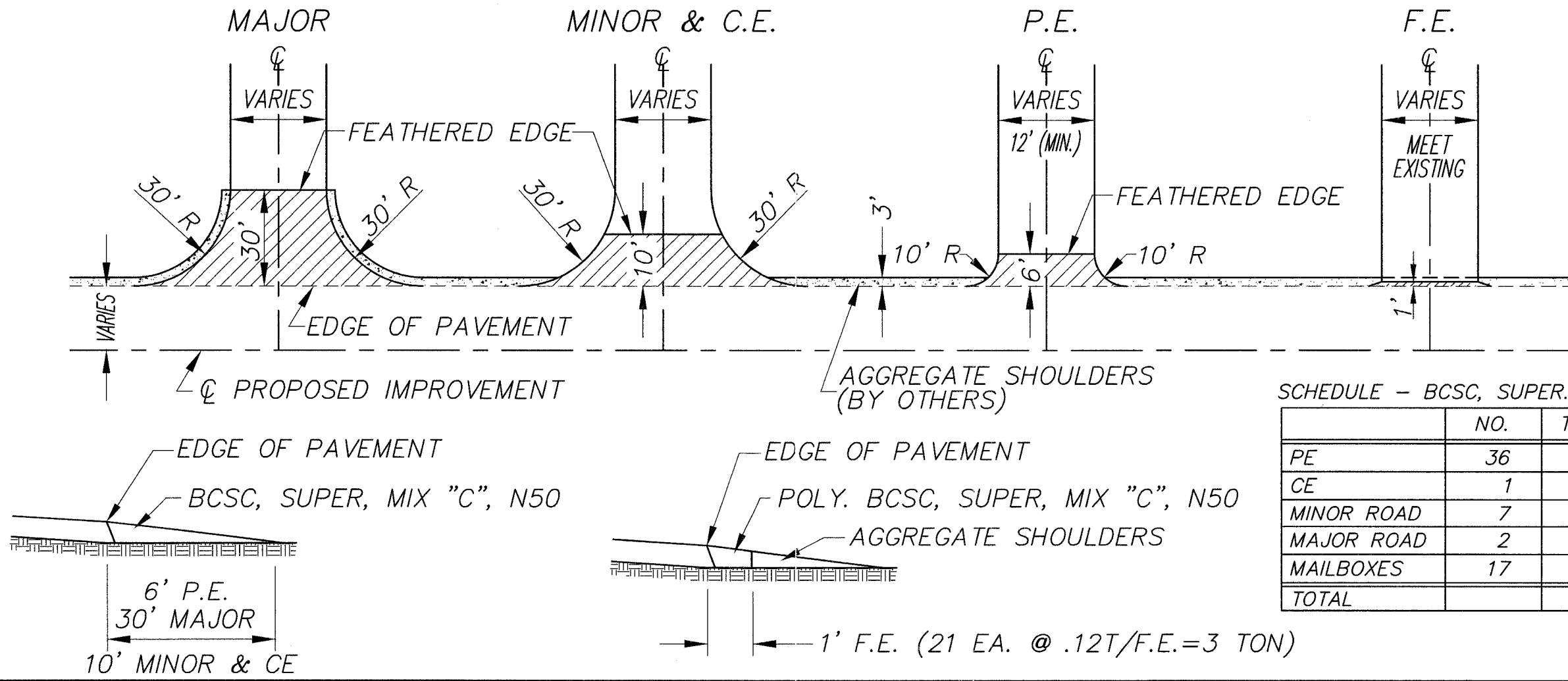
COUNTY	ROUTE	SECTION	TOTAL SHEETS	SHEET NO.
ADAMS	FAS 591	05-00192-00-RS	11	11
BUTT JOINT DETAIL				
SIDE ROAD & ENTRANCE DETAILS				

BUTT JOINT DETAIL



INTERSECTION DETAILS

ENTRANCE DETAILS



SCHEDULE - BCSC, SUPER., MIX "C" N50

	NO.	TONS/	TONS
PE	36	1.5	54
CE	1	6	6
MINOR ROAD	7	6	42
MAJOR ROAD	2	12	24
MAILBOXES	17	2.4	41
TOTAL			167