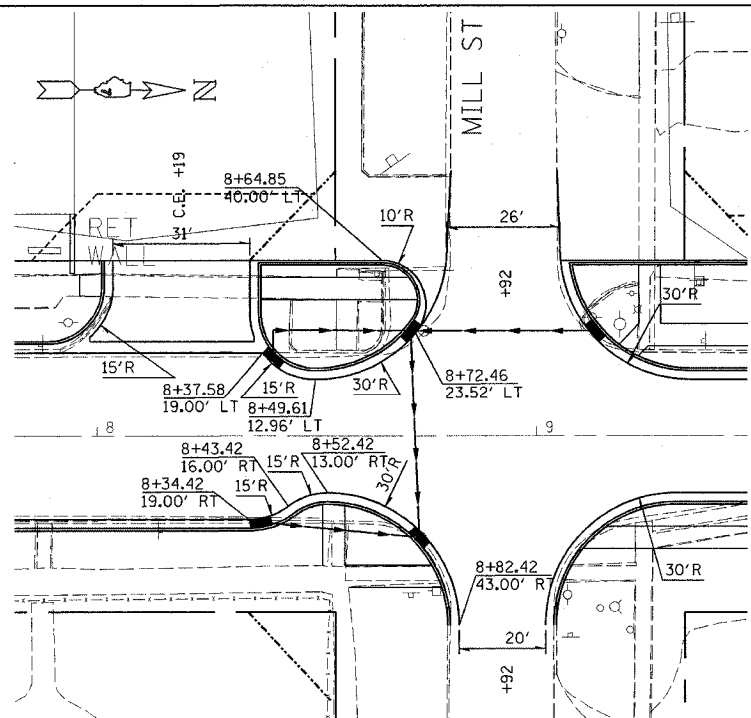
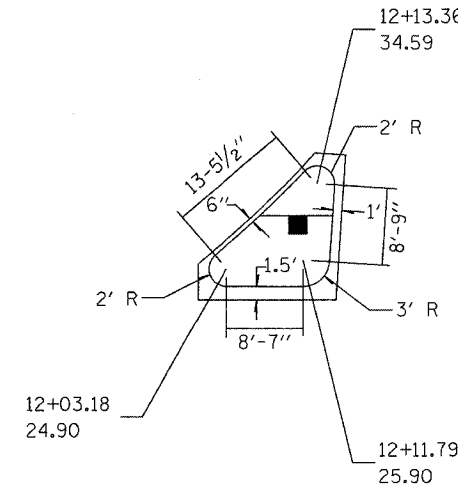
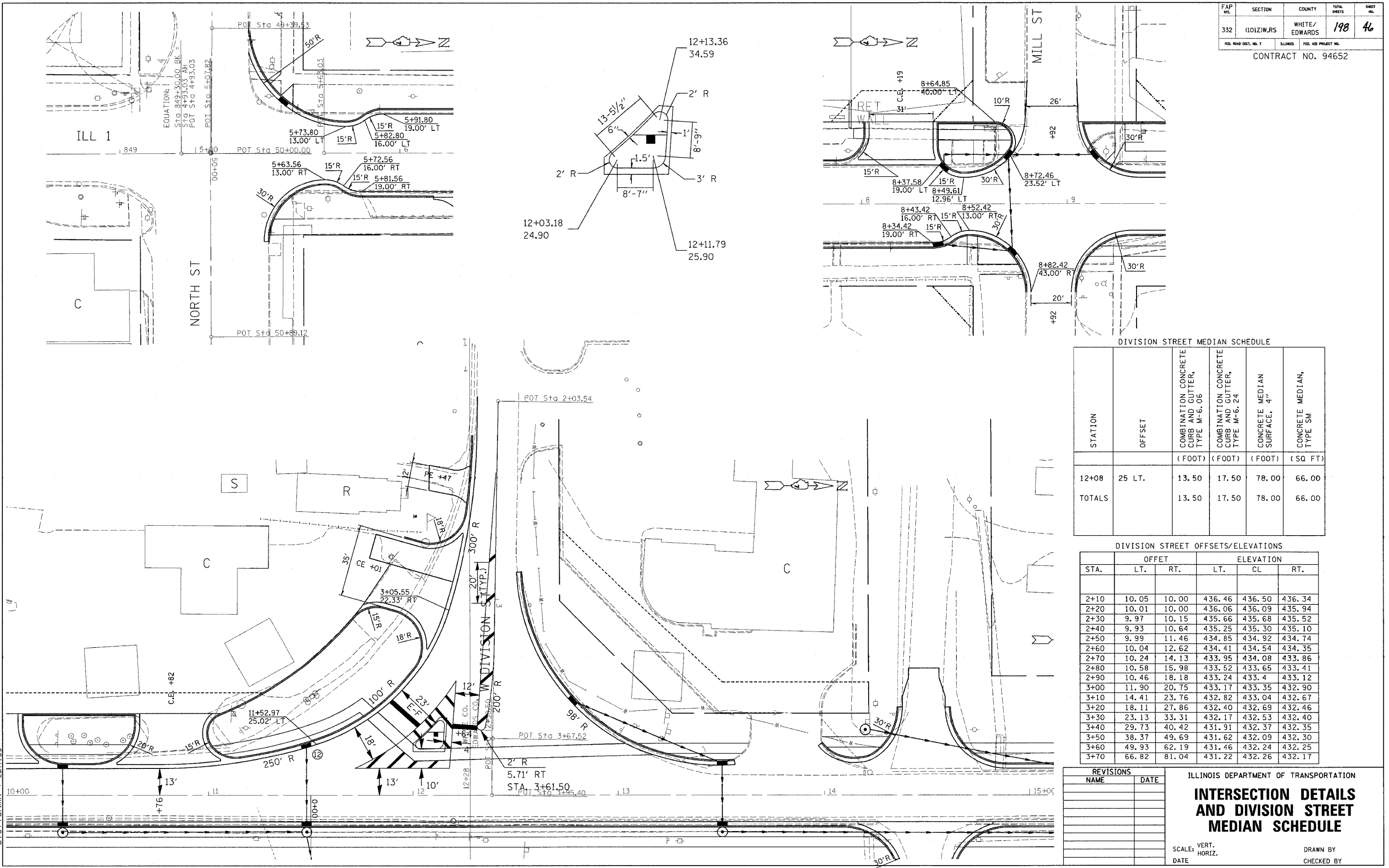


c:\projects\94652d\02101pa.dgn
 stefanmk\ DATE
 1/31/2005
 1 2 3 4 5 6 7 8 9
 10 11 12 13 14 15 16 17 18
 19 20 21 22 23 24 25 26
 27 28 29 30 31 32 33 34 35
 36 37 38 39 40 41 42 43 44 45
 46 47 48 49 50 51 52 53 54
 55 56 57 58 59 60 61 62 63
 ENT 1
 REV: c:\projects\94652d\02101pa.dgn

FAP R/L	SECTION	COUNTY	TOTAL SHEETS	SHEET NO.
332	(1012)W.R.S	WHITE/ EDWARDS	198	46
FED. ROAD DIST. NO. 7		ILLINOIS	FED. AID PROJECT NO.	
CONTRACT NO. 94652				



DIVISION STREET MEDIAN SCHEDULE

STATION	OFFSET	COMBINATION CONCRETE CURB AND GUTTER, TYPE M-6.06	COMBINATION CONCRETE CURB AND GUTTER, TYPE M-6.24	CONCRETE MEDIAN SURFACE, 4'	CONCRETE MEDIAN, TYPE SW
		(FOOT)	(FOOT)	(FOOT)	(SQ FT)
12+08	25 LT.	13.50	17.50	78.00	66.00
TOTALS		13.50	17.50	78.00	66.00

DIVISION STREET OFFSETS/ELEVATIONS

STA.	OFFSET		ELEVATION		
	LT.	RT.	LT.	CL	RT.
2+10	10.05	10.00	436.46	436.50	436.34
2+20	10.01	10.00	436.06	436.09	435.94
2+30	9.97	10.15	435.66	435.68	435.52
2+40	9.93	10.64	435.25	435.30	435.10
2+50	9.99	11.46	434.85	434.92	434.74
2+60	10.04	12.62	434.41	434.54	434.35
2+70	10.24	14.13	433.95	434.08	433.86
2+80	10.58	15.98	433.52	433.65	433.41
2+90	10.46	18.18	433.24	433.4	433.12
3+00	11.90	20.75	433.17	433.35	432.90
3+10	14.41	23.76	432.82	433.04	432.67
3+20	18.11	27.86	432.40	432.69	432.46
3+30	23.13	33.31	432.17	432.53	432.40
3+40	29.73	40.42	431.91	432.37	432.35
3+50	38.37	49.69	431.62	432.09	432.30
3+60	49.93	62.19	431.46	432.24	432.25
3+70	66.82	81.04	431.22	432.26	432.17

REVISIONS	
NAME	DATE

ILLINOIS DEPARTMENT OF TRANSPORTATION
**INTERSECTION DETAILS
 AND DIVISION STREET
 MEDIAN SCHEDULE**
 SCALE: VERT. _____
 HORIZ. _____
 DATE _____ DRAWN BY _____
 CHECKED BY _____