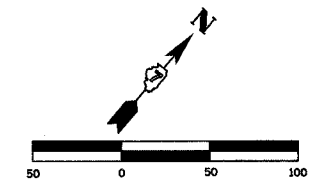
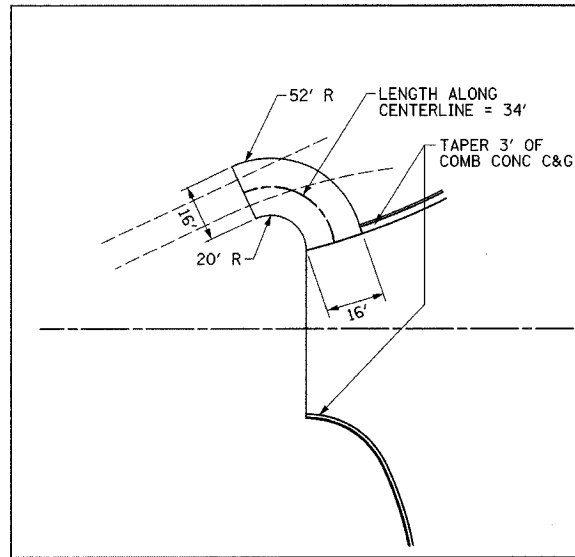


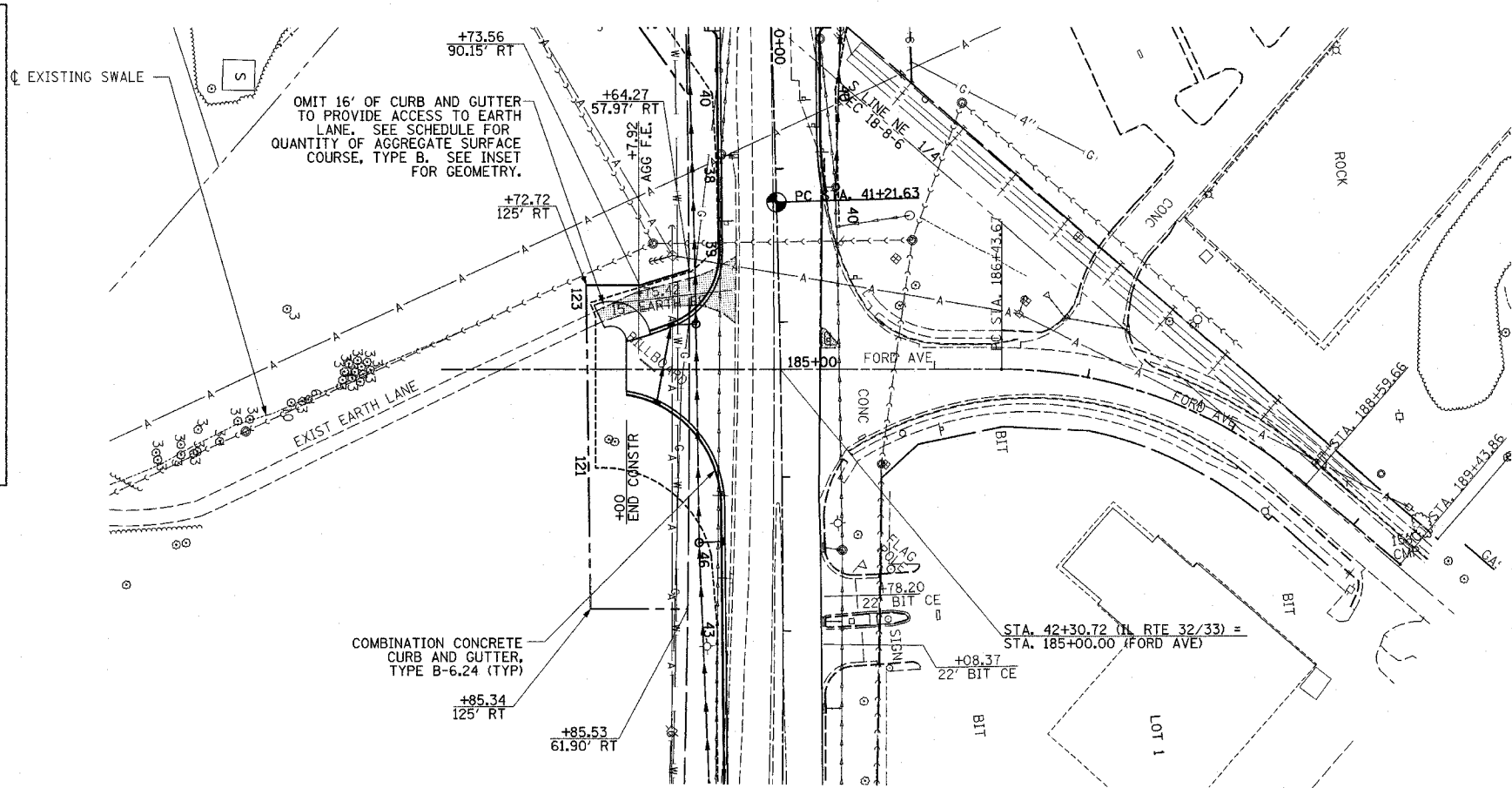
F.A.P. RTE.	SECTION	COUNTY	TOTAL SHEETS	SHEET NO.
774	*	EFFINGHAM	273	74
FED. ROAD DIST. NO. 7 ILLINOIS FED. AID PROJECT				
* 107WRS-1, 107BY, 107BY-1 & 107B-2				
CONTRACT NO. 94827				



PLAN	DATE
BY	
NO.	
DATE	
BY	
NO.	
DATE	
BY	
NO.	
DATE	
BY	
NO.	
DATE	



INSET



PROP CURVE C13  
 PI STA. = 187+56.58  
 $\Delta = 41^\circ 14' 58''$  (RT)  
 $D = 19^\circ 05' 55''$   
 $R = 300.00'$   
 $T = 112.91'$   
 $L = 215.98'$   
 $E = 20.54'$   
 $e = N/C$   
 P.C. STA. = 186+43.67  
 P.T. STA. = 188+59.66

FOR INTERSECTION GEOMETRICS  
 SEE SHEET 79

FOR STORM SEWER SCHEDULE  
 SEE SHEET 28

PROFILE	DATE
BY	
NO.	
DATE	
BY	
NO.	
DATE	
BY	
NO.	
DATE	
BY	
NO.	
DATE	

