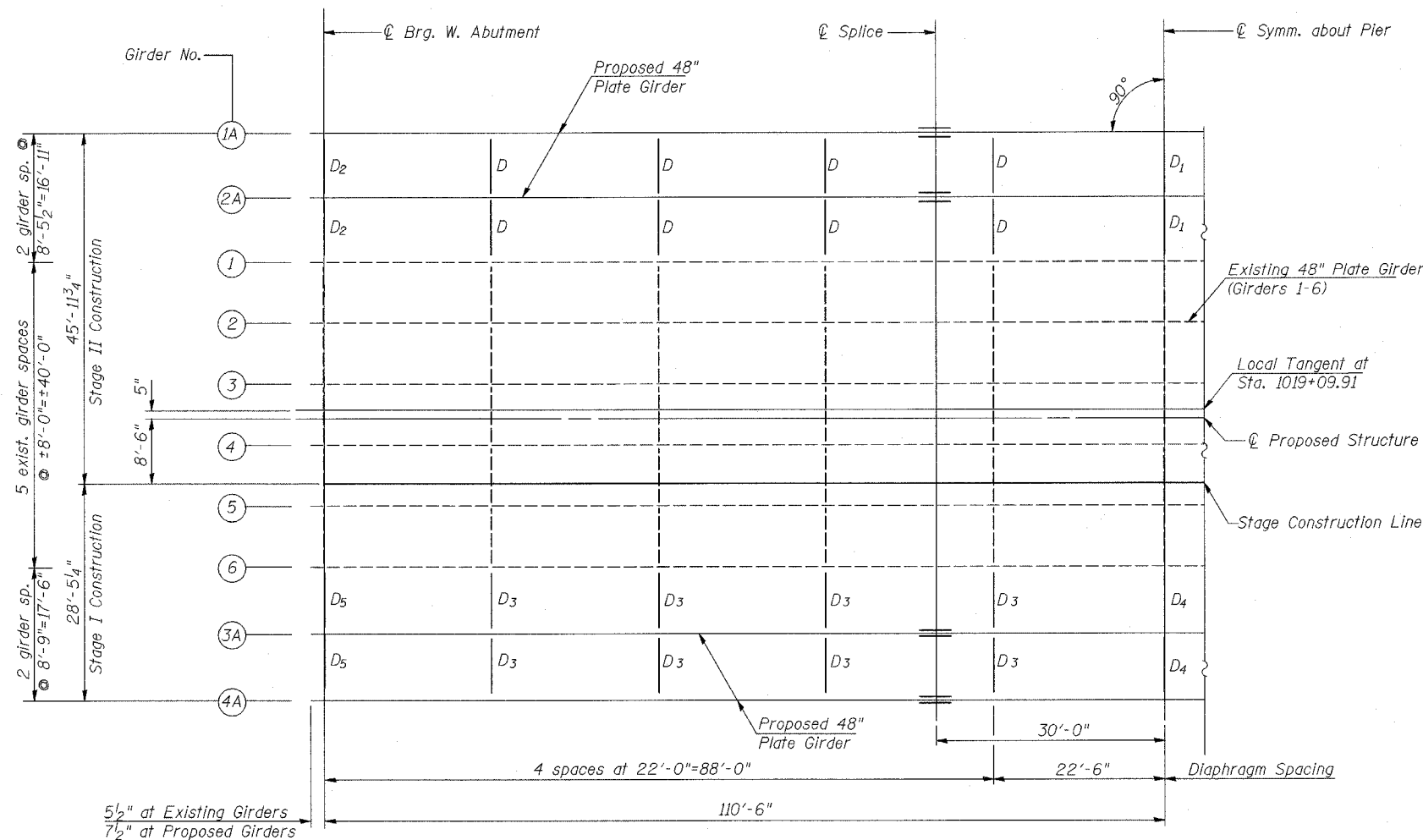


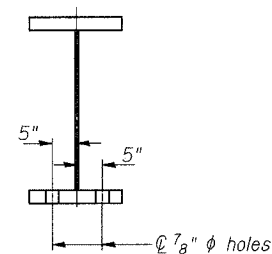
CONTRACT NO. 94827



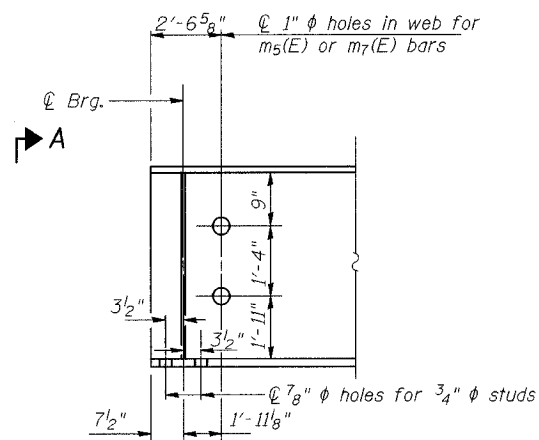
**FRAMING PLAN**

**NOTE**

Existing diaphragms along  $\bar{C}$  bearing at Abutments shall be cleaned and left in place. Cost of cleaning is included with Concrete Superstructure.

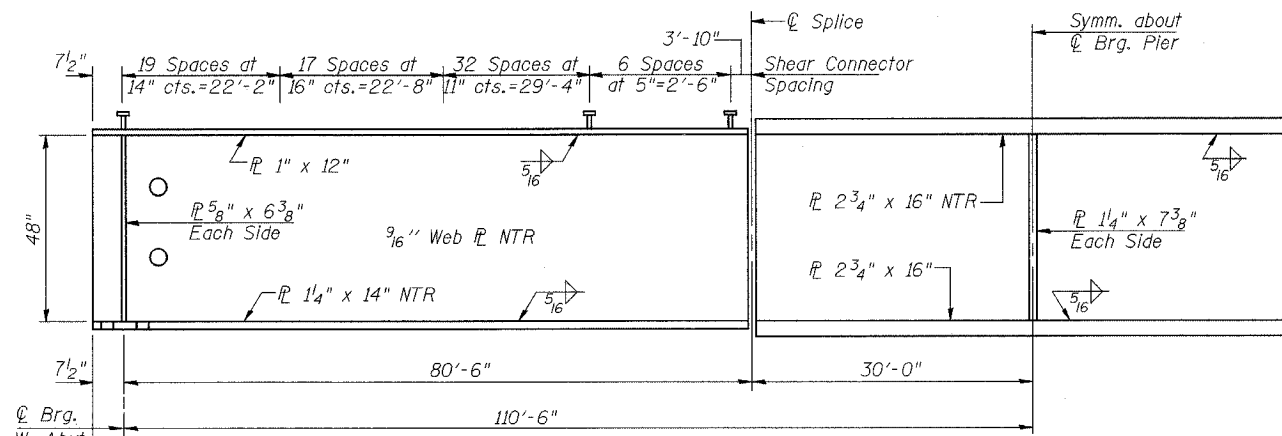


**VIEW A-A**



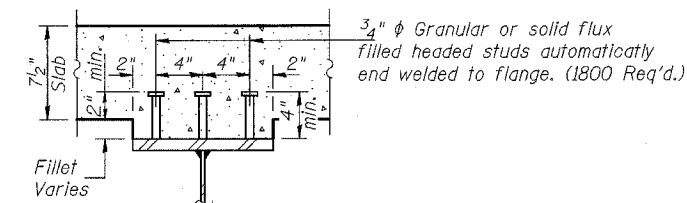
**DETAIL AT ABUTMENT**

Showing hole locations



**PROPOSED GIRDER ELEVATION**

"NTR" denotes plates to which notch toughness requirements are applicable.



**SHEAR STUD DETAIL**

Work this Sheet with Sheet 13 of 26.

SHEET TITLE <b>STRUCTURAL STEEL</b>		
PROJECT IL RTE. 32/33 OVER LITTLE WABASH RIVER OVERFLOW F.A.P. RTE. 774 SECTION 107BY-1 EFFINGHAM COUNTY STATION 1018+86.92 STRUCTURE NO. 025-0077	PROJECT NO. 02017	SCALE DATE DRAWN BY TFG CHECKED BY KPS/CME/MCB DRAWING NO.
<b>COOMBE-BLOXDORF P.C.</b> Engineers/Land Surveyors Springfield, Illinois Design Firm License No. 184-002708		12 OF 26 SHTS