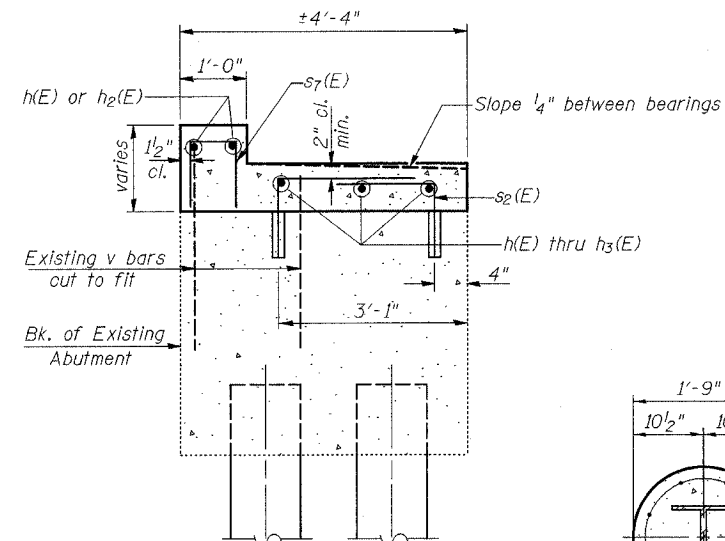


CONTRACT NO. 94827

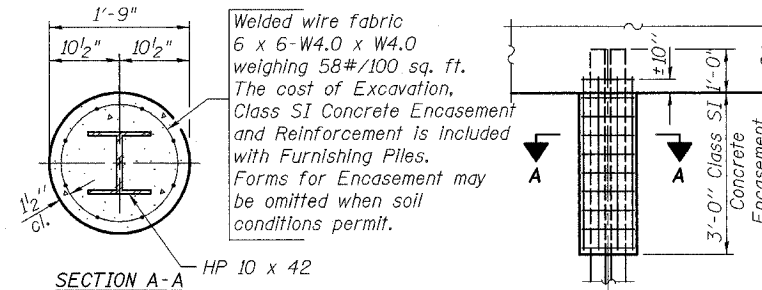
BILL OF MATERIAL

Bar	No.	Size	Length	Shape
h(E)	10	#5	19'-3"	—
h ₁ (E)	3	#5	8'-4"	—
h ₂ (E)	10	#5	29'-0"	—
h ₃ (E)	6	#5	19'-7"	—
h ₄ (E)	3	#5	8'-10"	—
h ₅ (E)	30	#5	12'-2"	—
h ₇ (E)	20	#5	9'-8"	—
p(E)	3	#7	22'-6"	—
p ₁ (E)	3	#7	20'-0"	—
p ₂ (E)	16	#7	5'-9"	—
p ₃ (E)	8	#7	19'-4"	—
p ₄ (E)	2	#7	21'-3"	—
s ₂ (E)	106	#4	3'-9"	□
s ₃ (E)	36	#4	15'-1"	□
s ₄ (E)	6	#4	16'-4"	□
s ₅ (E)	39	#4	5'-8"	□
s ₆ (E)	41	#5	6'-1"	□
s ₇ (E)	53	#5	2'-5"	□
u ₁ (E)	8	#6	9'-8"	—
v ₁ (E)	10	#5	16'-10"	—
v ₂ (E)	10	#5	14'-4"	—
Structure Excavation		Cu. Yd.	183	
Concrete Structures		Cu. Yd.	44.7	
Reinforcement Bars Epoxy Coated		Lbs.	3790	
Furnishing Steel Piles HP10x42		Ft.	217	
Driving Steel Piles		Ft.	217	
Test Piles Steel HP10x42		Each	1	
Bar Splicers		Each	5	

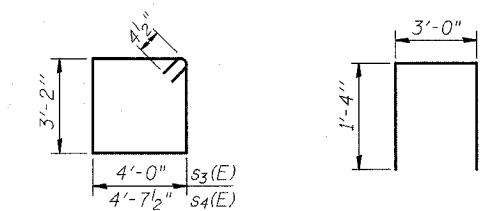
Reinforcement bars designated (E) shall be epoxy coated.



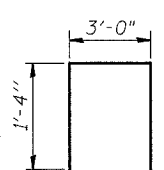
SECTION B-B



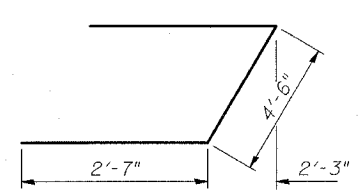
PILE ENCASEMENT DETAIL



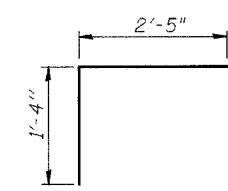
BARS s₃(E) & s₄(E)



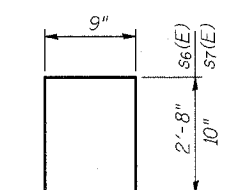
BAR s₅(E)



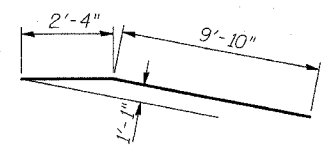
BAR u₁(E)



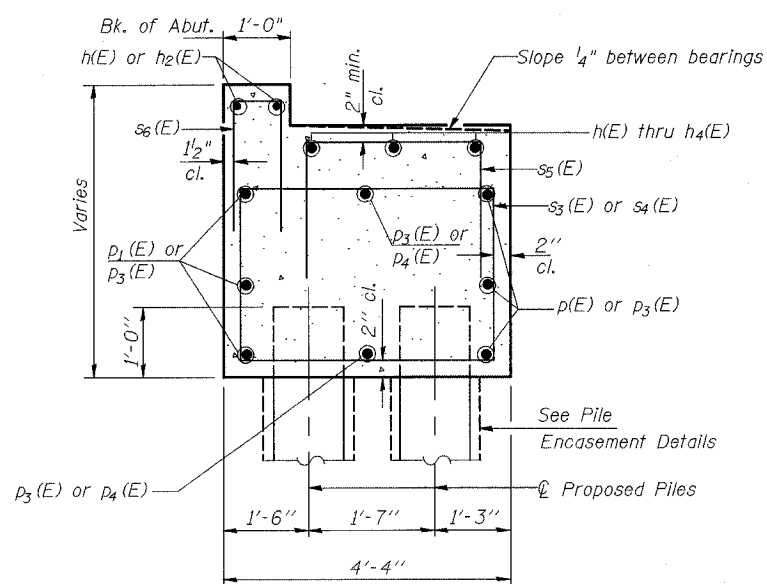
BAR s₂(E)



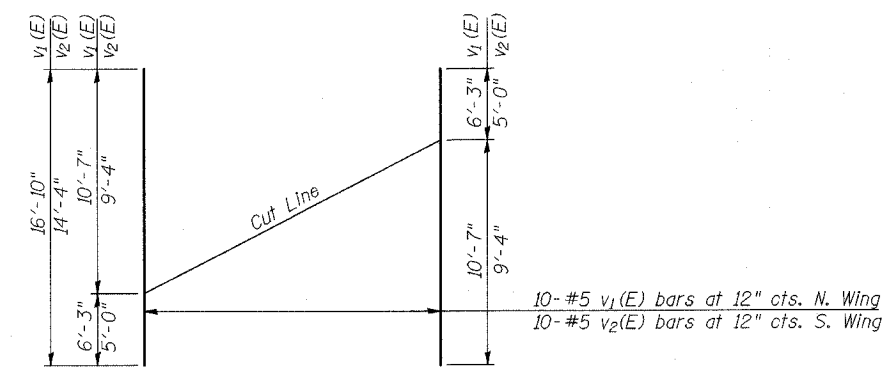
BARS s₆(E) & s₇(E)



BAR h₅(E)



SECTION A-A



FIELD CUTTING DIAGRAM

Order v₁(E) and v₂(E) bars full length. Cut as shown and use remainder of bars in opposite face.

Work this sheet with sheet 18 of 29.

SHEET TITLE		WEST ABUTMENT DETAILS	
PROJECT	IL RTE. 32/33 OVER LITTLE WABASH RIVER	PROJECT NO.	02017
	F.A.P. RTE. 774 SECTION 107BY	SCALE	
	EFFINGHAM COUNTY	DATE	
	STATION 1011+50.17	DRAWN BY	TFG
	STRUCTURE NO. 025-0078	CHECKED BY	GJB/MCB
COOMBE-BLOXDORF P.C.		DRAWING NO.	
Engineers / Land Surveyors		19	
Springfield, Illinois		OF 29 SHTS	
Design Firm License No. 184-002703			