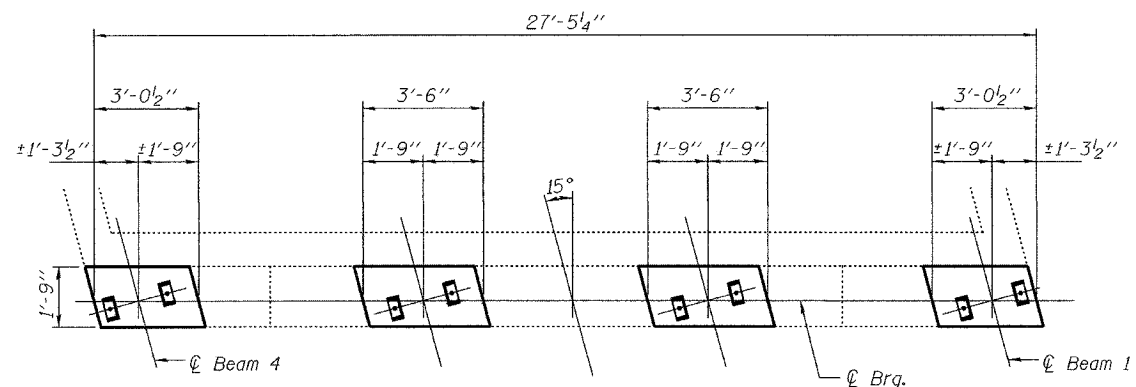


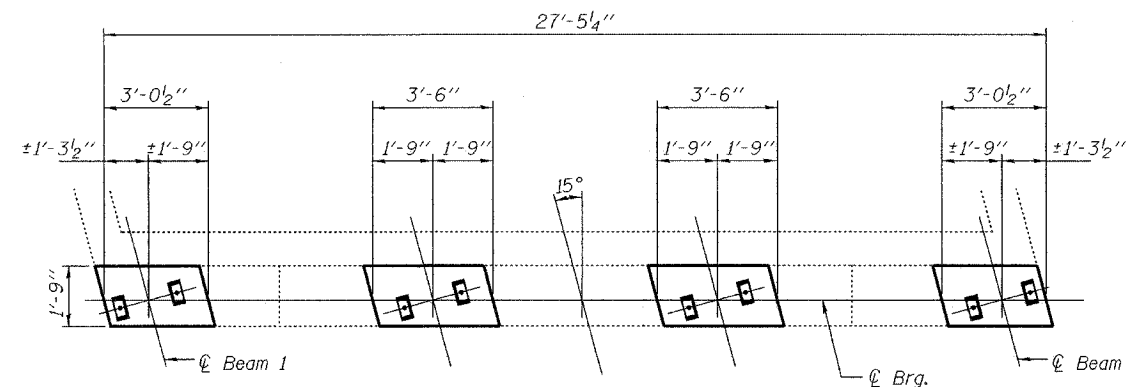
STATE OF ILLINOIS
DEPARTMENT OF TRANSPORTATION

| | | | | | |
|-----------------------|----------|-------------------|--------|-------|-------------|
| ROUTE NO. | SECTION | COUNTY | SHEETS | SHEET | SHEET NO. 4 |
| | | JEFFERSON | 48 | 48 | 4 SHEETS |
| FED. ROAD DIST. NO. 7 | ILLINOIS | FED. AID PROJECT- | | | |

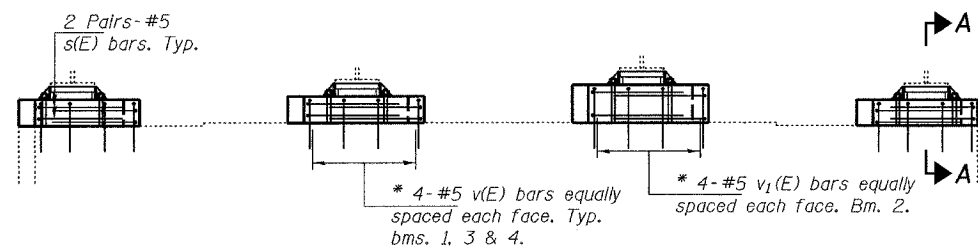
Contract No. 94905



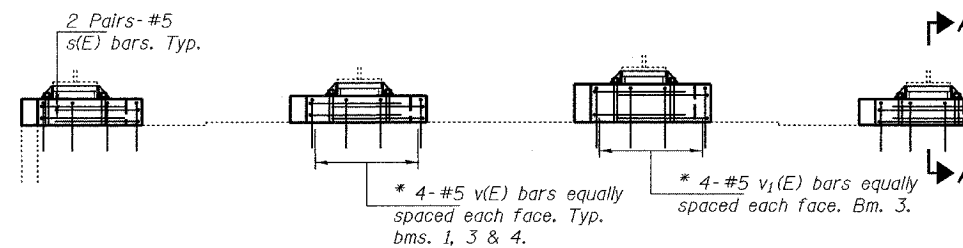
SOUTH ABUTMENT PLAN
South abutment, looking South



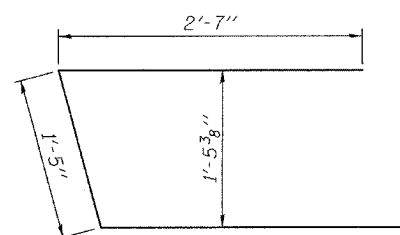
NORTH ABUTMENT PLAN
North abutment, looking North



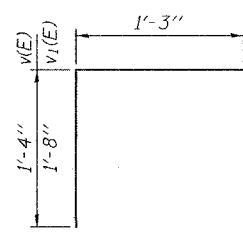
SOUTH ABUTMENT ELEVATION



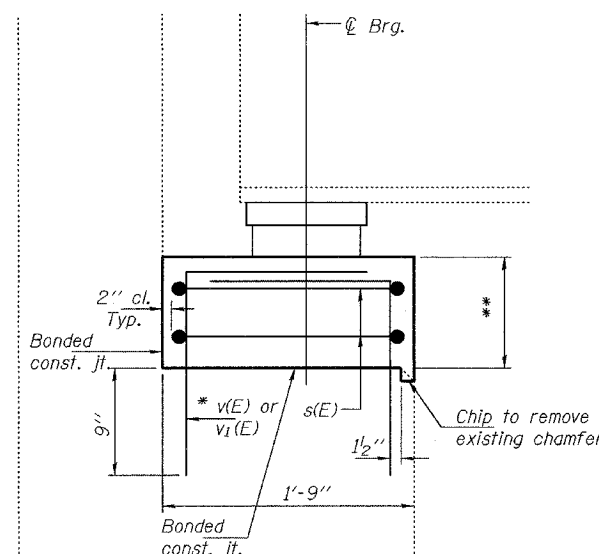
NORTH ABUTMENT ELEVATION



BAR s(E)



BARS v(E) & v1(E)



SECTION A-A

** 9⁵/₁₆" ∅ Beams 1, 3 & 4, S. Abut. & Beams 1, 2, & 4, N. Abut.
13⁵/₁₆" ∅ Beam 2, S. Abut. & Beam 3, N. Abut.

* Epoxy grout v(E) & v1(E) bars in 9" min. holes according to Article 584 of the Standard Specifications.

**TWO ABUTMENTS
BILL OF MATERIAL**

| Bar | No. | Size | Length | Shape |
|----------------------------------|-----|------|---------|-------|
| s(E) | 32 | #5 | 6'-7" | ┌ |
| v(E) | 48 | #5 | 2'-7" | ┌ |
| v1(E) | 16 | #5 | 2'-11" | ┌ |
| Concrete Structures | | | Cu. Yd. | 1.5 |
| Reinforcement Bars, Epoxy Coated | | | Lbs. | 400 |

Reinforcement bars designated (E) shall be epoxy coated.

**REPAIR DETAILS
TR 206 OVER FAI 64
JEFFERSON COUNTY
SN 041-0080**

| | |
|----------|---------|
| DESIGNED | ATH |
| CHECKED | VHV |
| DRAWN | ballva |
| CHECKED | ATH VHV |

APRIL 13, 2005
EXAMINED *John A. Morris*
ENGINEER OF STRUCTURAL SERVICES
PASSED *Ralph E. Anderson*
ENGINEER OF BRIDGES AND STRUCTURES