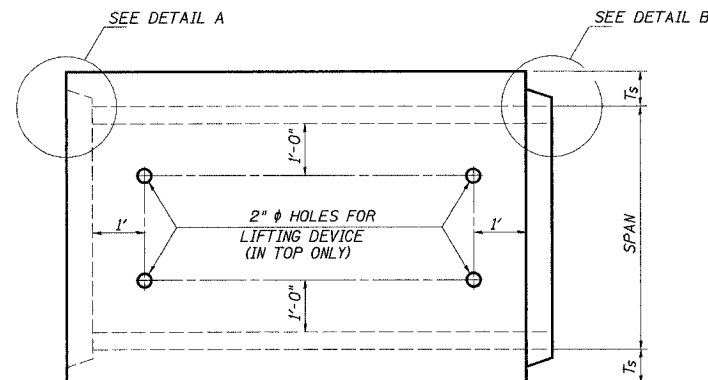
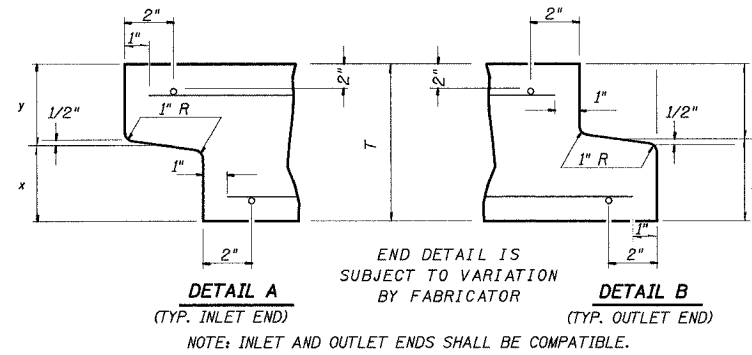


F.A.P. RTE.	SECTION	COUNTY	TOTAL SHEETS	SHEET NO.
750	(112,113) Y, WRS	FAYETTE	159	30
STA.	TO STA.			
FED. ROAD DIST. NO. 7	ILLINOIS	FED. AID PROJECT		

CONTRACT NO. 94927

DETAIL OF PRECAST CONCRETE BOX CULVERT M273M

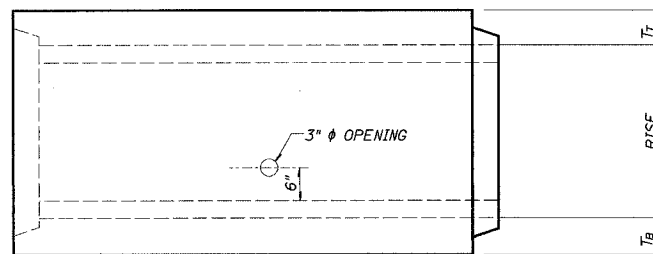
(WITH LESS THAN 2' OF COVER)
AASHTO DESIGNATION M273M
(ASTM DESIGNATION C-850M)
DESIGN LOADING = MS18



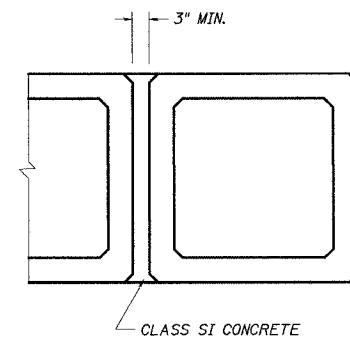
PLAN
LOCATION OF LIFTING HOLES MAY BE VARIED AS NEEDED TO CLEAR REINFORCEMENT.

SECTION LENGTH

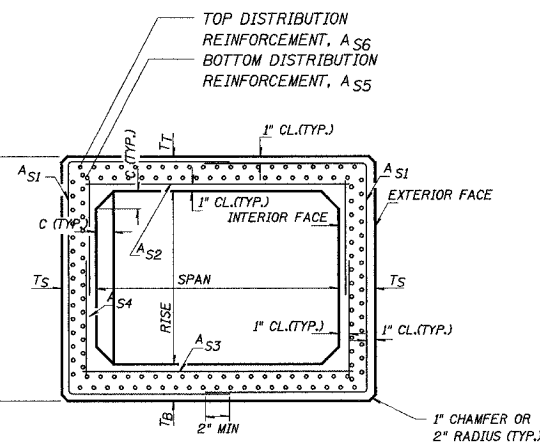
WHEN EXTENDING AN EXISTING BOX, PLACE THIS END AGAINST THE EXISTING HEADWALL.



ELEVATION



MULTIPLE UNIT PLACEMENT



LONGITUDINAL REINFORCEMENT

CROSS SECTION

GENERAL NOTES

SHOP PLANS FOR THE REINFORCEMENT SHALL BE SUBMITTED IN ACCORDANCE WITH THE REQUIREMENTS OF ARTICLE 504.04(g) OF THE STANDARD SPECIFICATIONS.

MINIMUM CONCRETE STRENGTH SHALL BE 5000 PSI AFTER 28 DAYS.

THE JOINTS OF THE PRECAST BOX SECTIONS SHALL BE SEALED IN ACCORDANCE WITH ARTICLE 542.04(d) OF THE STANDARD SPECIFICATIONS FOR ROAD AND BRIDGE CONSTRUCTION.

THE TERMS A_{S6}, A_{S5} ETC. DENOTE THE REQUIRED STEEL AREAS FOR REINFORCEMENT AS SPECIFIED IN ASSHTO M273M.

REINFORCEMENT SHALL BE WELDED WIRE FABRIC CONFORMING TO ASSHTO M55M. LONGITUDINAL DISTRIBUTION REINFORCEMENT MAY CONSIST OF WELDED WIRE FABRIC OR DEFORMED BARS CONFORMING TO ASSHTO M31M, M42M, OR M53M, GRADE 400.

LIFTING HOLES SHALL BE FILLED WITH CONCRETE PLUGS AND MASTIC AFTER THE BOX SECTIONS ARE IN PLACE.

DRAINAGE OPENINGS SHALL BE PROVIDED IN ACCORDANCE WITH ARTICLE 503.12 OF THE STANDARD SPECIFICATIONS. LOCATION AND SPACING OF THE OPENINGS SHALL BE SHOWN ON THE SHOP DRAWINGS.

THE P.C.C. PAVEMENT PATCH REINFORCED WITH PAVEMENT FABRIC (STANDARD 42070) WILL BE CONSTRUCTED OVER THE CULVERT. THE PATCH SHALL BE FULL PAVEMENT WIDTH, AND THE LENGTH SHALL EXTEND 2" BEYOND EACH SIDE OF THE CULVERT.

CULVERT SIZE (FEET)		DIMENSIONS (INCHES)		
SPAN	RISE	T _T	T _B	T _S
3	2	7	6	4
3	3	7	6	4
4	2	7 1/2	6	5
4	3	7 1/2	6	5
4	4	7 1/2	6	5
5	3	8	7	6
5	4	8	7	6
5	5	8	7	6
6	3	8	7	7
6	4	8	7	7
6	5	8	7	7
6	6	8	7	7
7	4	8	8	8
7	5	8	8	8
7	6	8	8	8
7	7	8	8	8
8	4	8	8	8
8	5	8	8	8
8	6	8	8	8
8	7	8	8	8
8	8	8	8	8
9	5	9	9	9
9	6	9	9	9
9	7	9	9	9
9	8	9	9	9
9	9	9	9	9
10	5	10	10	10
10	6	10	10	10
10	7	10	10	10
10	8	10	10	10
10	9	10	10	10
10	10	10	10	10
11	4	11	11	11
11	6	11	11	11
11	8	11	11	11
11	10	11	11	11
11	11	11	11	11
12	4	12	12	12
12	6	12	12	12
12	8	12	12	12
12	10	12	12	12
12	12	12	12	12

REVISIONS	DATE

ILLINOIS DEPARTMENT OF TRANSPORTATION
DETAIL OF PRECAST
CONCRETE BOX
CULVERT SECTION
F.A.P. 750 (IL. RTE. 185)
SECTION 112,113 - FAYETTE CO.

SCALE: DRAWN BY CRO
DATE JANUARY 19, 2005 CHECKED BY RCY

DATE: _____ BY: _____
SUPERVISED: _____
PLAN: _____
NOTE BOOK: _____
NO. _____
SERIALIZED: _____
ALIGNMENT CHECKED: _____
FILE NAME: _____

DATE: _____ BY: _____
SUPERVISED: _____
PLAN: _____
NOTE BOOK: _____
NO. _____
SERIALIZED: _____
ALIGNMENT CHECKED: _____
FILE NAME: _____

08/24/00 AM 01/14/2005 J:\2003\030045\0002\civil\phase 2\kdg\dm\p2.750_detail.sheets.dgn