

4/5/2005  
 c:\projects\894962\d03102pa.dgn  
 INO REV: 05-03-96  
 EC CD  
 1 2 3 4 5 6 7 8 9  
 10 11 12 13 14 15 16 17 18  
 19 20 21 22 23 24 25 26 27  
 28 29 30 31 32 33 34 35 36  
 37 38 39 40 41 42 43 44 45  
 46 47 48 49 50 51 52 53  
 54 55 56 57 58 59 60 61 62 63

BOX CULVERT EXTENSIONS SCHEDULE

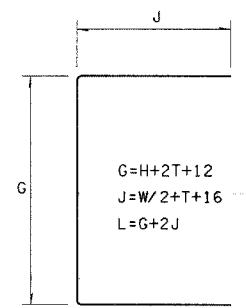
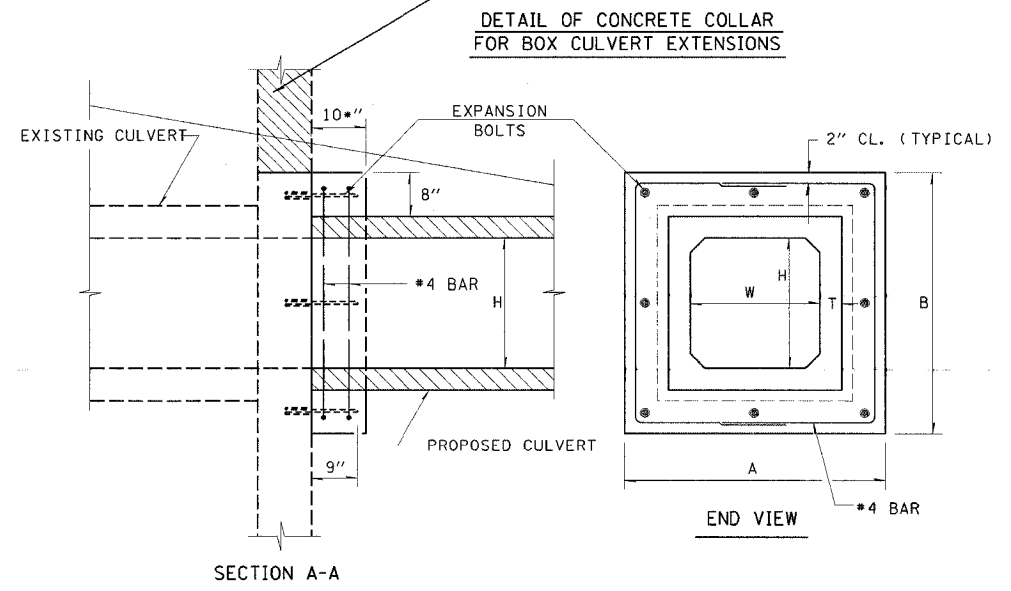
SIDE	STATION	CULVERT TYPE		EXTENSION (FT)	CULVERT NUMBER	PC END SEC. (EA)	EMBANKMENT (CU YD)	A	B	W	H	T	G	J	L	NO. BARS (EA)	WT. (LB)	EXPANSION BOLTS (EA)	CONCRETE COLLAR (EA)
LT	1018+84	PCBC	6 X 2	0	1	1	6	94	47	72	24	7	50	59	168	4	58.4	8	1
RT	1018+84	PCBC	6 X 2	0	1	1	6	94	47	72	24	7	50	59	168	4	58.4	8	1
LT	1019+38	PCBC	6 X 2	0	2	1	6	94	47	72	24	7	50	59	168	4	58.4	8	1
RT	1019+38	PCBC	6 X 2	0	2	1	6	94	47	72	24	7	50	59	168	4	58.4	8	1
LT	1031+35	PCBC	6 X 2	0	3	1	6	98	51	72	24	7	50	59	168	6	87.6	8	1
RT	1031+35	PCBC	6 X 2	10	3	1	60	98	51	72	24	7	50	59	168	6	87.6	8	1
TOTAL							6	90								408.8	48	6	

FAP RFL	SECTION	COUNTY	TOTAL SHEETS	SHEET NO.
750	(114) Y. WRS	FAYETTE	27	74

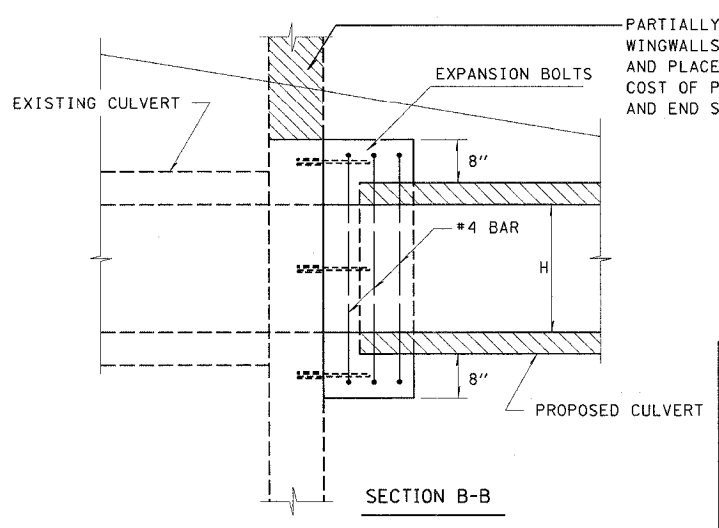
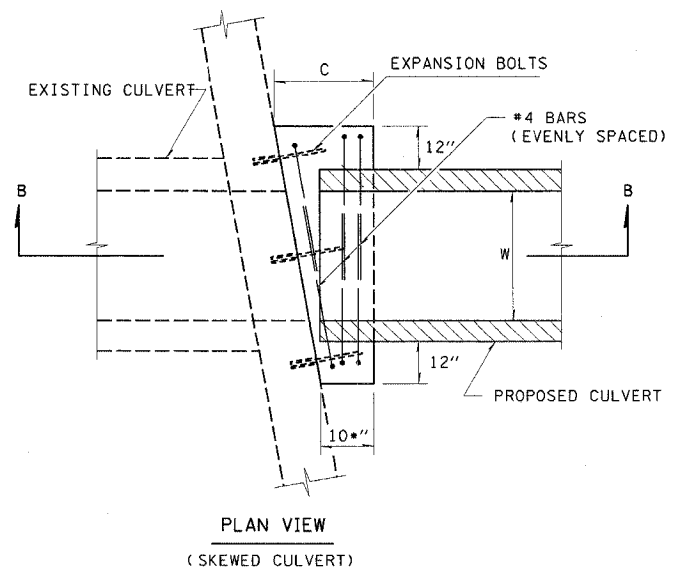
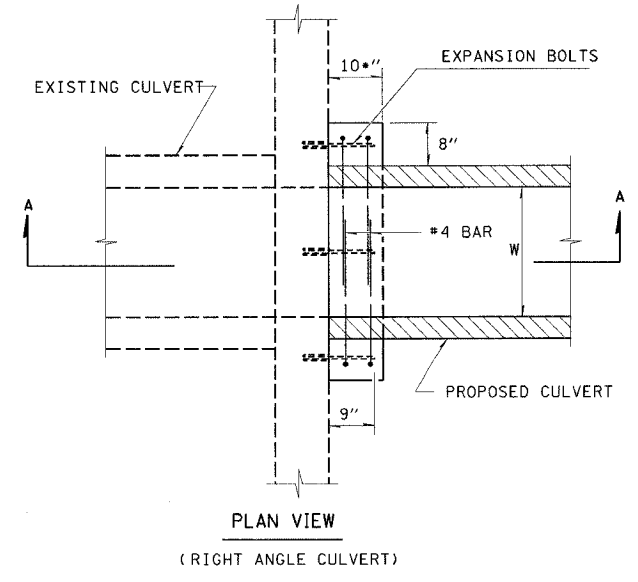
FED. ROAD DIST. NO. 7    ILLINOIS    FED. AID PROJECT NO.

CONTRACT NO. 94962

PARTIALLY REMOVE EXISTING HEADWALL AND WINGWALLS AS REQUIRED TO CLEAR FINAL GRADE AND PLACE EXTENSIONS. COST INCLUDED IN COST OF PRECAST BOX CULVERT EXTENSIONS AND END SECTIONS UNLESS OTHERWISE NOTED.



NOTE: EXPANSION BOLTS SHALL CONSIST OF SELF-DRILLING EXPANSION SHIELDS AND HOOKED BOLTS. HOOKED BOLTS SHALL EXTEND A MINIMUM OF 9" INTO THE NEW CONCRETE.



REVISIONS	
NAME	DATE

ILLINOIS DEPARTMENT OF TRANSPORTATION  
**CONCRETE COLLAR DETAIL FOR BOX CULVERT EXTENSIONS**  
 SCALE: VERT.    DRAWN BY  
 HORIZ.    DATE    ISSUED: 05-03-96    CHECKED BY