

| | | | | |
|----------------------|----------------|-----------|--------------------|-----------|
| ROUTE | SECTION | COUNTY | TOTAL SHEETS | SHEET NO. |
| T.R. 139 | 02-02110-00-BR | EFFINGHAM | 13 | 2 |
| BISHOP ROAD DISTRICT | | ILLINOIS | CONTRACT NO. 95422 | |

DESIGN DATA

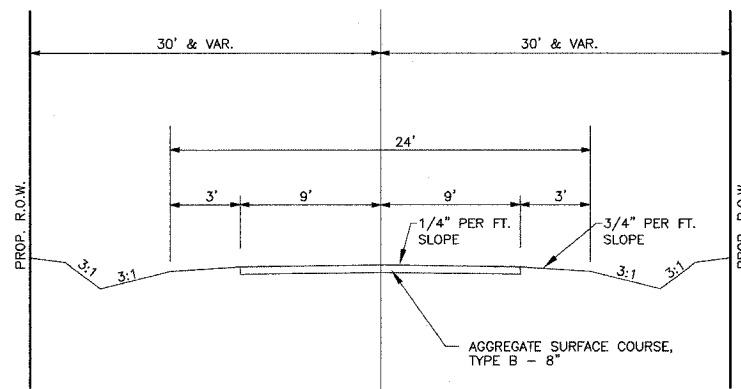
LOCAL ROAD
ADT = 100

GENERAL NOTES

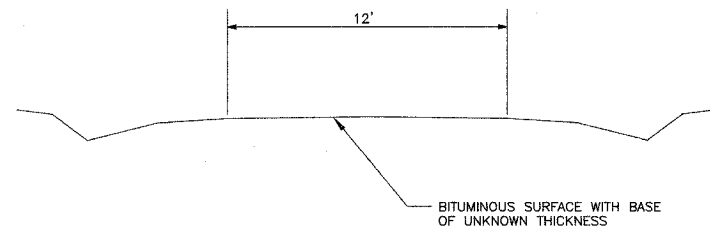
- SEEDING: THIS WORK SHALL BE PERFORMED IN ACCORDANCE WITH THE APPLICABLE PORTIONS OF SECTION 250 OF THE STANDARD SPECIFICATIONS AND SHALL BE PAID FOR AT THE CONTRACT UNIT PRICE FOR SEEDING CLASS 2 (SPECIAL).
 - SPRING SEEDING SHALL EXTEND FROM JANUARY 1 TO JUNE 30
 - FALL SEEDING SHALL EXTEND FROM JULY 1 TO DECEMBER 31
 - FERTILIZER NUTRIENTS SHALL BE APPLIED AT THE RATE OF 100 LB/ACRE
 - MULCHING SHALL BE DONE IN ACCORDANCE WITH ARTICLE 251 OF THE STANDARD SPECIFICATIONS AND SHALL BE DONE BY METHOD 2, PROCEDURE 2 AT THE RATE OF 2 TONS PER ACRE.
2. NO PAYMENT FOR OVERHAUL WILL BE MADE ON THIS SECTION.

SUMMARY OF QUANTITIES

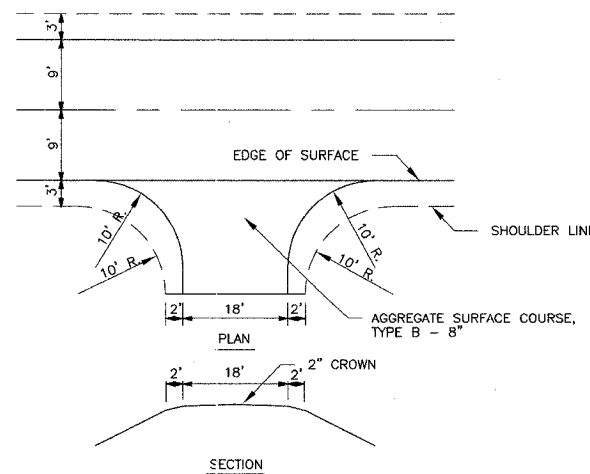
| CODE NO. | ITEM | UNIT | QUANTITY |
|----------|--|-------|----------|
| 20200100 | EARTH EXCAVATION | CU YD | 275 |
| 20300100 | CHANNEL EXCAVATION | CU YD | 160 |
| 20400800 | FURNISHED EXCAVATION | CU YD | 35 |
| 25001000 | SEEDING, CLASS 2 (SPECIAL) | ACRE | 0.45 |
| 28000300 | TEMPORARY DITCH CHECKS | EACH | 4 |
| 28000900 | FENCE (EROSION CONTROL) | FOOT | 200 |
| 28100807 | STONE DUMPED RIPRAP, CLASS A4 | TON | 120 |
| 35101400 | AGGREGATE BASE COURSE, TYPE B | TON | 60 |
| 40200800 | AGGREGATE SURFACE COURSE, TYPE B | TON | 480 |
| 50100100 | REMOVAL OF EXISTING STRUCTURES | EACH | 1 |
| 50300225 | CONCRETE STRUCTURES | CU YD | 17.2 |
| 50400405 | PRECAST PRESTRESSED CONCRETE DECK BEAMS (21" DEPTH) | SQ FT | 1200 |
| 50800105 | REINFORCEMENT BARS | POUND | 1840 |
| 50900205 | STEEL RAILING, TYPE S1 | FOOT | 100 |
| 51201400 | FURNISHING STEEL PILES HP 10X42 | FOOT | 420 |
| 51202700 | DRIVING STEEL PILES | FOOT | 420 |
| 51203400 | TEST PILE STEEL HP 10X42 | EACH | 1 |
| 51204315 | CONCRETE ENCASEMENT | CU YD | 2.1 |
| 51500100 | NAME PLATES | EACH | 1 |
| 542A5485 | PIPE CULVERTS, CLASS A, TYPE 1 EQUIVALENT ROUND SIZE 30" | FOOT | 36 |



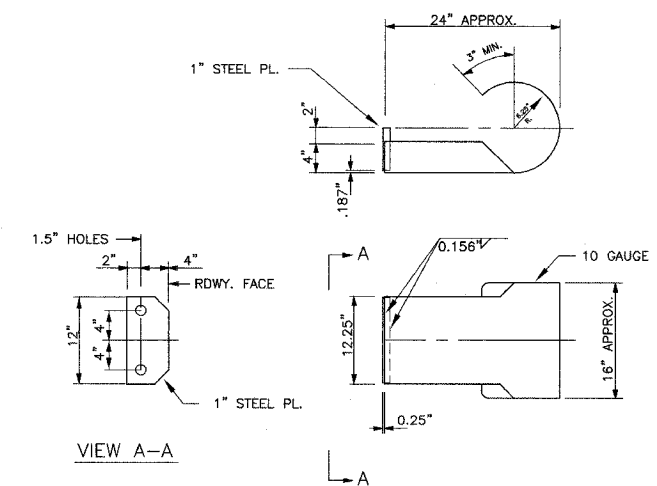
TYPICAL SECTION
PROPOSED



TYPICAL SECTION
EXISTING



PRIVATE ENTRANCE DETAIL



CURL END SECTION DETAILS

4 REQUIRED - COST INCIDENTAL TO
"STEEL RAILING, TYPE S-1"