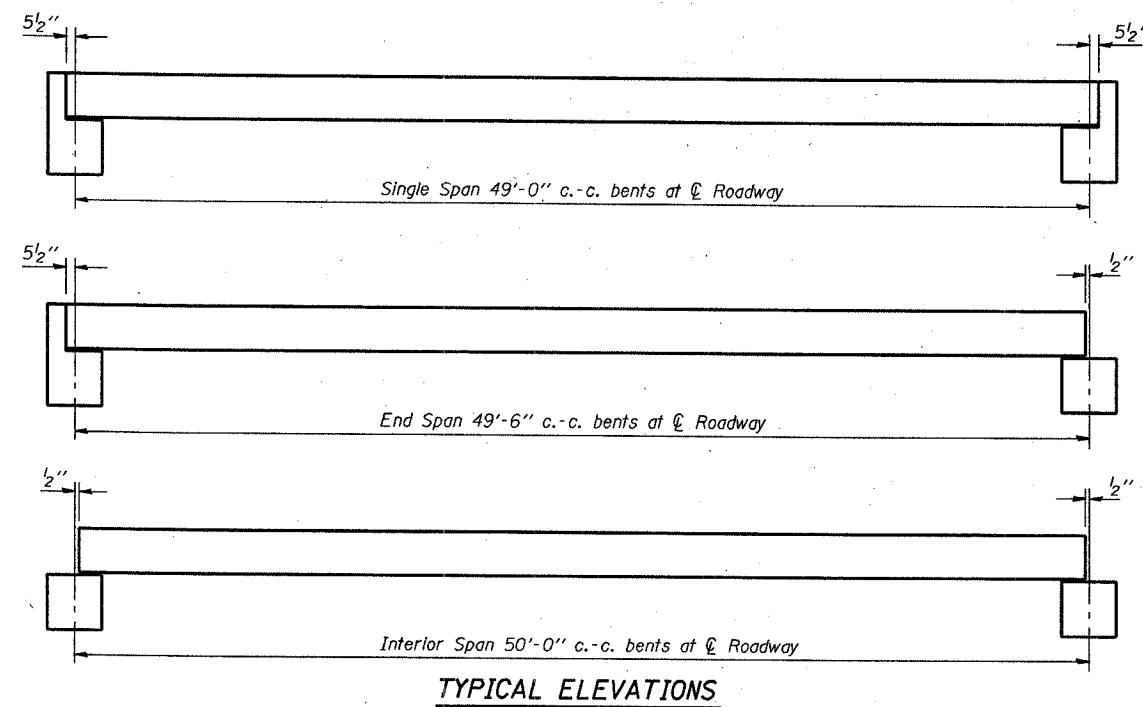


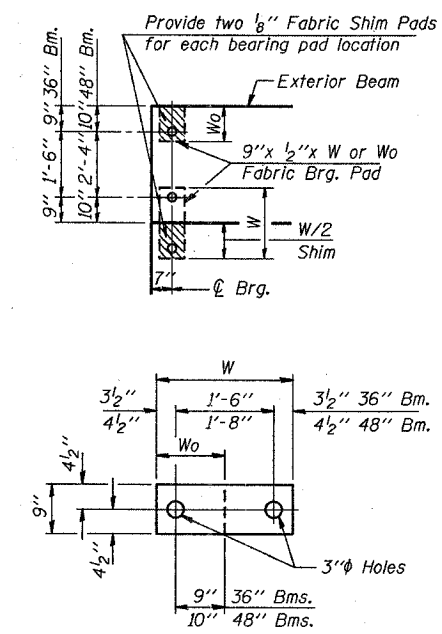
REL.	SECTION	COUNTY	TOTAL SHEETS	SHEET NO.
T.R. 139	*	EFFINGHAM	13	5
FED. ROAD DIST. NO. 7	ALPHEUS	FED. AID PROJECT NO.		

\* 02-02110-00-BR

CONTRACT NO. 95422

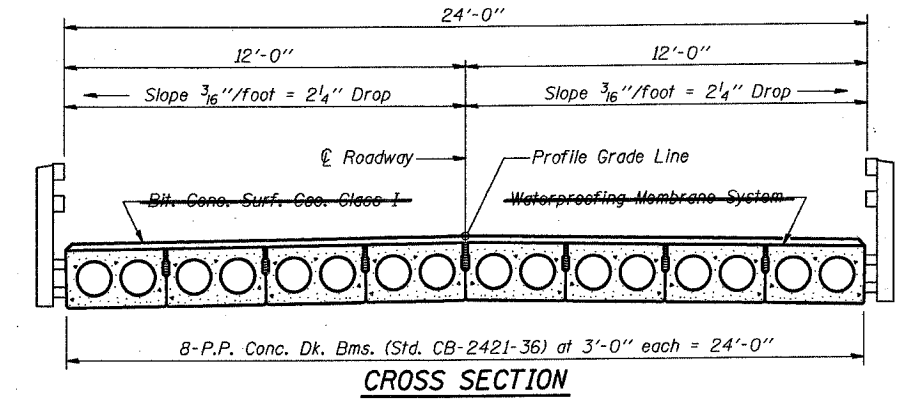


TYPICAL ELEVATIONS

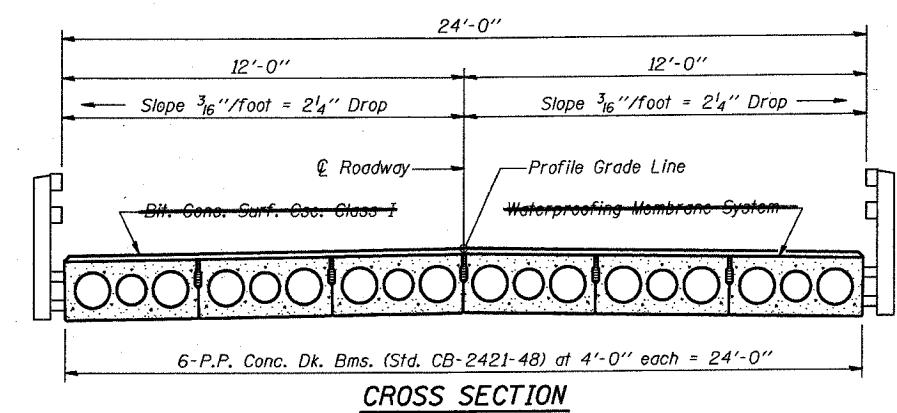


Beam	W	Wo
36"	2'-1"	1'-0 1/2"
48"	2'-5"	1'-2 1/2"

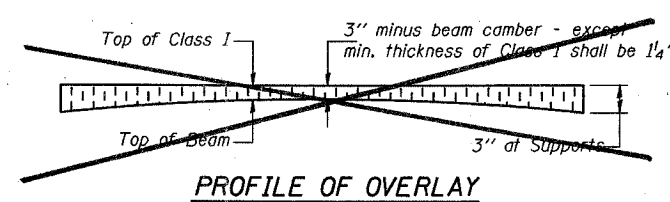
1/2" FABRIC BRG. PAD DETAILS



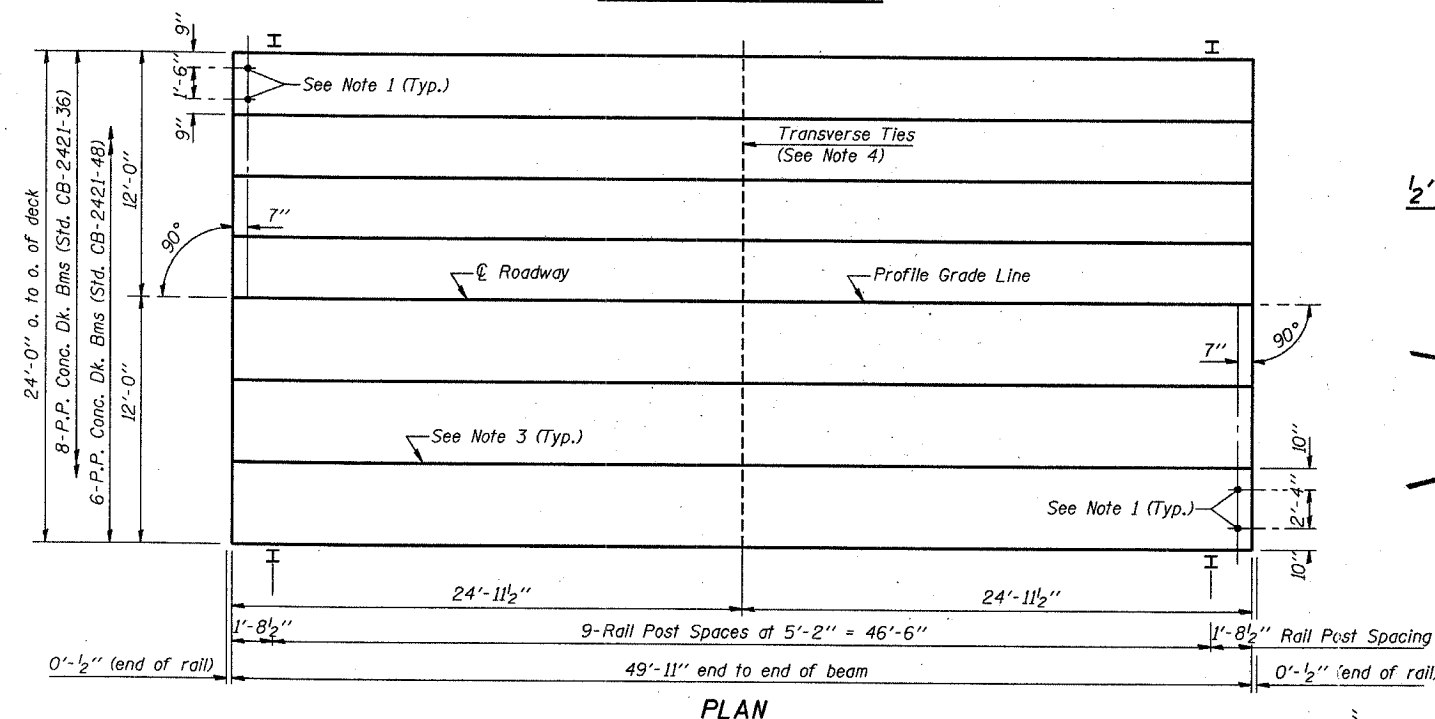
CROSS SECTION



CROSS SECTION



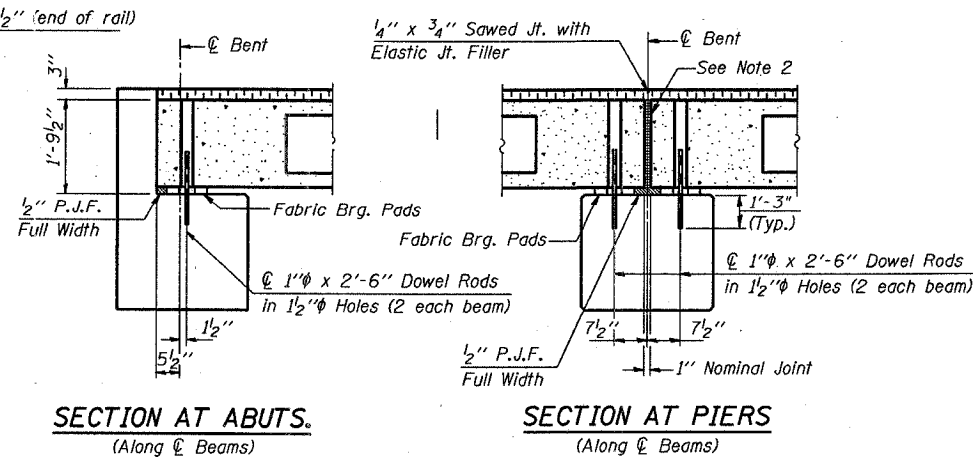
PROFILE OF OVERLAY



PLAN

NOTES

1. After beams have been erected, holes shall be drilled into substructure and anchor dowels placed. Dowel holes shall be filled with non-shrink grout to top of beam and allowed to cure min. 24 hrs. prior to grouting the shear keys.
2. Nominal 1" joint at centerline of pier shall be filled with non-shrink grout.
3. Longitudinal keys shall be grouted.
4. The 1" diameter rods in the transverse tie assembly shall be tightened to a snug fit and the threads set. Pockets that receive transverse tie bar outside shall be filled with grout after transverse tie assembly is in place.



SECTION AT ABUTS.  
(Along centerline of Beams)

SECTION AT PIERS  
(Along centerline of Beams)

QUANTITIES FOR ONE SPAN

P.P. Conc. Dk. Bm. 21" Dp.	1200 Sq. Ft.
Steel Railing	100 Ft.
Bit. Conc. Surf. Cse. Class I	45.0 Tons
Waterproofing Membrane System	133.3 Sq. Yds.

P.P.C. DECK BEAM SUPERSTRUCTURE			
24' RDWY.	21" BMS.	50' SPAN	0° SKEW
STANDARD CS-2421-50			

Illinois Department of Transportation  
 PASSED NOVEMBER 1, 1995  
 Engineer of Bridge Design  
 APPROVED NOVEMBER 1, 1995  
 Engineer of Bridges and Structures