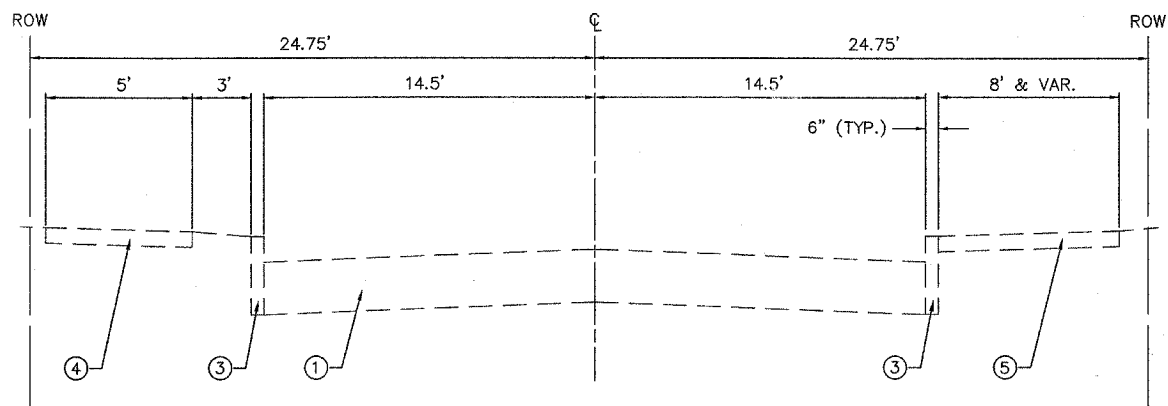
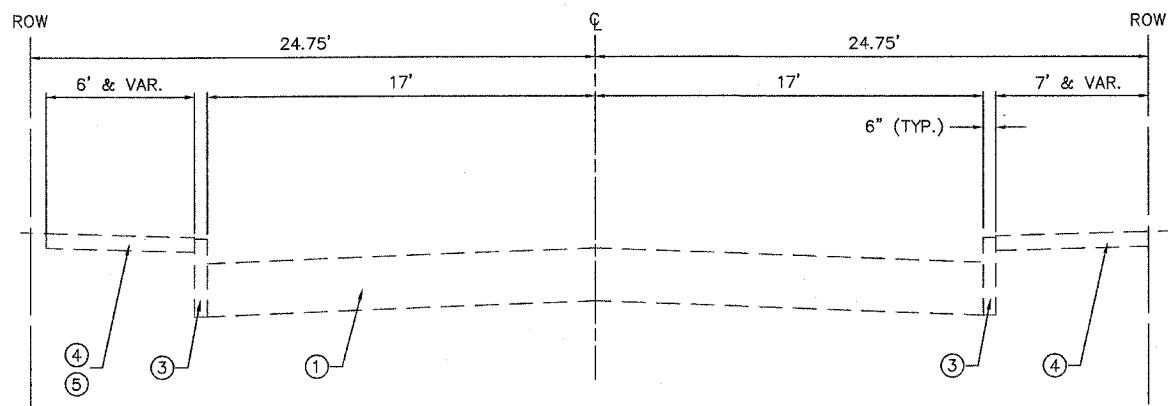


F.A. RTE.	SECTION	COUNTY	TOTAL SHEETS	SHEET NO.
-	01-00193-00-SW	ST. CLAIR	14	3
STA.		TO STA.		
FED. ROAD DIST. NO.		ILLINOIS	FED. AID PROJECT	
EXISTING TYPICAL SECTIONS				
CONTRACT NO. 97230				

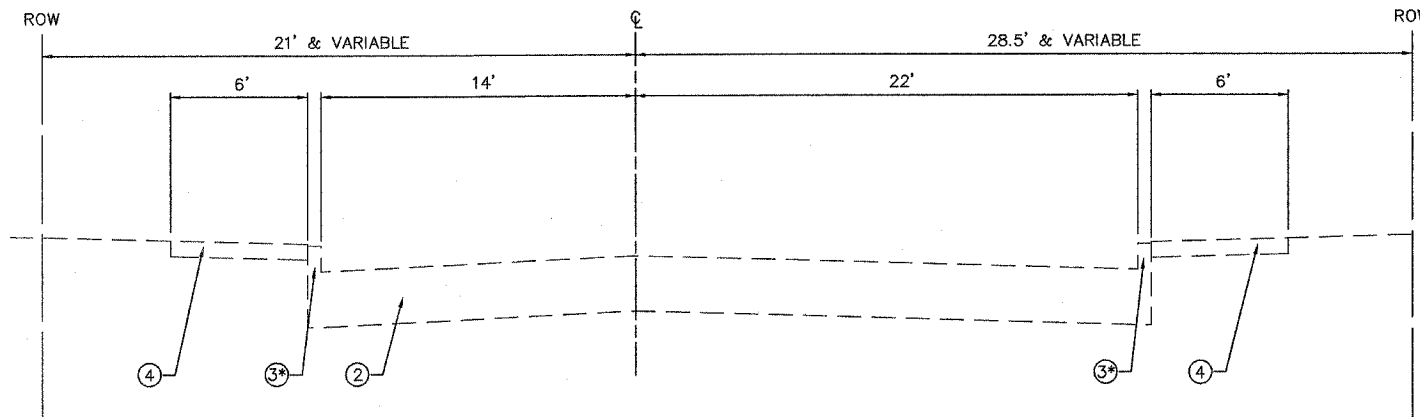


**EXISTING TYPICAL SECTION**  
 STA. 17+00 TO STA. 20+50  
 (NOT TO SCALE)

- ① EXISTING BITUMINOUS CONCRETE PAVEMENT
- ② EXISTING P.C.C. PAVEMENT
- ③ EXISTING CONCRETE CURB
- ④ EXISTING P.C.C. SIDEWALK
- ⑤ EXISTING BRICK SIDEWALK
- ⑥ PROPOSED CONCRETE CURB, TYPE B
- ⑦ PROPOSED BRICK STENCILED P.C.C. SIDEWALK
- ⑧ PROPOSED BRICK SIDEWALK ON RIGID BASE

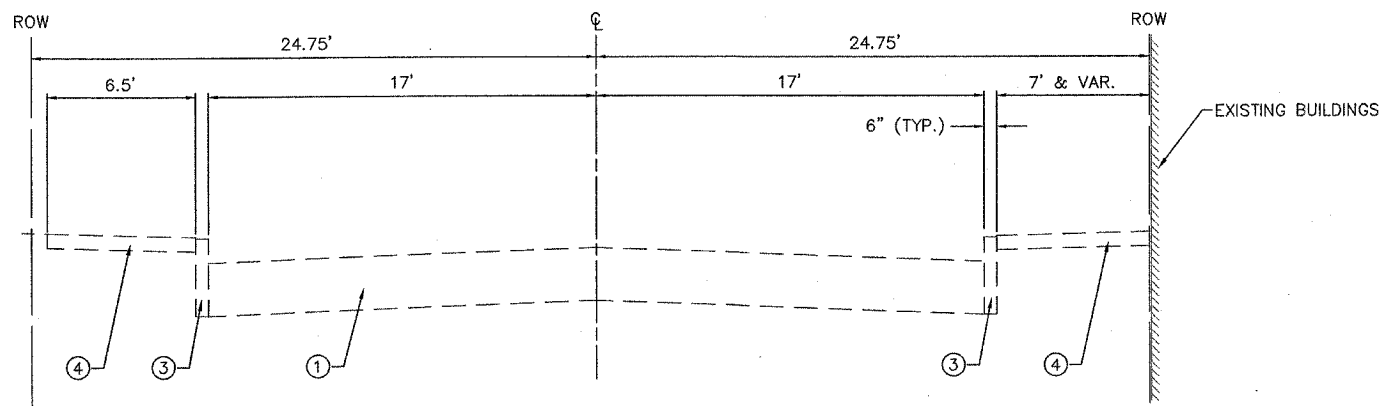


**EXISTING TYPICAL SECTION**  
 STA. 13+50 TO STA. 17+00  
 (NOT TO SCALE)

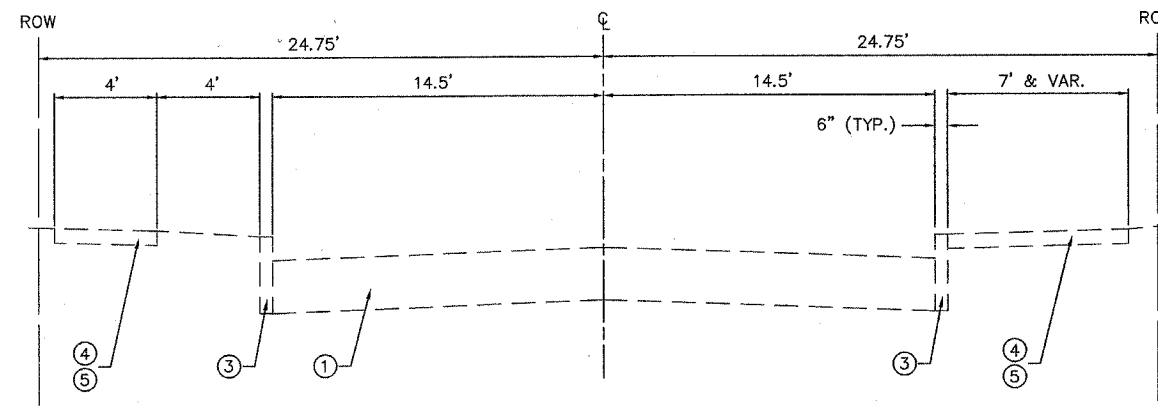


**EXISTING TYPICAL SECTION**  
 STA. 25+20 TO STA. 38+25  
 (NOT TO SCALE)

\* COMB. CONC. CURB & GUTTER, TY B-6.24  
 POURED MONOLITHICALLY WITH PAVEMENT



**EXISTING TYPICAL SECTION**  
 STA. 10+37 TO STA. 13+50  
 (NOT TO SCALE)



**EXISTING TYPICAL SECTION**  
 STA. 20+50 TO STA. 25+20  
 (NOT TO SCALE)

EXISTING BUILDINGS