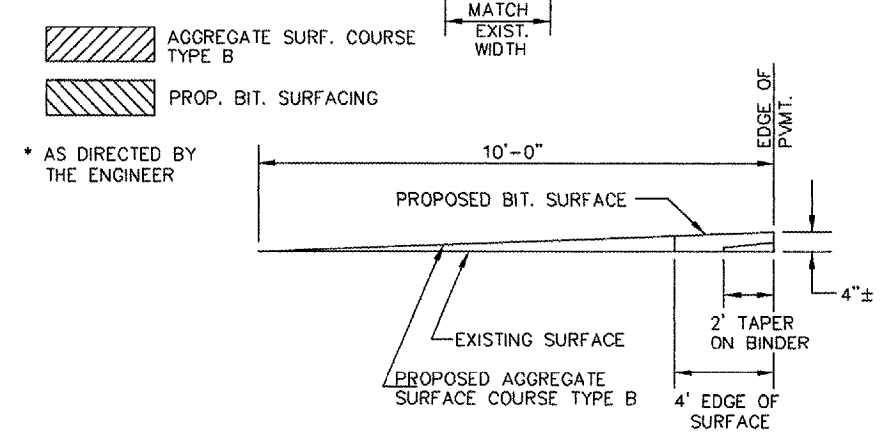
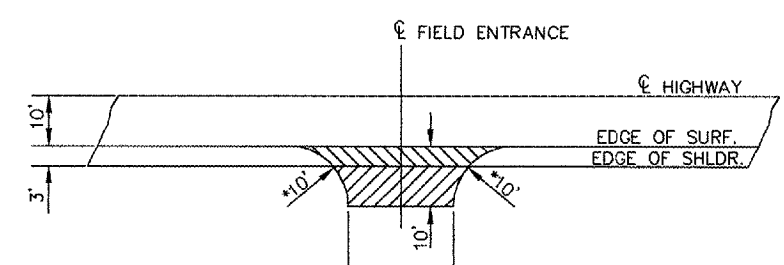


SIDEROAD DETAILS



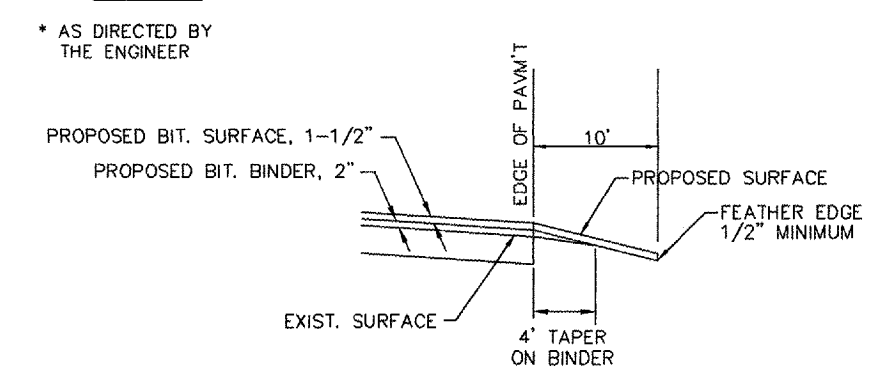
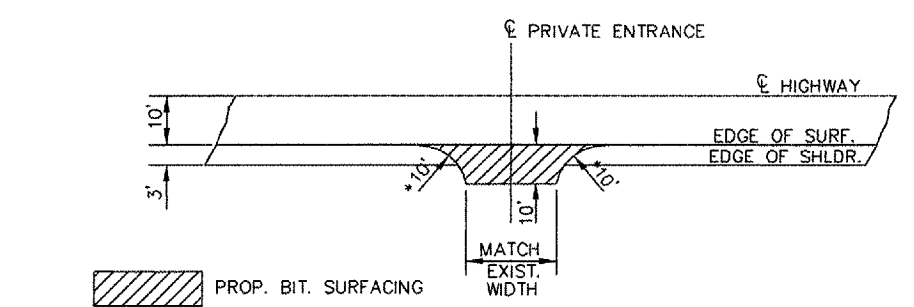
FIELD ENTRANCE DETAILS

SIDEROAD ENTRANCE QUANTITIES	
LOCATION	BIT. CONC. SURF. COURSE, SUPERPAVE MIX C, N70 TON
RT. STA. 14+36.29	11
RT. STA. 27+76.36	12
LT. STA. 54+78.32	11
LT. STA. 81+00.59	8
RT. STA. 81+18.07	11
LT. STA. 93+58.42	21
LT. STA. 107+23.84	6
RT. STA. 121+09.24	12
RT. STA. 147+95.37	10
TOTALS	102 TON

FIELD ENTRANCE QUANTITIES		
ENTRANCES	AGGREGATE SURFACE COURSE TYPE B, TON	BIT. CONC. SURF. COURSE, SUPERPAVE MIX C, N70 TON
ONE (1) ENTRANCE	5	1
TOTAL = 18 ENTRANCES	90	18

MAILBOX TURNOUT QUANTITIES		
TURNOUT	BITUMINOUS MATERIALS PRIME (COAT) GALLON	BIT. CONC. SURF. COURSE, SUPERPAVE MIX C, N70 TON
ONE (1) ENTRANCE	1	2
TOTAL = 12 TURNOUTS	12	24

PRIVATE ENTRANCE QUANTITIES		
ENTRANCES	BITUMINOUS MATERIALS PRIME (COAT) GALLON	BIT. CONC. SURF. COURSE, SUPERPAVE MIX C, N70 TON
ONE (1) ENTRANCE	5	4
TOTAL = 19 ENTRANCES	95	76



PRIVATE ENTRANCE DETAILS

SUMMARY OF QUANTITIES & MISCELLANEOUS DETAILS