

BY	
REVISION	
DATE	

DIMAX
 DEKALB TAYLOR MUNICIPAL AIRPORT
 ILL. PROJ.: DKB-3467

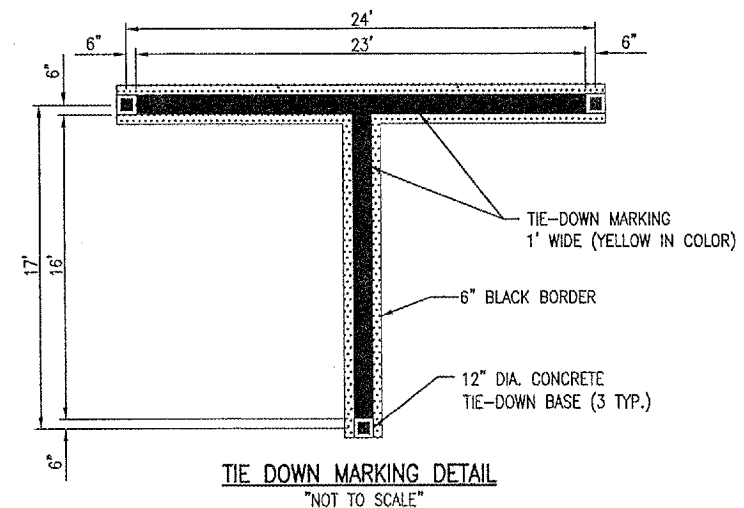
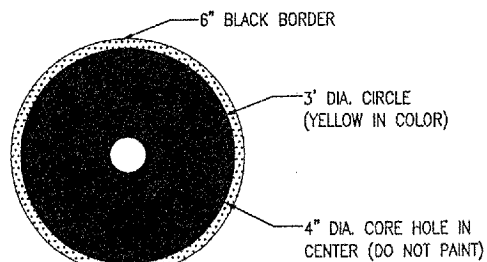
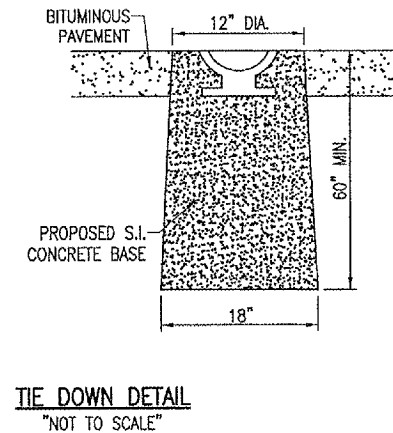
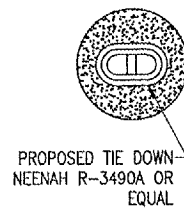
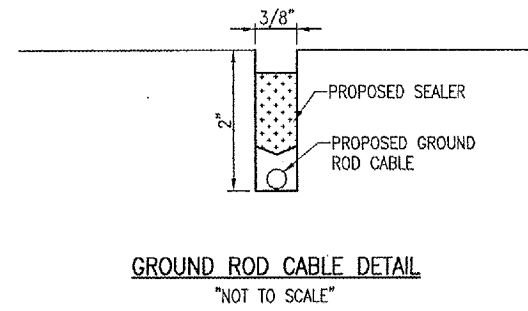
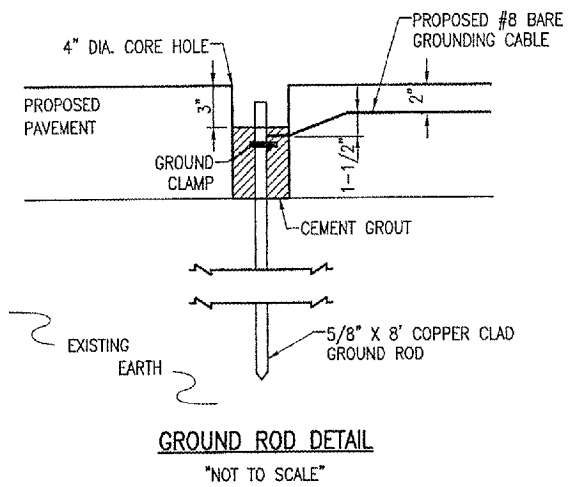
HEL Project No.	803-05APND
Filename	R=552MRK
Scale	NOT TO SCALE
Date	02/10/05
LAYOUT	JMB 02/10/05
DRAWN	JMB 02/10/05
REVIEWED	CAH ?

HANSON
 Hanson Professional Services Inc.
 4525 South Sixth Street
 Springfield, Illinois 62703-2886
 Offices Nationwide

RECONSTRUCT WEST APRON
 PROPOSED MARKING AND TIE DOWN DETAILS

TIE DOWN AND GROUND ROD LOCATIONS

POINT	DESCRIPTION	STATION	OFFSET	NORTHING	EASTING
T-1	TIE DOWN	4+50.00	35.00' LT	1917711.8084	877626.8118
T-2	TIE DOWN	4+62.00	18.00' LT	1917727.2306	877640.7817
T-3	TIE DOWN	4+38.00	18.00' LT	1917703.8096	877646.0217
T-4	TIE DOWN	4+05.00	35.00' LT	1917667.8941	877636.6369
T-5	TIE DOWN	4+17.00	18.00' LT	1917683.3163	877650.6068
T-6	TIE DOWN	3+93.00	18.00' LT	1917659.8953	877655.8468
T-7	TIE DOWN	3+60.00	35.00' LT	1917623.9798	877646.4620
T-8	TIE DOWN	3+72.00	18.00' LT	1917639.4020	877660.4319
T-9	TIE DOWN	3+48.00	18.00' LT	1917615.9810	877665.6719
T-10	TIE DOWN	3+15.00	35.00' LT	1917580.0655	877656.2871
T-11	TIE DOWN	3+27.00	18.00' LT	1917595.4876	877670.2569
T-12	TIE DOWN	3+03.00	18.00' LT	1917572.0667	877675.4970
T-13	TIE DOWN	2+70.00	35.00' LT	1917536.1511	877666.1122
T-14	TIE DOWN	2+82.00	18.00' LT	1917551.5733	877680.0820
T-15	TIE DOWN	2+58.00	18.00' LT	1917528.1524	877685.3221
T-16	TIE DOWN	2+25.00	35.00' LT	1917492.2368	877675.9373
T-17	TIE DOWN	2+37.00	18.00' LT	1917507.6590	877689.9071
T-18	TIE DOWN	2+13.00	18.00' LT	1917484.2380	877695.1472
T-19	TIE DOWN	1+80.00	35.00' LT	1917448.3225	877685.7624
T-20	TIE DOWN	1+92.00	18.00' LT	1917463.7447	877699.7322
T-21	TIE DOWN	1+68.00	18.00' LT	1917440.3237	877704.9723
T-22	TIE DOWN	4+28.00	149.66' RT	1917730.6529	877811.8240
T-23	TIE DOWN	4+46.16	139.51' RT	1917746.1591	877797.9475
T-24	TIE DOWN	4+24.51	129.15' RT	1917722.7702	877792.5862
T-25	TIE DOWN	3+87.40	130.24' RT	1917686.7986	877801.7340
T-26	TIE DOWN	4+05.56	120.09' RT	1917702.3049	877787.8575
T-27	TIE DOWN	3+83.91	109.73' RT	1917678.9160	877782.4762
T-28	TIE DOWN	3+46.81	110.82' RT	1917642.9444	877791.6440
T-29	TIE DOWN	3+64.89	110.62' RT	1917658.3806	877777.7468
T-30	TIE DOWN	3+43.24	90.27' RT	1917634.9717	877772.3655
T-31	TIE DOWN	2+93.92	100.48' RT	1917589.0773	877793.0993
T-32	TIE DOWN	3+08.86	86.15' RT	1917600.5215	877775.8538
T-33	TIE DOWN	2+85.13	81.40' RT	1917576.5269	877776.3606
T-34	TIE DOWN	2+49.71	92.09' RT	1917544.1012	877794.5634
T-35	TIE DOWN	2+64.65	77.76' RT	1917555.5453	877777.3179
T-36	TIE DOWN	2+41.12	73.01' RT	1917531.5507	877777.8247
G-1	GROUND ROD	4+27.50	13.00' LT	1917694.6546	877653.1936
G-2	GROUND ROD	3+37.50	13.00' LT	1917606.8260	877672.8438
G-3	GROUND ROD	2+47.50	13.00' LT	1917518.9974	877692.4940
G-4	GROUND ROD	2+02.50	13.00' LT	1917475.0830	877702.3191
G-5	GROUND ROD	4+17.19	120.11' RT	1917713.6586	877785.3391
G-6	GROUND ROD	3+76.60	100.69' RT	1917669.8044	877775.2492
G-7	GROUND ROD	2+75.92	74.67' RT	1917565.8734	877771.8419



04.28.2005, 01:25 PM DPE

I:\AIRPORTS\DEKALB\003-05APND\AIRPORT\SHEET\SR-052MRK.DGN