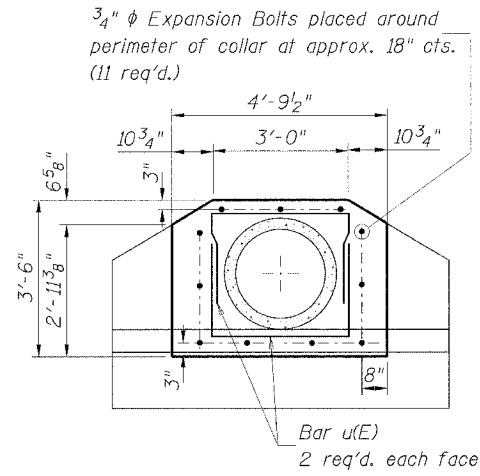
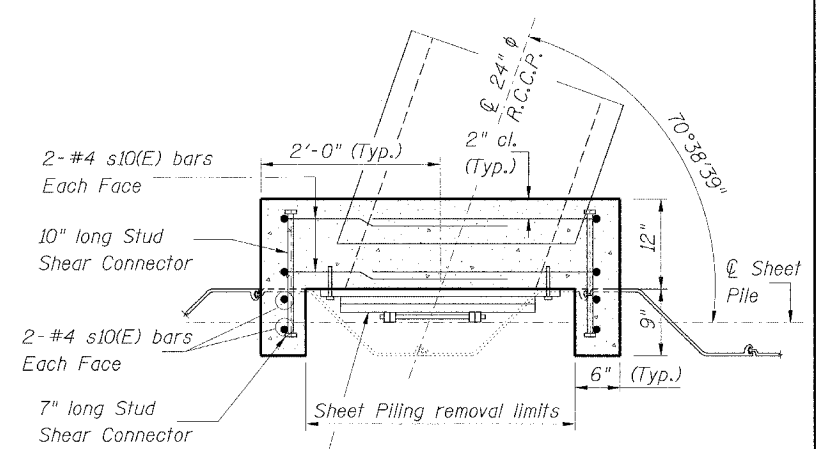


SECTION D-D

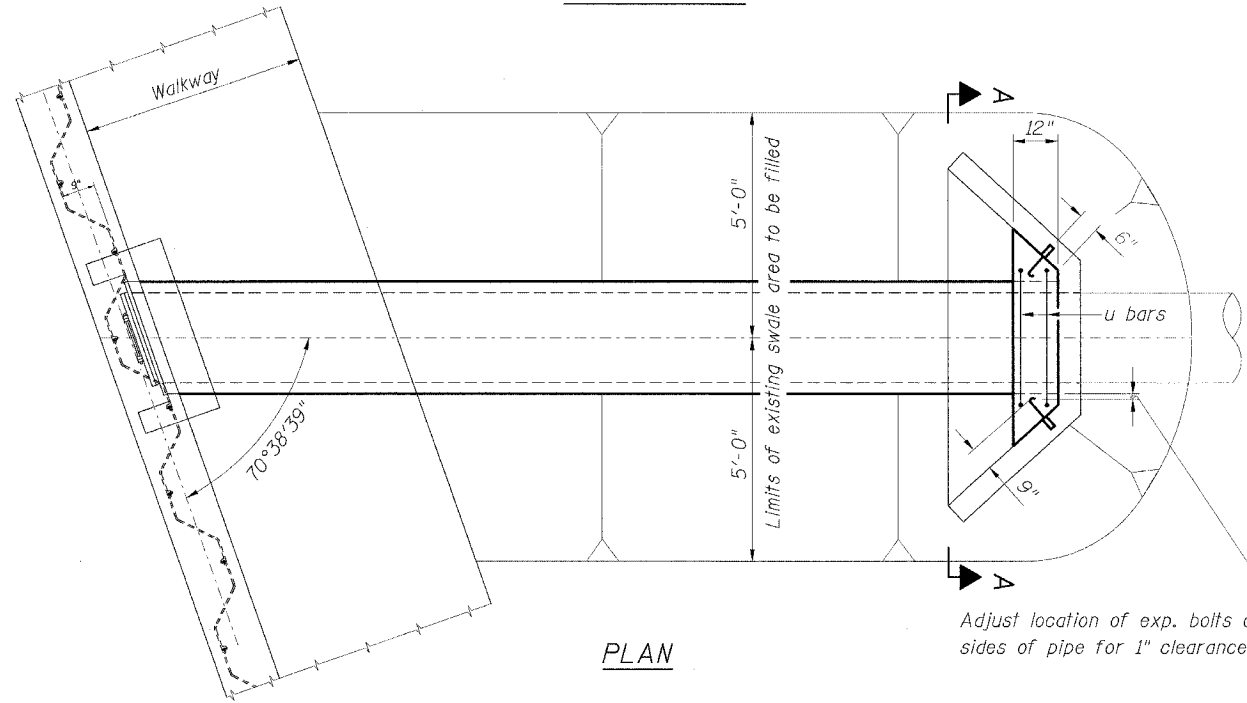


SECTION A-A



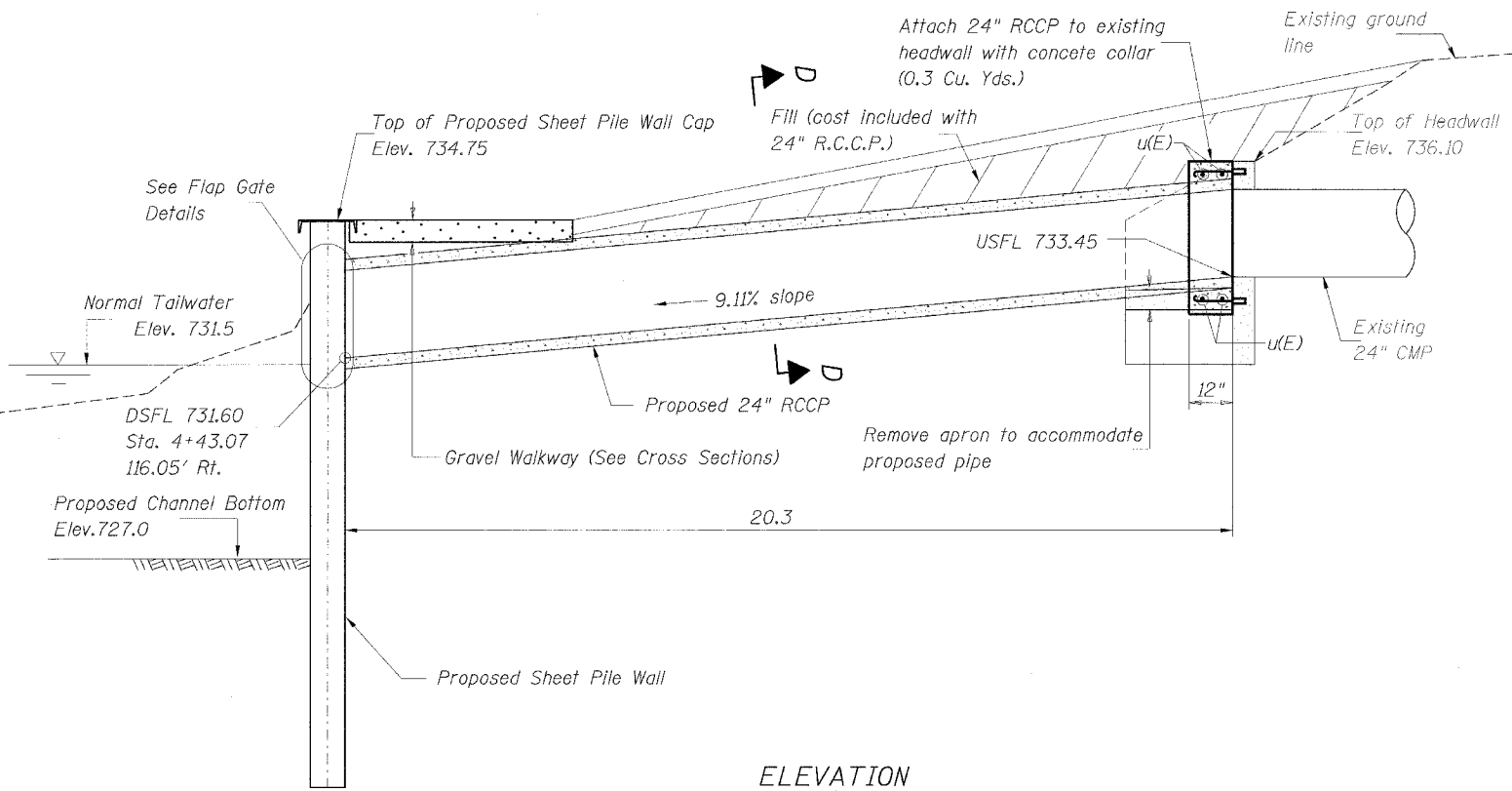
SECTION B-B

Rodney Hunt Series FV-SPR  
Flap Valve or appr. equal.  
Note the dimensional constraints  
for hinges if any substitutions  
are proposed.

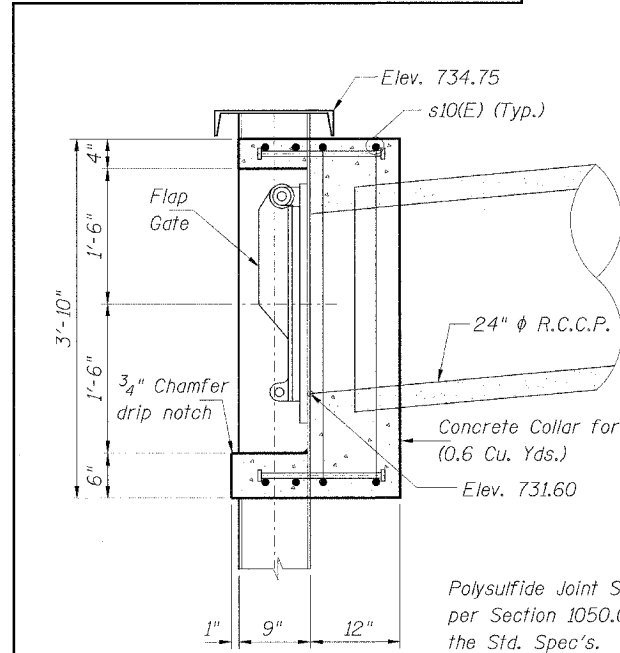


PLAN

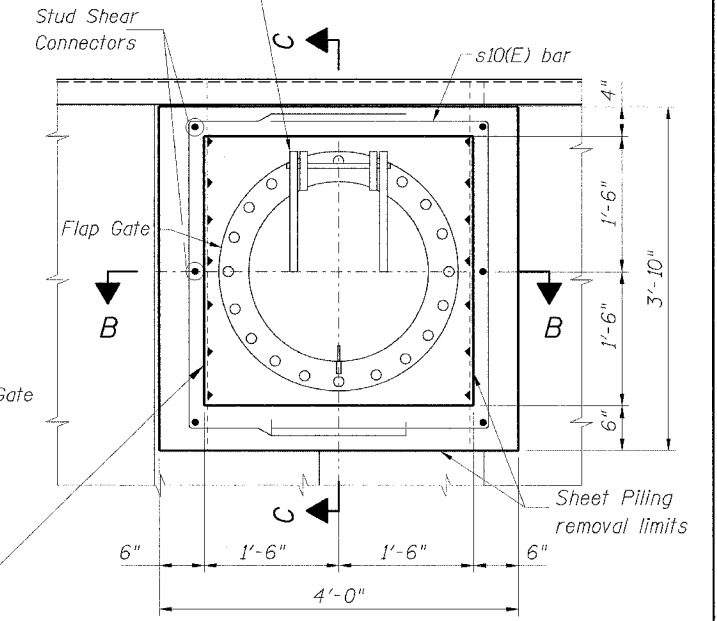
Adjust location of exp. bolts on  
sides of pipe for 1" clearance



ELEVATION

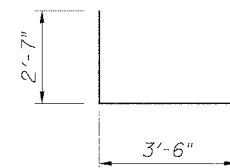


SECTION C-C

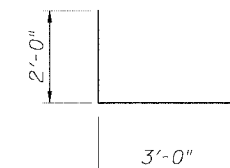


ELEVATION VIEW

FLAP GATE DETAILS



BAR s10(E)



BAR u(E)

BILL OF MATERIAL

Bar	No.	Size	Length	Shape
u(E)	4	#4	7'-0"	U
s10(E)	8	#4	8'-8"	U
Expansion Bolts 3/4 Inch	Each			11
Concrete Collar			Cu. Yd.	0.9
Reinf. Bars, Epoxy Coated			Pound	70
Pipe Culverts, Ty. 1 RCCP 24"			Foot	20
Stud Shear Connectors	Each			12
Flap Gate 24"	Each			1

Designed By Timm checked by JF  
 Drawn By JF checked by Timm  
 H:\Overnight\p\pic\4\water\boundary\000\PP\extension details.dwg  
 05/05/2005 12:39:05 PM