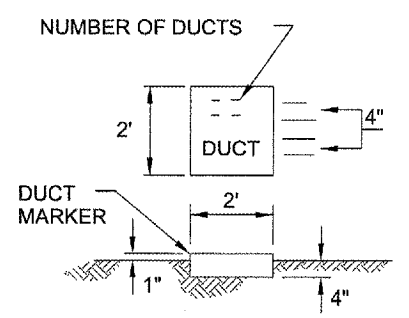
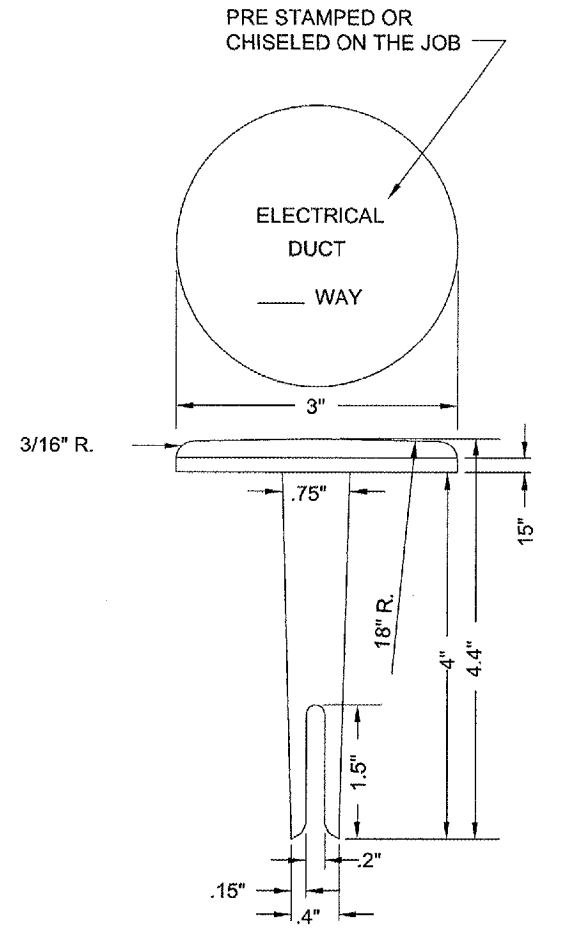


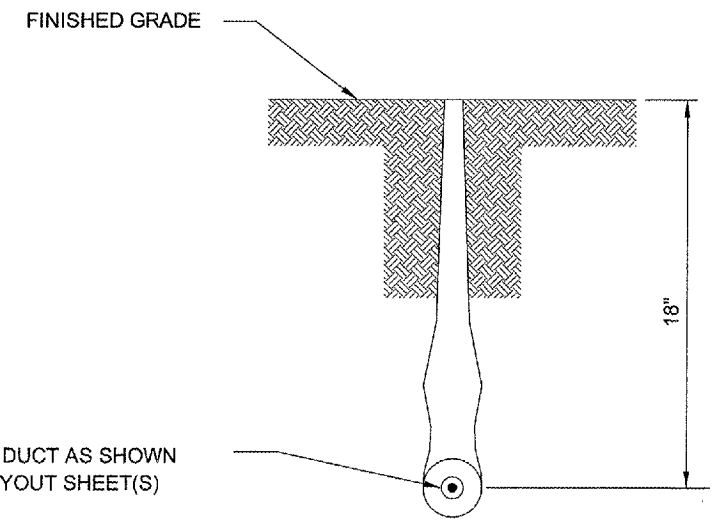
TURF CABLE MARKERS
NO SCALE



TURF DUCT MARKER
NO SCALE



PAVEMENT DUCT MARKER
NO SCALE



PLOWED CABLE
NO SCALE

NOTES:

1. MARKERS SHALL BE PLACED AS SPECIFIED IN ITEMS 108, 109 & 125 OF THE SPECIFICATIONS.
2. COST OF CONCRETE MARKERS IS INCIDENTAL TO THE ASSOCIATED ITEMS OF DUCT OR CABLE.
3. EDGE EXPOSED CONCRETE WITH A 1/2" RADIUS TOOL.
4. WHERE ADDITIONAL SPACE TO FIT THE LEGEND IS REQUIRED, SOME OF THE FOLLOWING METHODS SHALL BE EMPLOYED:
 - A. REDUCE LETTER SIZE TO 3" HIGH, 2" WIDE
 - B. INCREASE THE MARKER SIZE TO 30" x 30" MAX.
 - C. PROVIDE ADDITIONAL MARKERS PLACED SIDE BY SIDE.

CABLE AND DUCT MARKERS
NO SCALE