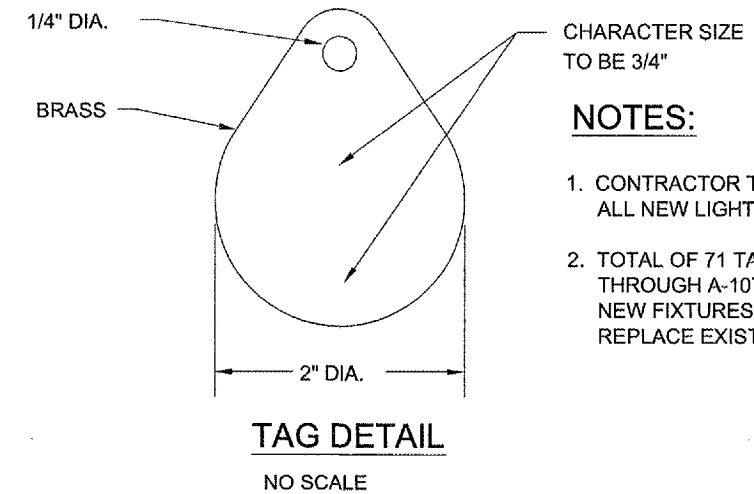


**CABLE SPLICING NOTES:**

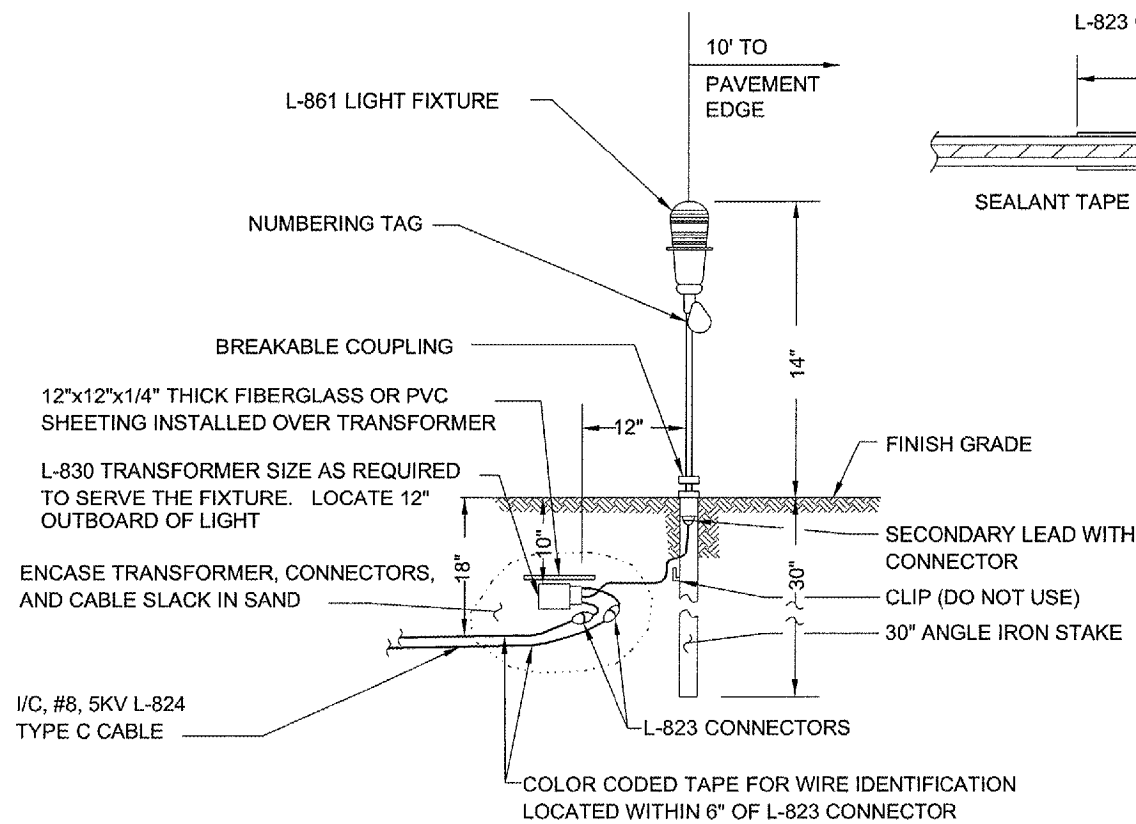
- HEAT-SHRINKABLE TUBING WILL NOT BE REQUIRED FOR ISOLATION TRANSFORMER PRIMARY CONNECTORS WHICH ARE MOLDED ON TO THE CABLE LEADS AT THE FACTORY.
- THE SEALANT TAPE AROUND THE CONNECTOR SHALL BE WATER INSOLUBLE, MAINTAINING ELASTICITY OVER A WIDE RANGE OF TEMPERATURE, AND SHALL BE RAYCHEM NO. S-1011 OR APPROVED EQUAL.
- HEAT-SHRINKABLE TUBING SHALL HAVE MINIMUM EXPANDED ID. OF 1.200", MAXIMUM RECOVERED ID. OF .300", MINIMUM EXPANDED WALL THICKNESS OF .04", NOMINAL RECOVERY WALL THICKNESS OF 0.17", A MASTIC WATER SEALANT COATING APPLIED ON THE INSIDE, AND SHALL BE RAYCHEM NO. WCS-300-6-S OR APPROVED EQUAL.
- MINIMUM LENGTH OF THE HEAT-SHRINKABLE TUBING SHALL BE 6".
- CLEAN THE CABLE INSULATION BEFORE APPLYING THE TUBING WITH A SOLVENT SPECIFIED BY THE TUBING MANUFACTURER.
- TO HEAT THE TUBING, USE PROPANE TORCH, OR ELECTRIC HEATER RECOMMENDED BY THE TUBING MANUFACTURER.
- BEGIN HEATING THE TUBING AT THE CENTER, GO COMPLETELY AROUND, THEN MOVE TOWARD THE ENDS.
- CONTINUE HEATING THE TUBING UNTIL IT SHRINKS COMPLETELY AND THE SEALANT IS BEING SQUEEZED OUT AT BOTH ENDS.
- IF THERE IS ANY NOTICEABLE HEAT DAMAGE TO THE CABLE OR THE TUBING, THE CONNECTION, INCLUDING THE DAMAGED PORTION, WILL BE REMOVED AND ANOTHER CONNECTION MADE.
- ALLOW THE CONNECTION TO COOL BEFORE HANDLING.
- INSTALL THE CONNECTIONS WITHOUT BENDING THEM.
- THE CONTRACTOR SHALL TRAIN THE AIRPORT MAINTENANCE PERSONNEL IN THE EMPLOYMENT OF CABLE CONNECTION WITH HEAT-SHRINKABLE TUBING. THE INSTRUCTION SHALL INCLUDE AT LEAST TWO ASSEMBLIES AND DISASSEMBLIES FOR SUCH CONNECTIONS.
- AFTER COMPLETION OF THE CONSTRUCTION, THE CONTRACTOR SHALL TRANSFER ONE OF THE HEATER UNITS TO THE AIRPORT MANAGER. IT SHALL BECOME THE PROPERTY OF THE AIRPORT.

HARRISBURG-RALEIGH AIRPORT  
 IL PROJECT NO. HSB-3422  
 AIP NO. 3-17-0050-B6  
 ELECTRICAL DETAILS  
**SHEET 24 OF 24**  
**HA020**



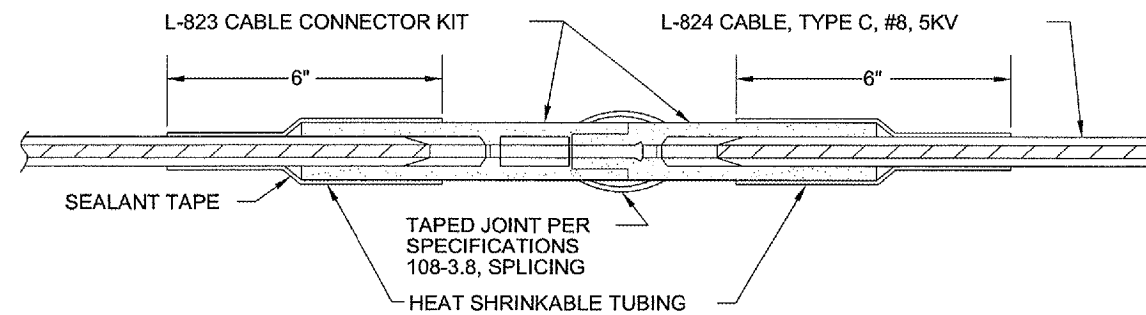
**NOTES:**

- CONTRACTOR TO INSTALL NEW TAGS ON ALL NEW LIGHTS.
- TOTAL OF 71 TAGS REQUIRED - LABELED A-37 THROUGH A-107. 20 TAGS ARE DEDICATED TO NEW FIXTURES, AND THE REMAINDER SHALL REPLACE EXISTING TAGS.



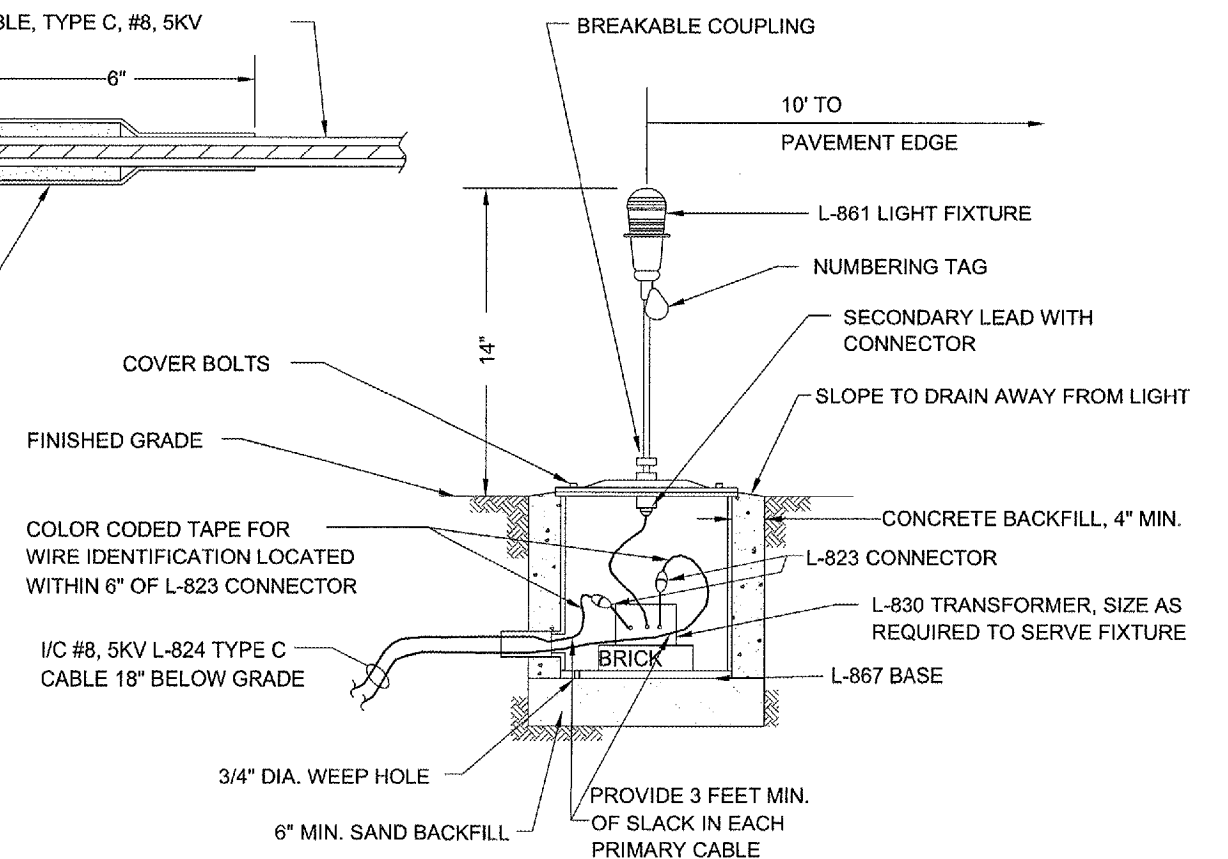
**MEDIUM INTENSITY LIGHT - STAKE MOUNTED**

NO SCALE



**DETAIL - CABLE SPLICING**

NO SCALE



**MEDIUM INTENSITY LIGHT - BASE MOUNTED**

NO SCALE