

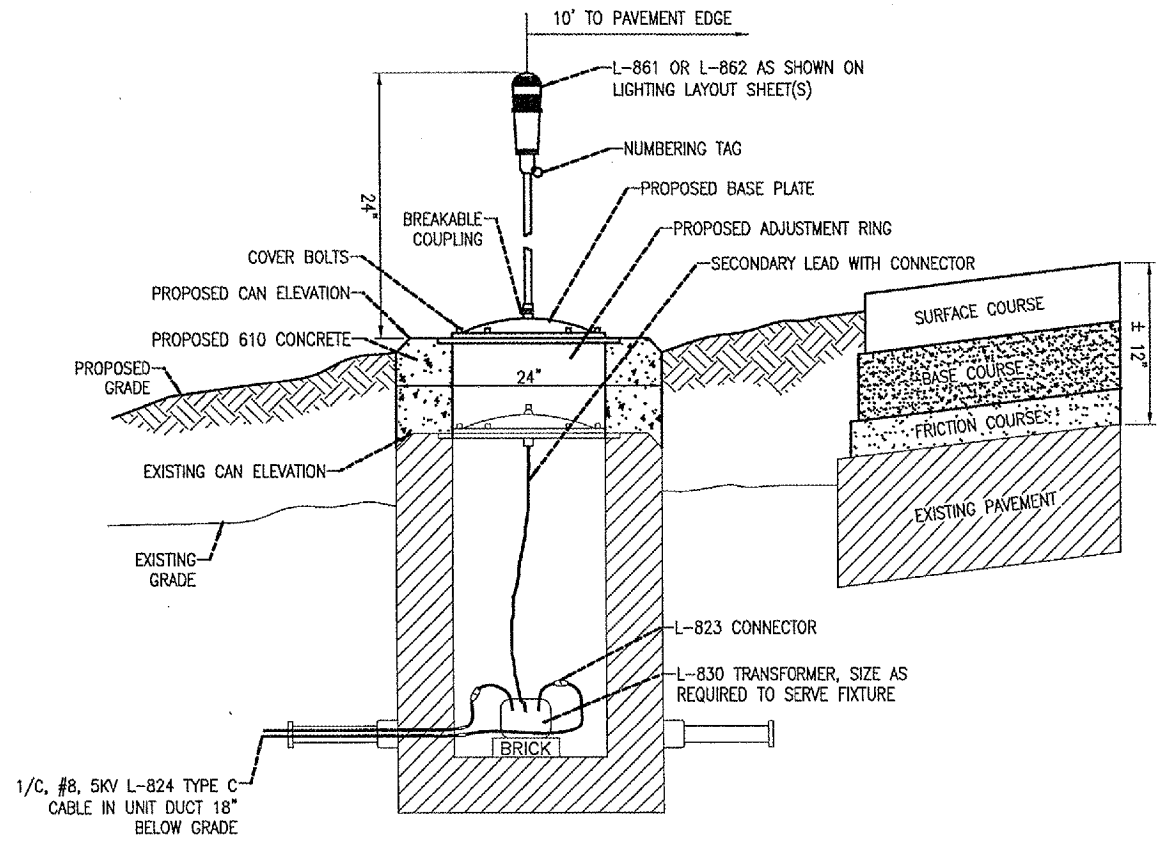
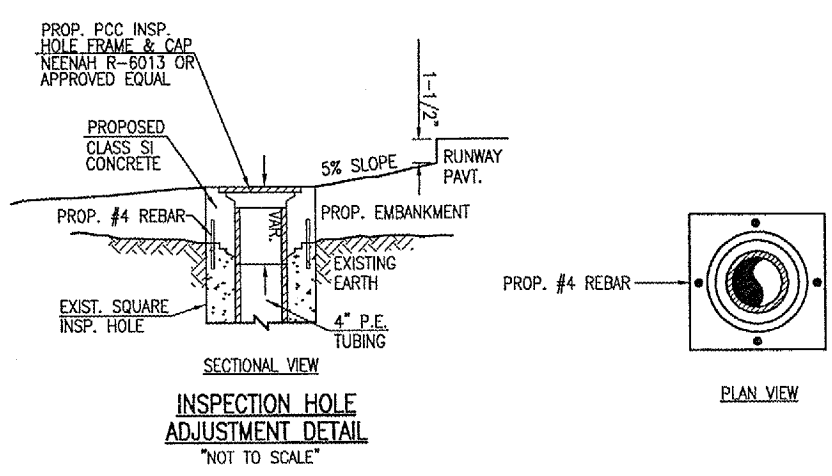
DATE	REVISION	BY

OLNEY-NOBLE AIRPORT  
 OLNEY, ILLINOIS  
 RICHLAND COUNTY

HEL Project No. 820-05RWY	FILENAME R-503DET.DGN	LAYOUT MEW	05/13/05
Scale NO SCALE	Date 05/06/2005	DRAWN MEW	05/13/05
		REVIEWED CAH	05/13/05

**HANSON**  
 Hanson Professional Services, Inc.  
 4227 Central Expressway, Suite 130  
 St. Louis, MO 63045-1308  
 Offices Nationwide

REHABILITATE  
 RUNWAY 3-21  
 PROPOSED  
 LIGHT ADJUSTMENT  
 DETAIL



I:\AIRPORTS\OLNEY\820-05RWY\AIRPORT\SHEETS\R-503DET.DGN 05/17/2005 02:45 PM NEW