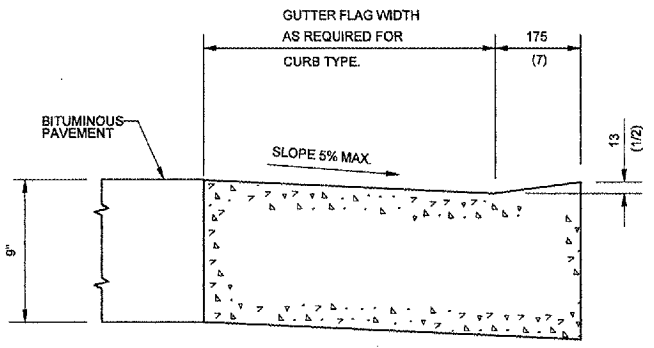
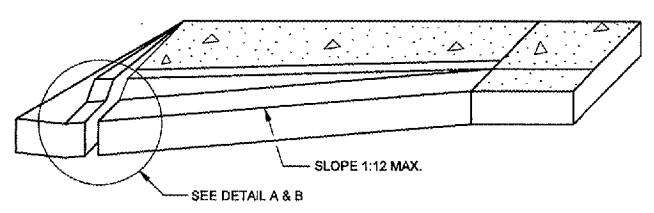


REVISIONS		
NUMBER	BY	DATE

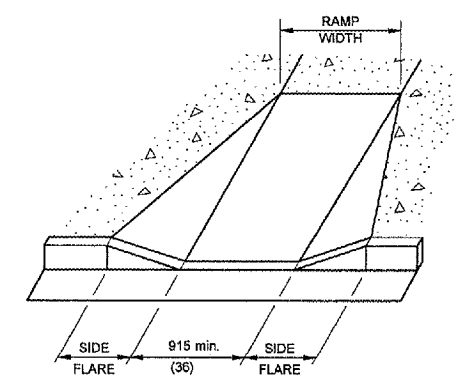
0 1 2  
THIS BAR IS EQUAL TO 2"  
AT FULL SCALE (34X22).  
PLOT 1



DEPRESSED CURB



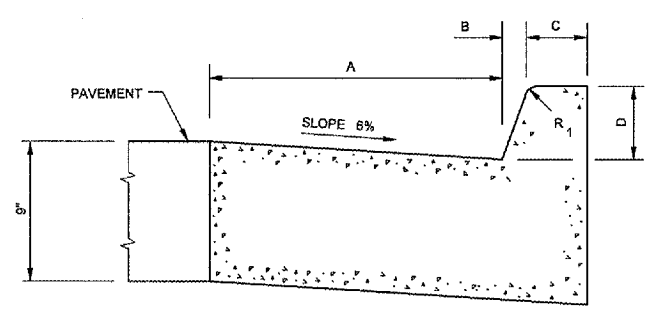
RAMP PROFILE



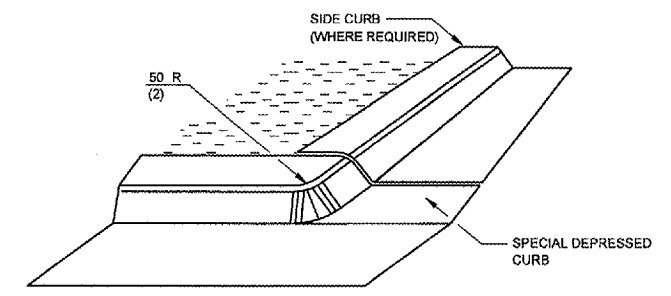
TYPE B

GENERAL NOTES

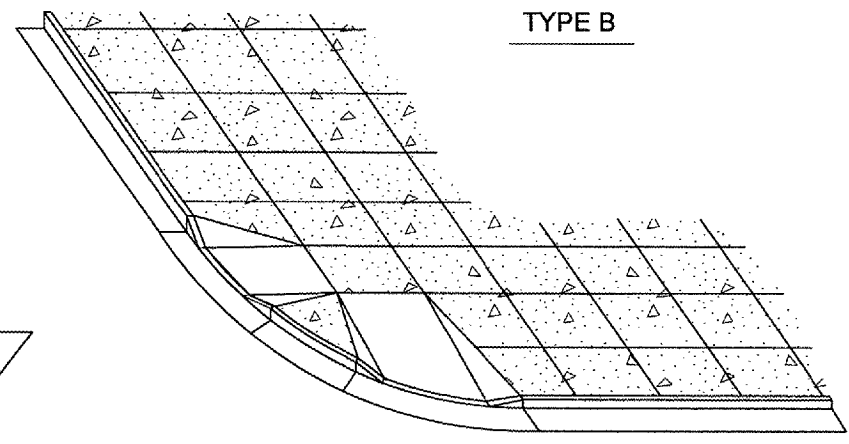
ALL DIMENSIONS ARE IN MILLIMETERS (INCHES)  
UNLESS OTHERWISE SHOWN.



BARRIER CURB



DETAIL B



TYPE B RAMPS

LEGEND

- SIDEWALK
- TEXTURED RAMPS SURFACE
- NON WALKING AREA

SIDEWALK NOTES

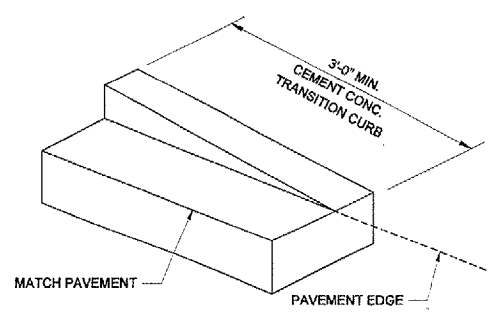
RAMP TEXTURING IS TO BE DONE WITH AN EXPANDED METAL GRATE PLACED AND REMOVED FROM WET CONCRETE TO LEAVE A DIAMOND PATTERN AS SHOWN. THE LONG AXIS OF THE DIAMOND PATTERN SHALL BE PERPENDICULAR TO THE CURB. GROOVES SHALL BE 3 MM ( 1/8 ") DEEP AND 6 MM ( 1/4 ") WIDE.

THE MAXIMUM SLOPE OF THE SIDE FLARE FOR TYPE B RAMPS SHALL BE 1:10; HOWEVER, IF THE WIDTH OF THE LANDING AREA BETWEEN THE TOP OF THE RAMP AND AN OBSTRUCTION IS LESS THAN 1.2 M (4'-0") THEN THE MAXIMUM SLOPE SHALL BE 1:12.

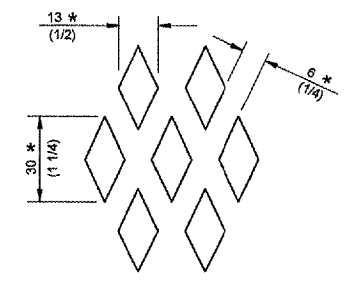
ALL SLOPE RATIOS ARE EXPRESSED AS UNITS OF VERTICAL DISPLACEMENT TO UNITS OF HORIZONTAL DISPLACEMENT (V:H).

ALL DIMENSIONS ARE IN MILLIMETERS (INCHES) UNLESS OTHERWISE SHOWN.

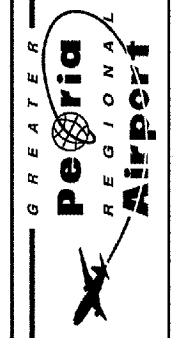
TABLE OF DIMENSIONS BARRIER CURB					
TYPE	A	B	C	D	R <sub>1</sub>
B-15.30 (8-6.12)	300 (12)	25 (1)	150 (6)	150 (6)	25 (1)



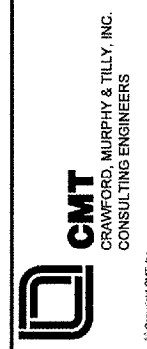
CURB END DETAIL



RAMP TEXTURE DETAIL  
(\* NOMINAL DIMENSIONS)



CONSTRUCT, LIGHT & MARK  
WEST LONG TERM PARKING LOT



IL PROJECT NUMBER  
PIA-3385

FILE:
DESIGN BY: BWG
DRAWN BY: JSP
CHECKED BY: BJS
APPROVED BY: CET
DATE: JUNE 17, 2005
JOB No: 05061-03-00

SIDEWALK AND CURB  
DETAILS  
SHEET 1 OF 2

05/26/2005 k:\peoria\0506103\draw\sheet\20\_sidewalk&curbdetails.dgn