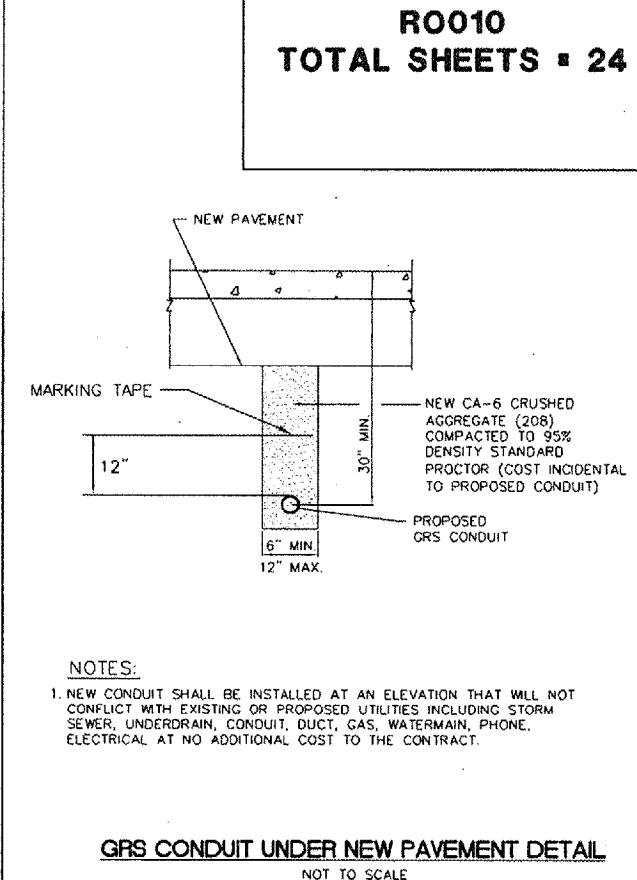
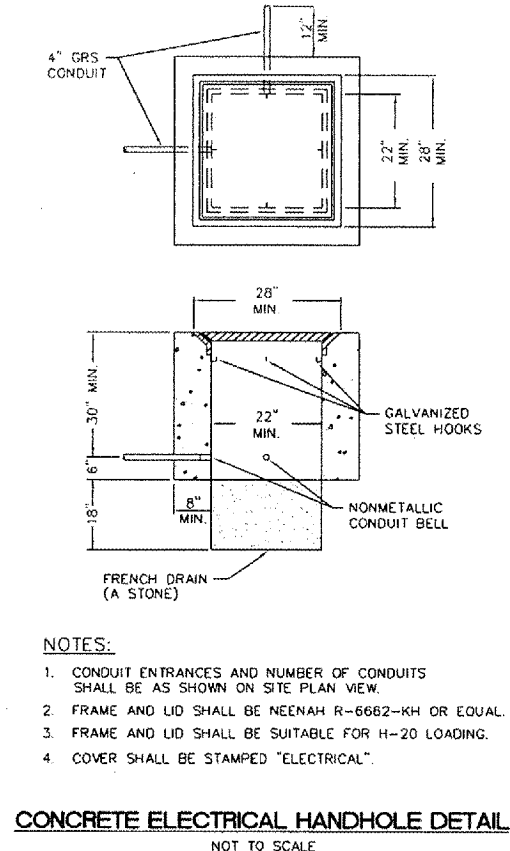
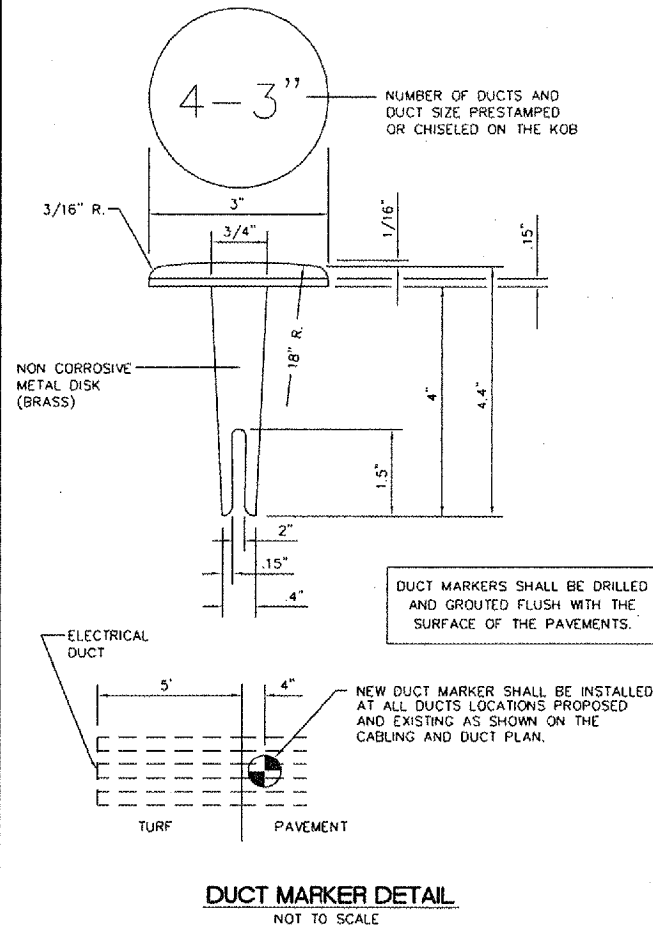
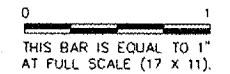


INTENTIONALLY BLANK

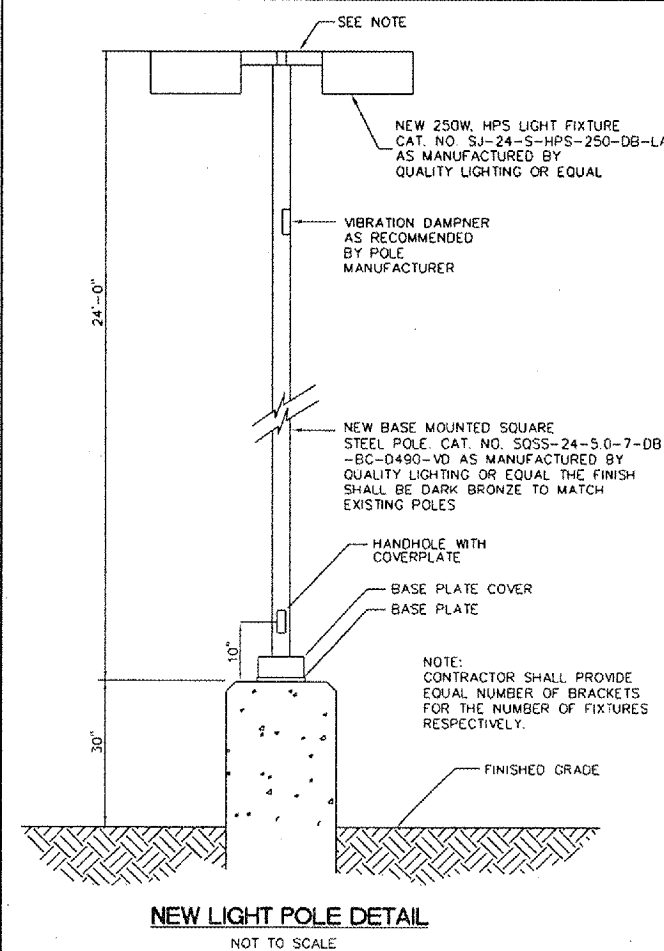
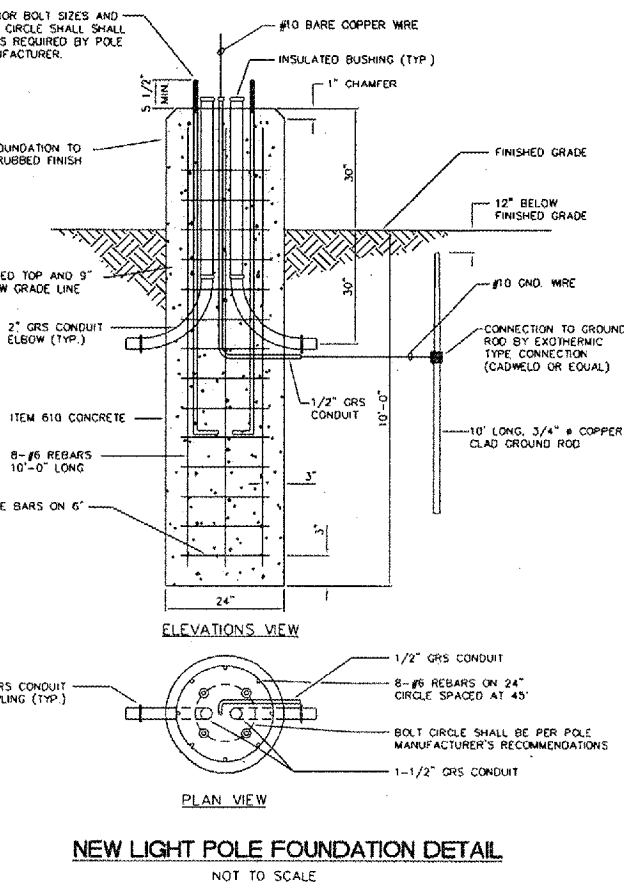
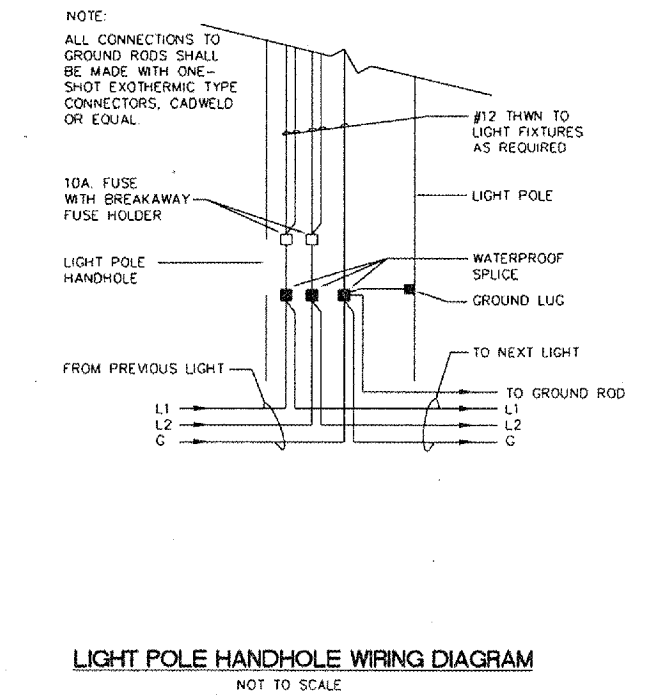


REVISIONS		
NUMBER	BY	DATE



**GREATER ROCKFORD AIRPORT AUTHORITY
ROCKFORD, ILLINOIS
ILLINOIS PROJECT: RFD-2820
NORTH AND WEST AUTO PARKING
ELECTRICAL DETAILS - 1**

INTENTIONALLY BLANK



CMT
CRAWFORD, MURPHY & TILLY, INC.
CONSULTING ENGINEERS

**Northwest
ChicagoLand
International
Airport**

DESIGN BY: AB
DRAWN BY: CMT
CHECKED BY: AB
APPROVED BY: JGP
DATE: 5.13.2005
JOB No: 05258-04-00

13 (ED1)

SHEET 13 OF 24 SHEETS