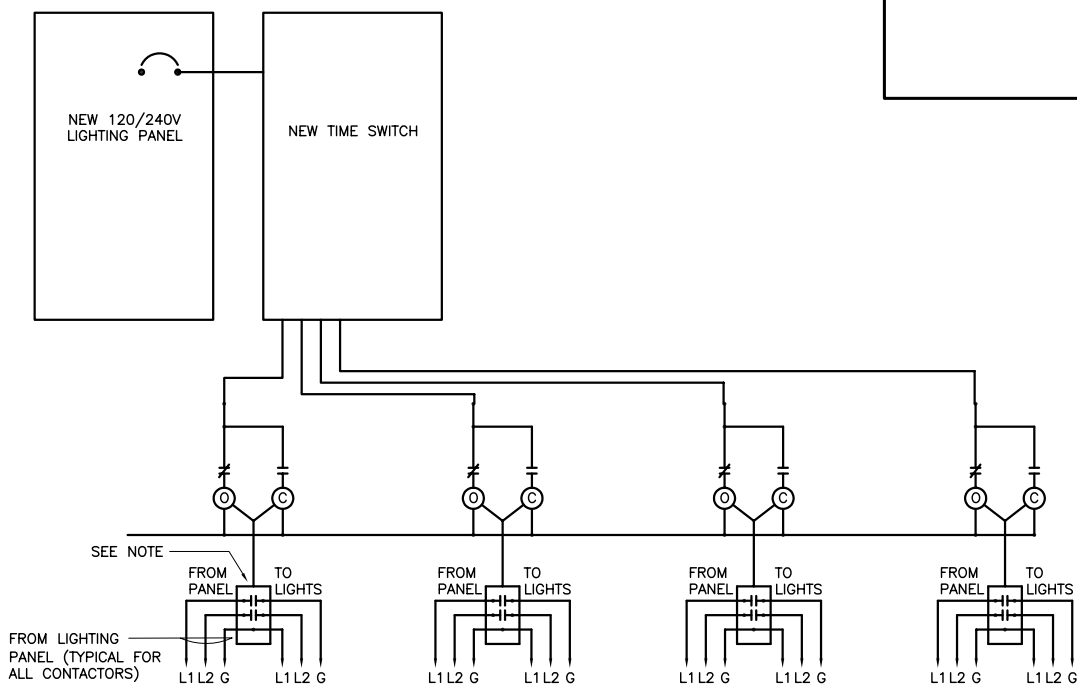
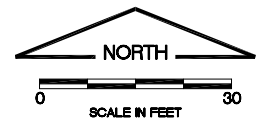


### NEW LIGHT POLE SCHEDULE

POLE #	NO. OF FIXTURES	CURCUIT # • 240 V	STATION + OFFSET
P-1	3	1 + NL.	13+17, 292.85' LT.
P-2	3	1 + NL.	13+17, 172.85' LT.
P-3	3	1 + NL.	13+17, 52.85' LT.
P-4	3	1 + NL.	13+17, 57.15' RT.
P-5	3	1 + NL.	13+17, 177.15' RT.
P-6	3	1 + NL.	13+17, 297.15' RT.
P-7	3	2 + NL.	11+94.45, 292.85' LT.
P-8	4	2 + NL.	11+94.45, 172.85' LT.
P-9	4	2 + NL.	11+94.45, 52.85' LT.
P-10	4	2 + NL.	11+94.45, 57.15' RT.
P-11	4	2 + NL.	11+94.45, 177.155' RT.
P-12	4	2 + NL.	11+94.45, 297.15' RT.
P-13	1	NL.	10+70.19, 22.5' LT.
P-14	1	NL.	10+70.19, 22.5' RT.

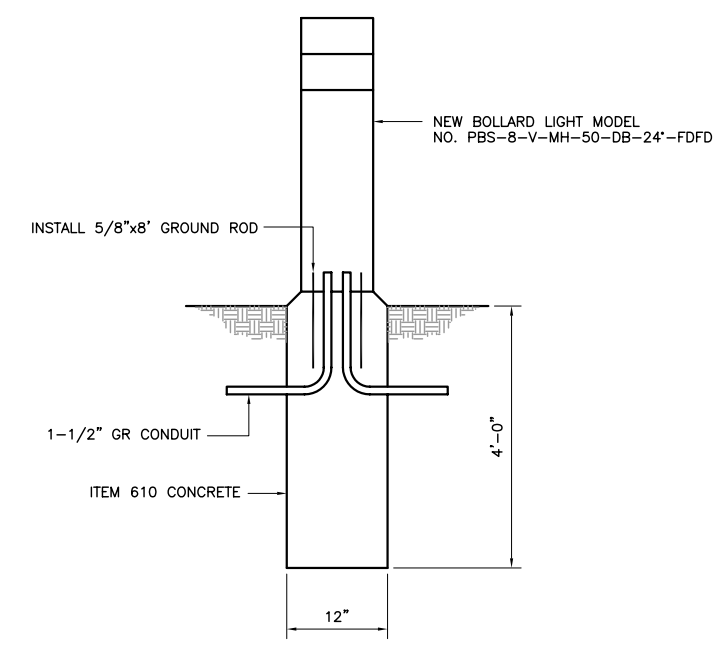
ROO10  
TOTAL SHEETS = 24



**LIGHTING CONTACTORS WIRING SCHEMATIC**

NOT TO SCALE

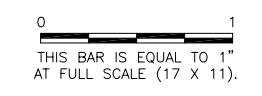
- NOTES:
- NEW 2-POLE 30 AMP LIGHTING CONTACTOR (TYPICAL OF 4).





**BOLLARD DETAIL**

NOT TO SCALE

REVISIONS		
NUMBER	BY	DATE



GREATER ROCKFORD AIRPORT AUTHORITY  
 ROCKFORD, ILLINOIS  
 ILLINOIS PROJECT: RFD-2820  
 NORTH AND WEST AUTO PARKING  
 ELECTRICAL DETAILS 2

DESIGN BY:	AB
DRAWN BY:	CMT
CHECKED BY:	AB
APPROVED BY:	JGP
DATE:	5.13.2005
JOB No:	05258-04-00

14(ED2)

SHEET 14 OF 24 SHEETS