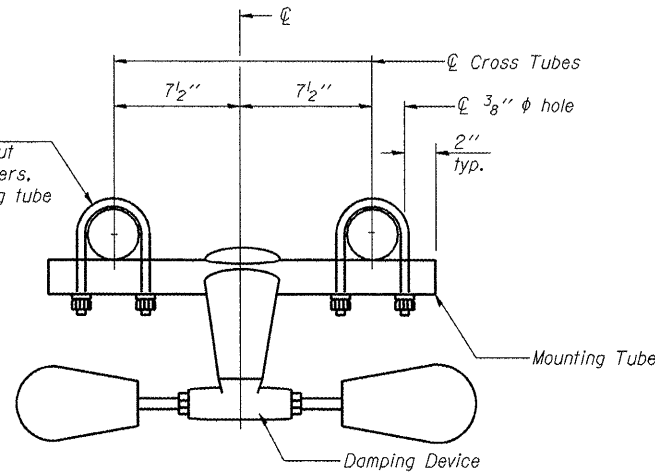
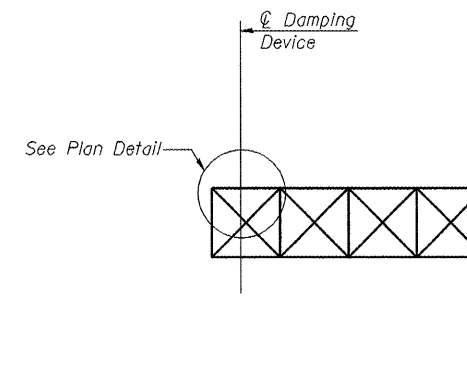


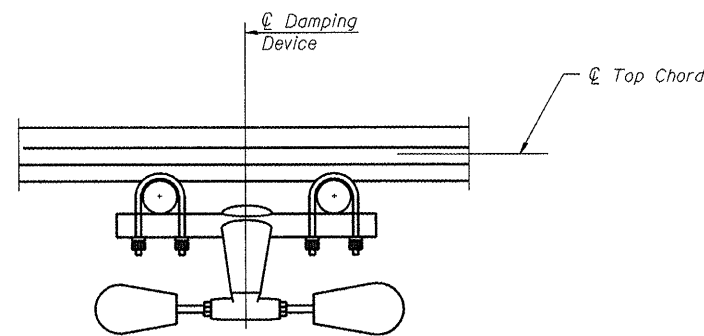
PLAN DETAIL



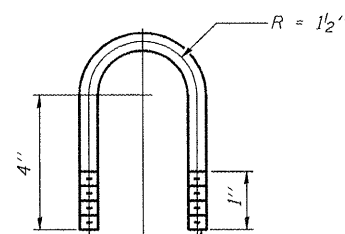
TRUSS DAMPING DEVICE CONNECTION DETAIL



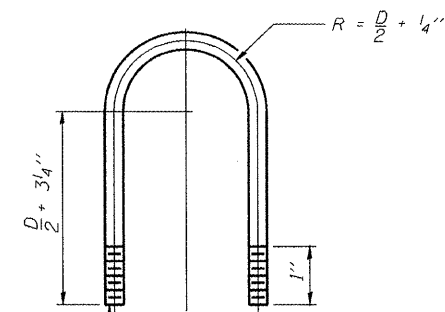
ELEVATION
Aluminum Cantilever Sign Structure



SECTION A-A



DAMPING DEVICE MOUNTING TUBE U-BOLT DETAIL
(Typical)



TOP CHORD TO CROSS TUBE U-BOLT DETAIL
(Typical)

GENERAL NOTES

- Damper:** One damper per truss. (31 lbs. Stockbridge-Type Aluminum-29" minimum between ends of weights)
- Materials:** Aluminum tubes shall be ASTM B221 alloy 6061 temper T6

OSC-A-D

7-1-10

FILE NAME =	USER NAME = petelyj	DESIGNED - YOGESH PATEL	REVISED -
ca:\pw_work\pindot\petelyj\d0257844\0346	77-Sign Truss-sht-details.DGN	DRAWN - YOGESH PATEL	REVISED -
	PLOT SCALE = 100.0055' / IN.	CHECKED -	REVISED -
	PLOT DATE = Mar 14, 2011 - 01:55:06 PM	DATE -	REVISED -

**STATE OF ILLINOIS
DEPARTMENT OF TRANSPORTATION**

**CANTILEVER SIGN STRUCTURE
DAMPING DEVICE**

SCALE: SHEET NO. 1 OF 1 SHEETS STA. TO STA.

F.A.I. RTE.	SECTION	COUNTY	TOTAL SHEETS	SHEET NO.
I-80	D-3 OVD SIGN STR REPL 12-04	BUREAU	17	9
ILLINOIS			CONTRACT NO. 46177	