

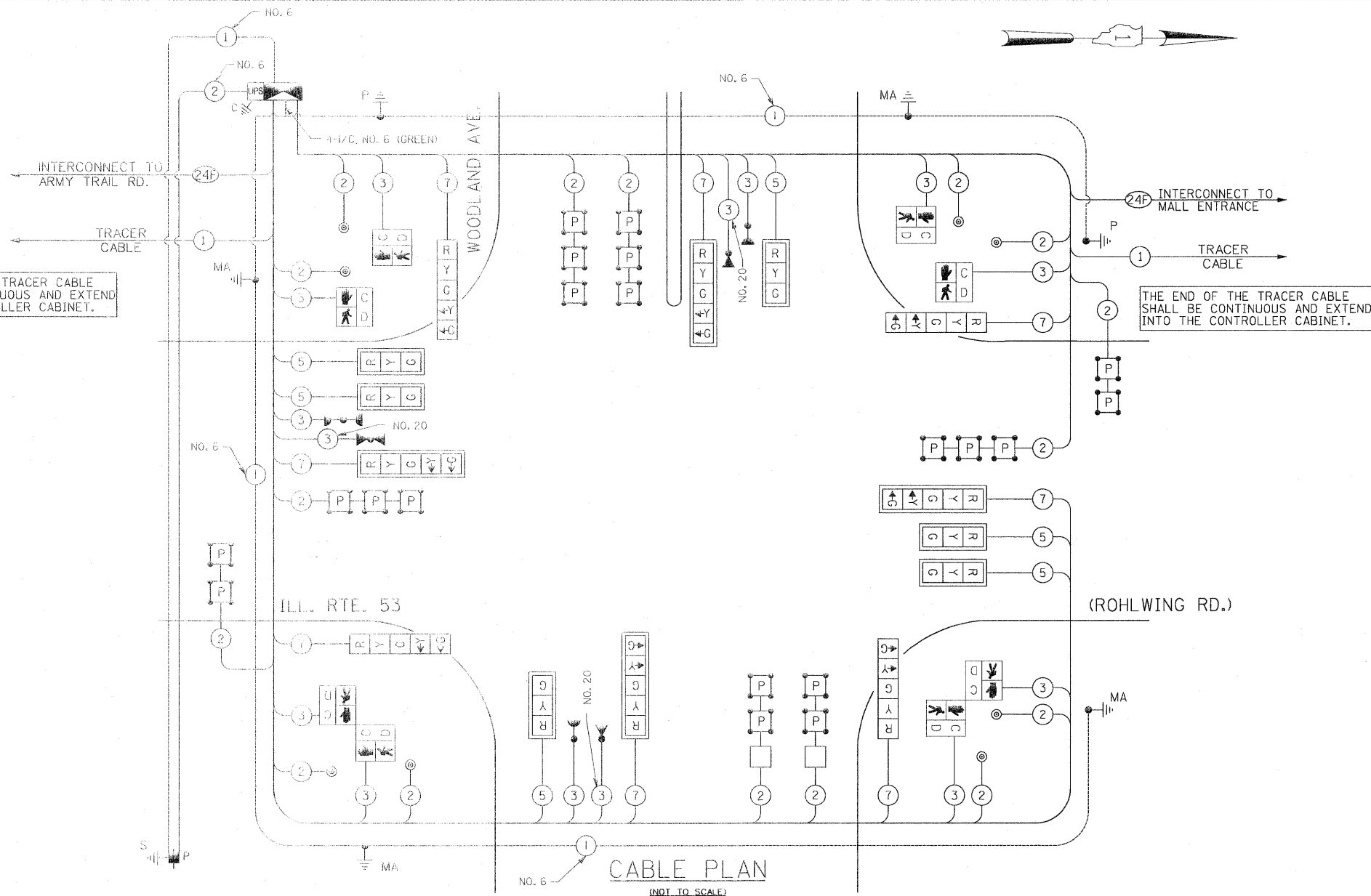
SCHEDULE OF QUANTITIES

QUANTITY	UNIT	ITEM
33	SO FT	SIGN PANEL - TYPE 1
459	FOOT	CONDUIT IN TRENCH, 2" DIA., GALVANIZED STEEL
13	FOOT	CONDUIT IN TRENCH, 2 1/2" DIA., GALVANIZED STEEL
95	FOOT	CONDUIT IN TRENCH, 3" DIA., GALVANIZED STEEL
25	FOOT	CONDUIT IN TRENCH, 4" DIA., GALVANIZED STEEL
188	FOOT	CONDUIT PUSHED, 2" DIA., GALVANIZED STEEL
375	FOOT	CONDUIT PUSHED, 4" DIA., GALVANIZED STEEL
5	EACH	HANDHOLE
2	EACH	HEAVY-DUTY HANDHOLE
2	EACH	DOUBLE HANDHOLE
581	FOOT	TRENCH AND BACKFILL FOR ELECTRICAL WORK
1	EACH	FULL-ACTUATED CONTROLLER AND TYPE IV CABINET, SPECIAL
1	EACH	TRANSCEIVER-FIBER OPTIC
1232	FOOT	ELECTRIC CABLE IN CONDUIT, SIGNAL NO. 14 2C
1769	FOOT	ELECTRIC CABLE IN CONDUIT, SIGNAL NO. 14 3C
1094	FOOT	ELECTRIC CABLE IN CONDUIT, SIGNAL NO. 14 5C
1460	FOOT	ELECTRIC CABLE IN CONDUIT, SIGNAL NO. 14 7C
1600	FOOT	ELECTRIC CABLE IN CONDUIT, LEAD-IN, NO. 14 1 PAIR
115	FOOT	ELECTRIC CABLE IN CONDUIT, SERVICE, NO. 6 2C
2	EACH	TRAFFIC SIGNAL POST, GALVANIZED STEEL 16 FT.
1	EACH	STEEL MAST ARM ASSEMBLY AND POLE, 28 FT.
1	EACH	STEEL MAST ARM ASSEMBLY AND POLE, 34 FT.
1	EACH	STEEL MAST ARM ASSEMBLY AND POLE, 38 FT.
1	EACH	STEEL MAST ARM ASSEMBLY AND POLE, 48 FT.
8	FOOT	CONCRETE FOUNDATION, TYPE A
4	FOOT	CONCRETE FOUNDATION, TYPE C
10	FOOT	CONCRETE FOUNDATION, TYPE E 30-INCH DIAMETER
35	FOOT	CONCRETE FOUNDATION, TYPE E 36-INCH DIAMETER
6	EACH	SIGNAL HEAD, LED, 1-FACE, 3-SECTION, MAST ARM MOUNTED
4	EACH	SIGNAL HEAD, LED, 1-FACE, 5-SECTION, BRACKET MOUNTED
4	EACH	SIGNAL HEAD, LED, 1-FACE, 5-SECTION, MAST ARM MOUNTED
4	EACH	PEDESTRIAN SIGNAL HEAD, LED, 1-FACE, BRACKET MOUNTED WITH COUNTDOWN TIMER
2	EACH	PEDESTRIAN SIGNAL HEAD, LED, 2-FACE, BRACKET MOUNTED WITH COUNTDOWN TIMER
10	EACH	TRAFFIC SIGNAL BACKPLATE, LOUVERED, ALUMINUM
8	EACH	INDUCTIVE LOOP DETECTOR
64	FOOT	DETECTOR LOOP, TYPE 1
3	EACH	LIGHT DETECTOR
1	EACH	LIGHT DETECTOR AMPLIFIER
8	EACH	PEDESTRIAN PUSH-BUTTON
667	FOOT	PERFORMED DETECTOR LOOP
1	EACH	SERVICE INSTALLATION - POLE MOUNTED
1	EACH	UNINTERRUPTIBLE POWER SUPPLY
706	FOOT	ELECTRIC CABLE IN CONDUIT, GROUNDING, NO. 6 1C
481	FOOT	ELECTRIC CABLE IN CONDUIT NO. 20 3/C, TWISTED, SHIELDED

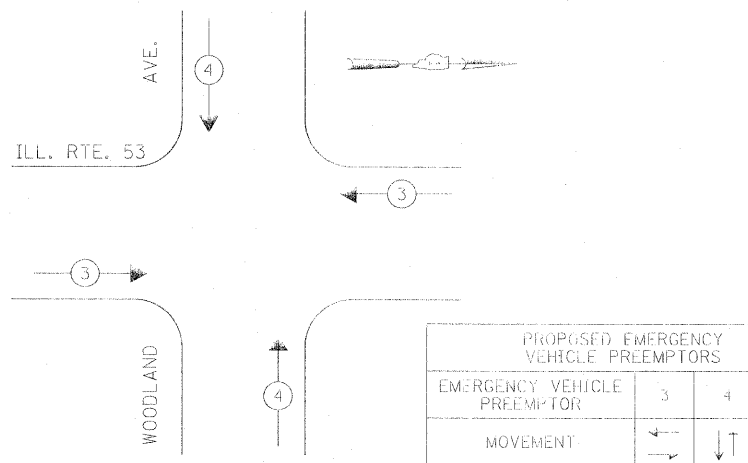
\* 100% COST TO VILLAGE OF ADDISON

THE END OF THE TRACER CABLE SHALL BE CONTINUOUS AND EXTEND INTO THE CONTROLLER CABINET.

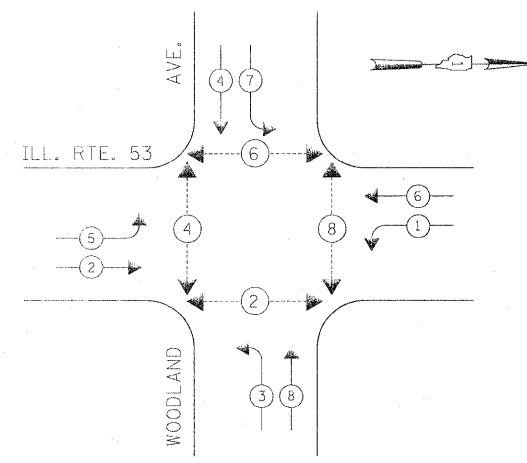
THE END OF THE TRACER CABLE SHALL BE CONTINUOUS AND EXTEND INTO THE CONTROLLER CABINET.



EMERGENCY VEHICLE PREEMPTION SEQUENCE



CONTROLLER SEQUENCE



THE TRAFFIC SIGNAL CONTROL EQUIPMENT FOR THIS PROJECT SHALL BE "ECONOLITE" TO MATCH THE EXISTING ADJACENT SYSTEM.

LEGEND

- ◉ \* — DUAL ENTRY PHASE
- ◉ \* — SINGLE ENTRY PHASE
- ◉ O.L. — OVERLAP
- ◉ \* — PEDESTRIAN PHASE
- \* — NUMBER REFERS TO ASSOCIATED PHASE

PHASE DESIGNATION DIAGRAM

I.D.O.T. TRAFFIC SIGNAL INSTALLATION ELECTRICAL SERVICE REQUIREMENTS					TOTAL WATTAGE
TYPE	NO LAMPS	WATTAGE		OPERATION	
		INCAND.	LED		
SIGNAL (RED)	14	135	17	0.50	119
(YELLOW)	14	135	25	0.25	87.5
(GREEN)	14	135	15	0.25	52.5
ARROW	16	135	12	0.10	19.2
PED. SIGNAL	8	90	25	1.00	200
CONTROLLER	1	100	100	1.00	100
ILLUM. SIGN			25	0.05	
FLASHER				0.50	
TOTAL =					578.2

ENERGY COSTS TO: VILLAGE OF ADDISON  
1 FRIENDSHIP PLAZA  
ADDISON, ILLINOIS 60101

ENERGY SUPPLY CONTACT: CURTIS TOPPS  
PHONE: (630) 691-4356  
COMPANY: COMMONWEALTH EDISON