

NOTE: SIGN DIMENSIONS ARE IN ENGLISH UNITS

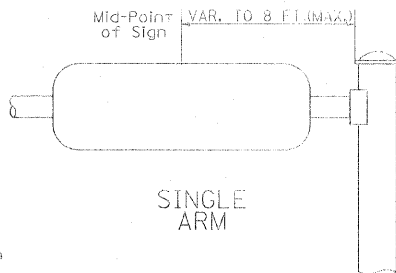
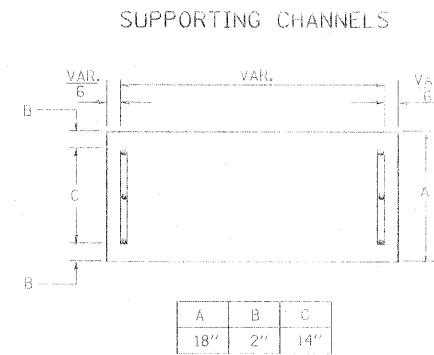
GENERAL NOTES

- WHERE MAST ARM MOUNTED STREET NAME SIGNS ARE SPECIFIED, THE MAST ARM ASSEMBLY AND POLES SHALL BE DESIGNED TO SUPPORT THE LOADINGS CALLED FOR ON STANDARDS 877001, 877002, 877006, 877011 AND 877012, AS APPLICABLE, PLUS TWO (2) SIGN PANELS 2'-6" x 8'-0" MOUNTED AS SHOWN. THE DESIGN SHALL BE IN ACCORDANCE WITH THE REQUIREMENTS OF THE CURRENT "STANDARD SPECIFICATIONS FOR STRUCTURAL SUPPORTS FOR HIGHWAY SIGNS, LUMINAIRES, AND TRAFFIC SIGNALS" AS PUBLISHED BY THE AMERICAN ASSOCIATION OF STATE HIGHWAY AND TRANSPORTATION OFFICIALS FOR 80 M.P.H. WIND VELOCITY.
- ALL SIGNS SHALL HAVE A WHITE REFLECTORIZED LEGEND AND BORDER ON A GREEN REFLECTORIZED BACKGROUND, TYPE A SHEETING.
- THE SIGN LENGTH SHOULD BE INCREASED IN 6-INCH INCREMENTS, BUT THE OVERALL LENGTH SHOULD NOT EXCEED 8'-0".
- ALL BORDERS SHALL BE 3/4" WIDE AND CORNER RADIUS SHALL BE 2-1/4".
- SIGNFIX ALUMINUM CHANNEL FRAMING SYSTEM SHALL BE USED FOR ALL SIGNS ATTACHED TO SIGNAL POLES AND POSTS. LOCAL SUPPLIERS OF THE SIGNFIX ALUMINUM CHANNEL FRAMING SYSTEM ARE:

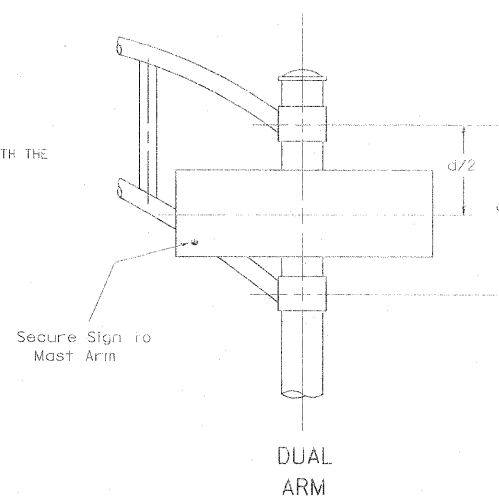
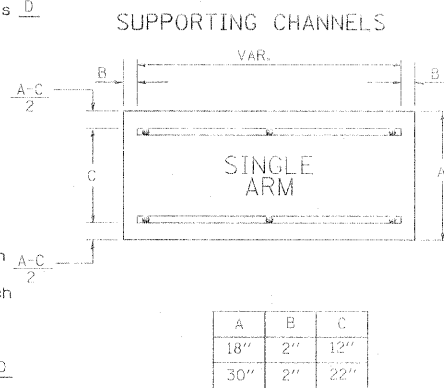
- * J.O. HERBERT CO. MIDLOTHIAN, VA.
- * WESTERN REMAC INC. WOODRIDGE, IL.

PARTS LISTING:
SIGN CHANNEL PART #HPN053 (MED. CHANNEL)
SIGN SCREWS 1/4" x 14 x 1" H.W.H. #3
SELF TAPPING WITH NEOPRENE WASHER
BRACKETS PART #HPN034 (UNIVERSAL)
CHANNEL CLAMPS WITH STAINLESS STEEL STRAPPING
OTHER BRANDS OF MOUNTING HARDWARE ARE ACCEPTABLE, BASED UPON THE DEPARTMENT'S APPROVAL AND COMPATIBILITY WITH THE CHANNEL/BACKET OF THE ABOVE PRODUCT.

1.5 Sq. M. each
13.75 Sq. Ft. each
2 Required
Design Series D



1.5 Sq. M. each
12.5 Sq. Ft. each
2 Required
Design Series D



SIGNFIX ALUMINUM CHANNEL FRAMING SYSTEM
Shall be used. See Note #5.

Upper Case To Lower Case
Spacing Chart 8-6 Inch Series "C & D"

EXAMPLE, 2³ DENOTES 3/8

SERIES	SECOND LETTER																			
	a c c e		g o o q		b h i k l		m n p r u		f w		j		s t		v y		x		z	
	C	D	C	D	C	D	C	D	C	D	C	D	C	D	C	D	C	D	C	D
A W X	12	14	14	15	12	14	06	10	11	14	06	10	11	12	12	14	12	14	16	17
B	14	15	20	21	14	15	11	12	14	15	12	14	12	14	14	15	14	15	14	15
C E C	14	15	20	21	12	14	06	10	12	14	12	14	14	15	14	15	14	15	14	15
D O O R	14	15	20	21	14	15	06	10	12	14	12	14	14	15	14	15	14	15	14	15
F	05	06	14	15	06	10	05	06	06	10	06	10	06	10	11	12	11	12	11	12
H I M N	20	21	22	24	20	21	14	15	16	17	16	17	20	21	20	21	20	21	20	21
J U	20	21	20	21	16	17	14	15	16	17	16	17	16	17	20	21	16	17	20	21
K L	11	12	16	17	11	12	05	06	11	12	11	12	11	12	12	14	12	14	12	14
P	12	14	14	15	12	14	05	06	11	12	11	12	12	14	12	14	12	14	12	14
S	12	14	16	17	12	14	06	10	12	14	12	14	12	14	12	14	12	14	12	14
T	11	12	16	17	06	10	06	10	11	12	11	12	11	12	12	14	12	14	12	14
V	06	10	14	15	11	12	06	10	12	14	12	14	12	14	12	14	12	14	12	14
Y	05	06	14	15	06	10	05	06	05	07	05	06	06	10	11	12	11	12	11	12
Z	16	17	22	24	16	17	12	14	16	17	16	17	16	17	20	21	16	17	20	21

Lower Case To Lower Case
Spacing Chart 6 Inch Series "C & D"

SERIES	SECOND LETTER																	
	a d n g i j		l m n q u		b f k o p s		c e		r		t z		v y		w		x	
	C	D	C	D	C	D	C	D	C	D	C	D	C	D	C	D	C	D
a d n g i j	16	17	22	24	16	17	12	14	14	15	14	15	16	17	16	17	16	17
l m n q u	12	14	16	17	11	12	05	06	11	12	11	12	12	14	12	14	12	14
b f k o p s	12	14	16	17	12	14	06	10	12	14	12	14	12	14	12	14	12	14
c e	12	14	16	17	12	14	06	10	12	14	12	14	12	14	12	14	12	14
r	06	10	12	14	06	10	03	03	05	06	05	06	06	10	06	10	06	10
t z	12	14	16	17	12	14	06	10	11	12	11	12	12	14	12	14	12	14
v y	11	12	14	15	11	12	05	06	06	10	06	10	11	12	11	12	11	12
w	11	12	14	15	11	12	05	06	11	12	11	12	11	12	12	14	12	14
x	12	14	16	17	11	12	05	06	11	12	11	12	11	12	12	14	12	14

Number To Number
Spacing Chart 8 Inch Series "C & D"

SERIES	SECOND NUMBER																			
	0		1		2		3		4		5		6		7		8		9	
	C	D	C	D	C	D	C	D	C	D	C	D	C	D	C	D	C	D	C	D
0 9	16	17	16	17	14	15	12	14	14	15	14	15	16	17	12	14	16	17	16	17
1	20	21	20	21	20	21	16	17	14	15	20	21	20	21	14	15	20	21	20	21
2 3 4	14	15	14	15	14	15	12	14	14	15	14	15	11	12	16	17	14	15	14	15
5	14	15	14	15	14	15	11	12	11	12	14	15	14	15	11	12	14	15	14	15
6	16	17	14	15	14	15	12	15	14	14	15	14	15	11	12	14	15	14	15	14
7	12	14	12	14	14	15	12	15	05	06	12	14	14	15	11	12	14	15	12	14
8	16	17	16	17	14	15	12	15	12	14	14	15	16	17	12	14	16	17	14	15

UPPER AND LOWER CASE LETTER WIDTHS

LETTERS	6 INCH UPPER CASE LETTERS		8 INCH UPPER CASE LETTERS		LETTERS	6 INCH LOWER CASE LETTERS	
	SERIES		SERIES			SERIES	
	C	D	C	D		C	D
A	36	50	50	65	a	35	42
B	32	40	43	53	b	35	42
C	32	40	43	53	c	35	41
D	32	40	43	53	d	35	42
E	30	35	40	47	e	35	42
F	30	35	40	47	f	23	26
G	32	40	43	53	g	35	42
H	32	40	43	53	h	35	42
I	07	07	11	12	i	11	11
J	30	36	40	50	j	20	22
K	32	41	43	54	k	35	42
L	30	35	40	47	l	11	11
M	37	45	51	61	m	60	70
N	32	40	43	53	n	35	42
O	34	42	45	55	o	36	43
P	32	40	43	53	p	35	42
Q	34	42	45	55	q	35	42
R	32	40	43	53	r	26	32
S	32	40	43	53	s	36	42
T	30	35	40	47	t	27	32
U	32	40	43	53	u	35	42
V	35	44	47	60	v	42	47
W	44	52	60	70	w	55	64
X	34	40	45	53	x	44	51
Y	36	50	50	66	y	46	53
Z	32	40	43	53	z	36	43

NUMBER	6 INCH SERIES		8 INCH SERIES	
	C	D	C	D
1	12	14	15	20
2	32	40	43	53
3	32	40	43	53
4	35	43	47	57
5	32	40	43	53
6	32	40	43	53
7	32	40	43	53
8	32	40	43	53
9	32	40	43	53
0	34	42	45	55

STATE OF ILLINOIS
DEPARTMENT OF TRANSPORTATION

MAST ARM MOUNTED
STREET NAME SIGNS
(SHEET 3 OF 5)

Rev. 6-8-11

FILE NAME =	USER NAME = #USER#	DESIGNED - PKG	REVISED -	SCALE:	SHEET NO. OF SHEETS STA.	TO STA.	F.A.P. RTE. 2578	SECTION 532B	COUNTY DuPage	TOTAL SHEETS 781	SHEET NO. 549
#FILES#	PLOT SCALE = #SCALE#	CHECKED - PKG, EA	REVISED -				FED. ROAD DIST. NO. [ILLINOIS]	FED. AID PROJECT			
	PLOT DATE = #DATE#	DATE - 5/18/2011	REVISED -				CONTRACT NO. 60477				