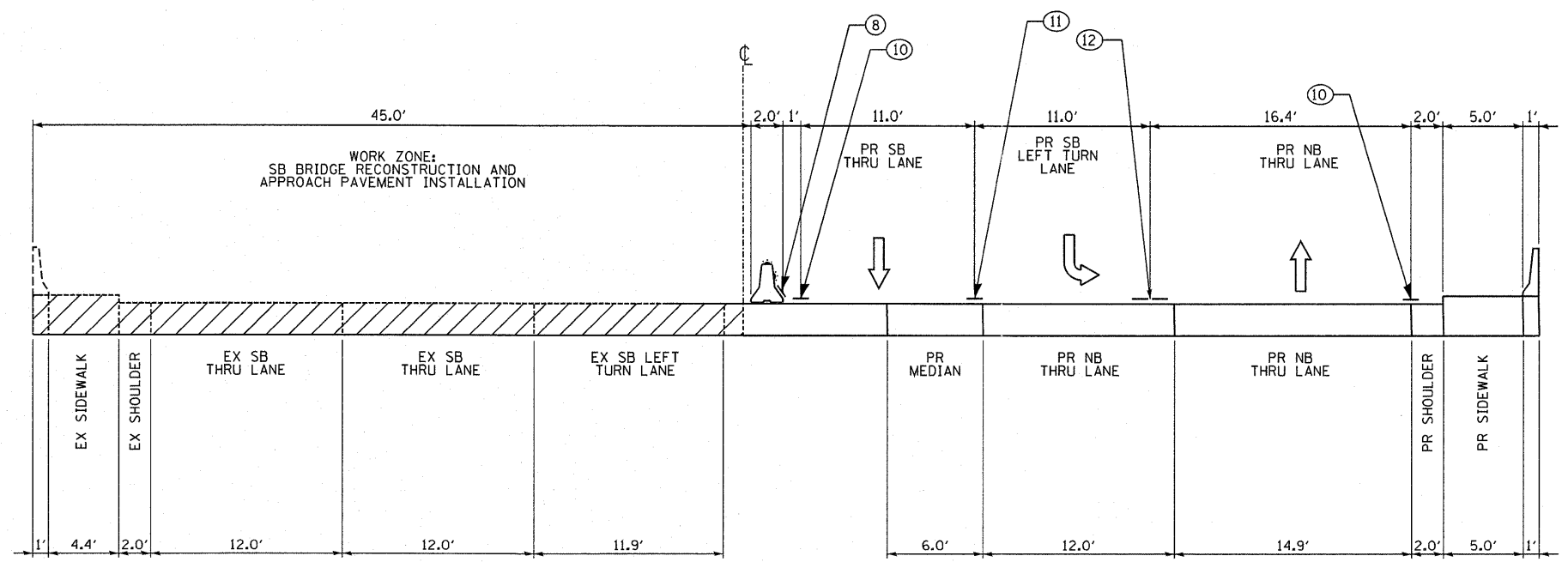


K-K

STAGE 2: CENTRAL AVENUE; STA. 17+00



L-L

STAGE 2: CENTRAL AVENUE; STA. 23+00

LEGEND

- ↑ TRAFFIC MOVEMENT
- PROPOSED TEMPORARY CONCRETE BARRIER (WITH MONO-DIRECTIONAL PRISMATIC REFLECTORS ON TOP AND SIDE FACING TRAFFIC)
- WORK ZONE
- DRUM WITH MONO-DIRECTIONAL STEADY BURNING LIGHT

NOTES:

1. WET REFLECTIVE TEMPORARY TAPE TYPE III, 4" LINE (WHITE)
2. WET REFLECTIVE TEMPORARY TAPE TYPE III, 5" SKIP-DASH (WHITE) 10' LINE WITH 30' SPACE
3. WET REFLECTIVE TEMPORARY TAPE TYPE III, 4" LINE (YELLOW)
4. WET REFLECTIVE TEMPORARY PAVEMENT MARKING - LINE 6" (WHITE)
5. WET REFLECTIVE TEMPORARY PAVEMENT MARKING - LINE 6" (YELLOW)
6. WET REFLECTIVE TEMPORARY TAPE TYPE III, 4" SKIP-DASH (WHITE) 10' LINE WITH 30' SPACE
7. WET REFLECTIVE TEMPORARY TAPE TYPE III, 4" DOUBLE YELLOW CENTERLINE AT 11" C-C
8. TEMPORARY PAVEMENT MARKING - LINE 6"
9. EXISTING PAVEMENT MARKING LINE 4" (WHITE)
10. POLYUREA PAVEMENT MARKING TYPE I - LINE 4" (WHITE)
11. POLYUREA PAVEMENT MARKING TYPE I - LINE 6" (WHITE)
12. POLYUREA PAVEMENT MARKING TYPE I - 4" DOUBLE YELLOW CENTERLINE AT 11" C-C

TYLIN INTERNATIONAL

USER NAME = #USER#	DESIGNED - RLB	REVISED - 05/13/2011 RLD
PLOT SCALE = #SCALE#	DRAWN - RLB	REVISED -
PLOT DATE = 5/13/2011	CHECKED - AZ	REVISED -
	DATE - 03/25/2011	REVISED -

**STATE OF ILLINOIS
DEPARTMENT OF TRANSPORTATION**

**CENTRAL AVENUE OVER I-55
MAINTENANCE OF TRAFFIC - PROPOSED TYPICAL SECTIONS STAGE 2**

F.A.I. RTE.	SECTION	COUNTY	TOTAL SHEETS	SHEET NO.
I-55	0711.2R & 1011.LBR	COOK	741	32
FED. ROAD DIST. NO.			ILLINOIS FED. AID PROJECT	