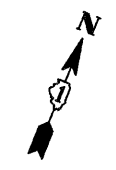
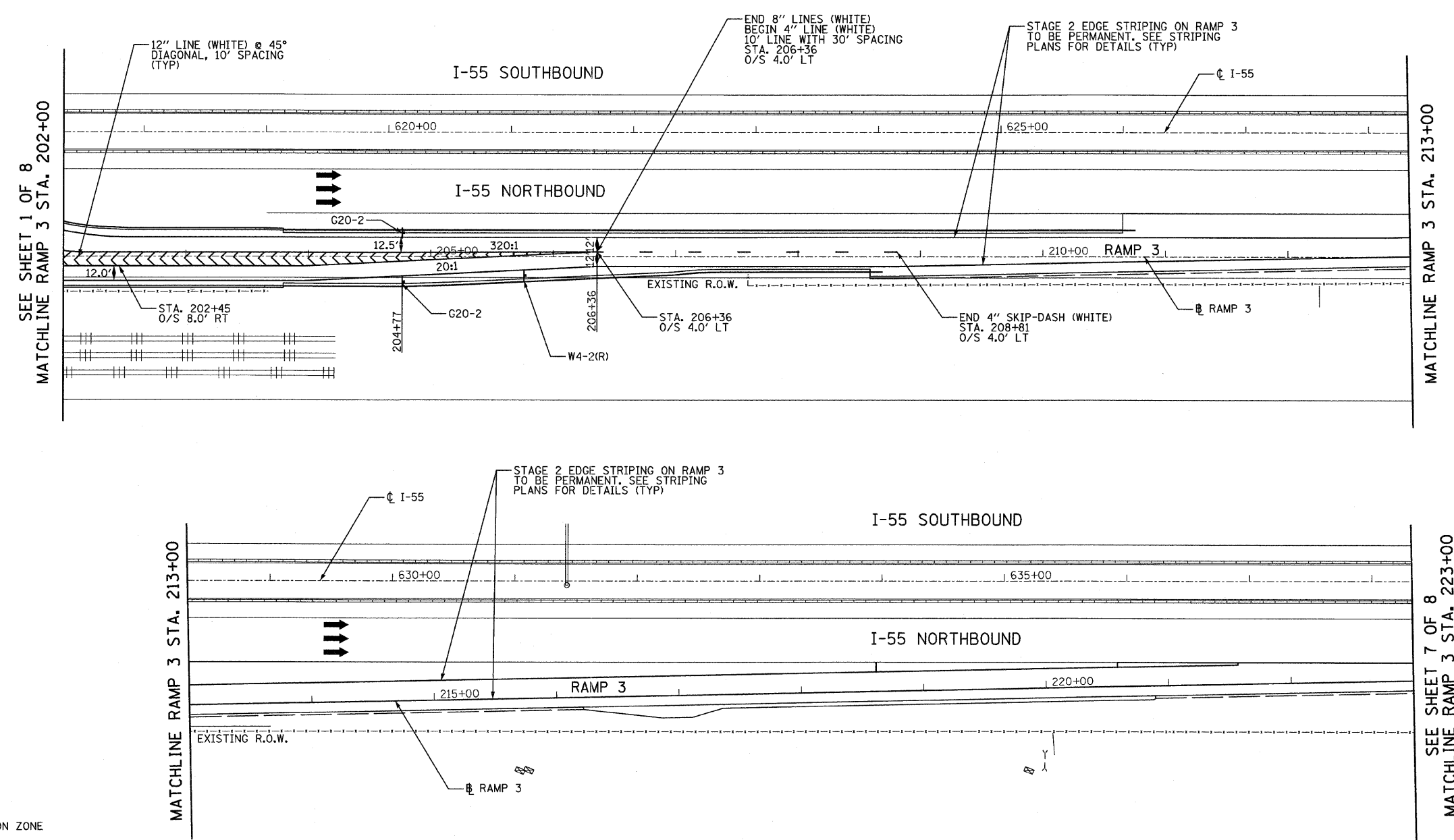


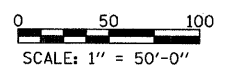
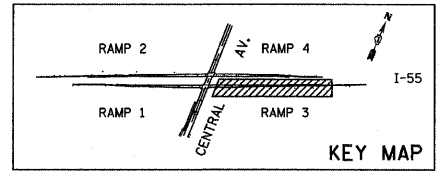
P:\01345\ROAD\55mot231.dgn 4/28/2011 11:58:58 PM



**LEGEND**

- CONSTRUCTION ZONE
- TRAFFIC MOVEMENT
- SIGN
- ARROW BOARD
- TYPE II BARRICADES OR DRUMS WITH MONO-DIRECTIONAL STEADY BURNING LIGHT
- TYPE III BARRICADE WITH MONO-DIRECTIONAL STEADY BURNING LIGHTS
- BARRICADE OR DRUM

**NOTES:**  
 1. SEE THE MAINTENANCE OF TRAFFIC PLANS FOR THE FOLLOWING STAGES FOR STAGING INFORMATION ON THE I-55 MAINLINE: PRE-STAGE 2, STAGE 3, STAGE 3A, STAGE 4, AND STAGE 4A.



<b>TYLIN INTERNATIONAL</b>	USER NAME = #USER#	DESIGNED - RLB	REVISED -	<b>STATE OF ILLINOIS DEPARTMENT OF TRANSPORTATION</b>	<b>CENTRAL AVENUE OVER I-55 MAINTENANCE OF TRAFFIC - STAGE 2 - I-55 RAMP 3</b>	F.A.I. RTE.	SECTION	COUNTY	TOTAL SHEETS	SHEET NO.
	PLOT SCALE = #SCALE#	DRAWN - RLB	REVISED -			I-55	0711.2R & 1011.1BR	COOK	741	54
	PLOT DATE = 4/28/2011	CHECKED - JDF	REVISED -			CONTRACT NO. 60999				
DATE - 03/25/2011				SCALE: 1:50		SHEET NO. 6 OF 8 SHEETS		STA. 202+00 TO STA. 223+00		FED. ROAD DIST. NO. ILLINOIS FED. AID PROJECT