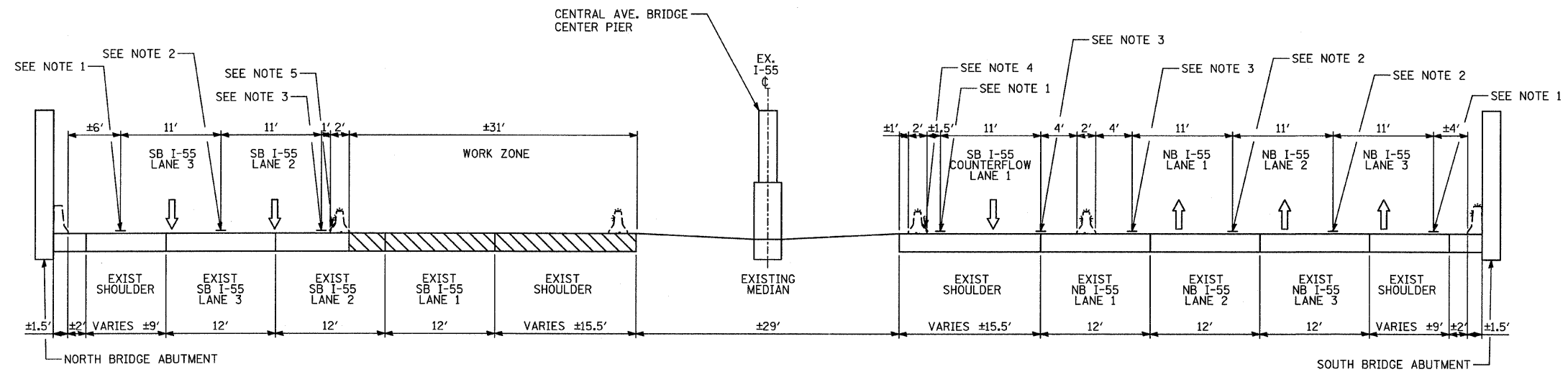


C-C: I-55 STAGE 2 AND 4; AT CENTRAL AVE. BRIDGE I-55 STA. 615+75



D-D: I-55 STAGE 2A AND 4A; AT CENTRAL AVE. BRIDGE I-55 STA. 615+75

LEGEND

- TRAFFIC MOVEMENT
- PROPOSED TEMPORARY CONCRETE BARRIER (WITH MONO-DIRECTIONAL PRISMATIC REFLECTORS ON TOP AND SIDE FACING TRAFFIC)
- EXISTING STATE OWNED TEMPORARY CONCRETE BARRIER (WITH MONO-DIRECTIONAL PRISMATIC REFLECTORS ON TOP AND SIDE FACING TRAFFIC - REPLACE MISSING REFLECTORS AS REQUIRED)
- EXISTING SINGLE-FACE CONCRETE BARRIER, 32" (WITH REFLECTORS ON TOP AND SIDE FACING TRAFFIC - REPLACE MISSING REFLECTORS AS REQUIRED)
- WORK ZONE
- DRUM WITH MONO-DIRECTIONAL STEADY BURNING LIGHT

NOTES:

1. WET REFLECTIVE TEMPORARY TAPE TYPE III, 4" LINE (WHITE)
2. WET REFLECTIVE TEMPORARY TAPE TYPE III, 5" SKIP-DASH (WHITE) 10' LINE WITH 30' SPACE
3. WET REFLECTIVE TEMPORARY TAPE TYPE III, 4" LINE (YELLOW)
4. TEMPORARY PAVEMENT MARKING-LINE 6" (WHITE)
5. TEMPORARY PAVEMENT MARKING-LINE 6" (YELLOW)

TYLIN INTERNATIONAL	USER NAME = #USER#	DESIGNED - JDF	REVISED -	STATE OF ILLINOIS DEPARTMENT OF TRANSPORTATION	CENTRAL AVENUE OVER I-55 MAINTENANCE OF TRAFFIC - I-55 TYPICAL SECTIONS				F.A.I. RTE.	SECTION	COUNTY	TOTAL SHEETS	SHEET NO.
	PLOT SCALE = #SCALE#	DRAWN - JDF	REVISED -		I-55	0711.2R & 1011.1BR	COOK	741	71				
	PLOT DATE = 4/28/2011	CHECKED - JPM	REVISED -		SCALE: N.T.S. SHEET NO. 2 OF 3 SHEETS STA. TO STA.				CONTRACT NO. 60999				
		DATE - 03/25/2011	REVISED -						FED. ROAD DIST. NO. ILLINOIS FED. AID PROJECT				