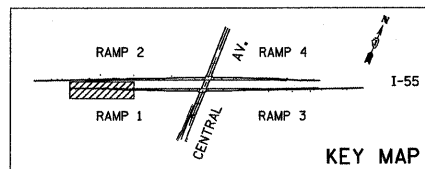
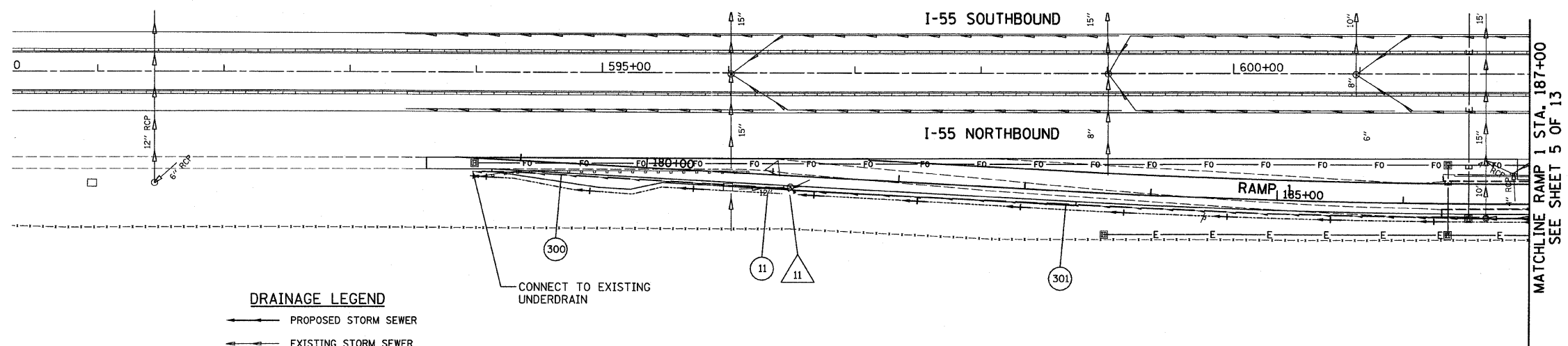
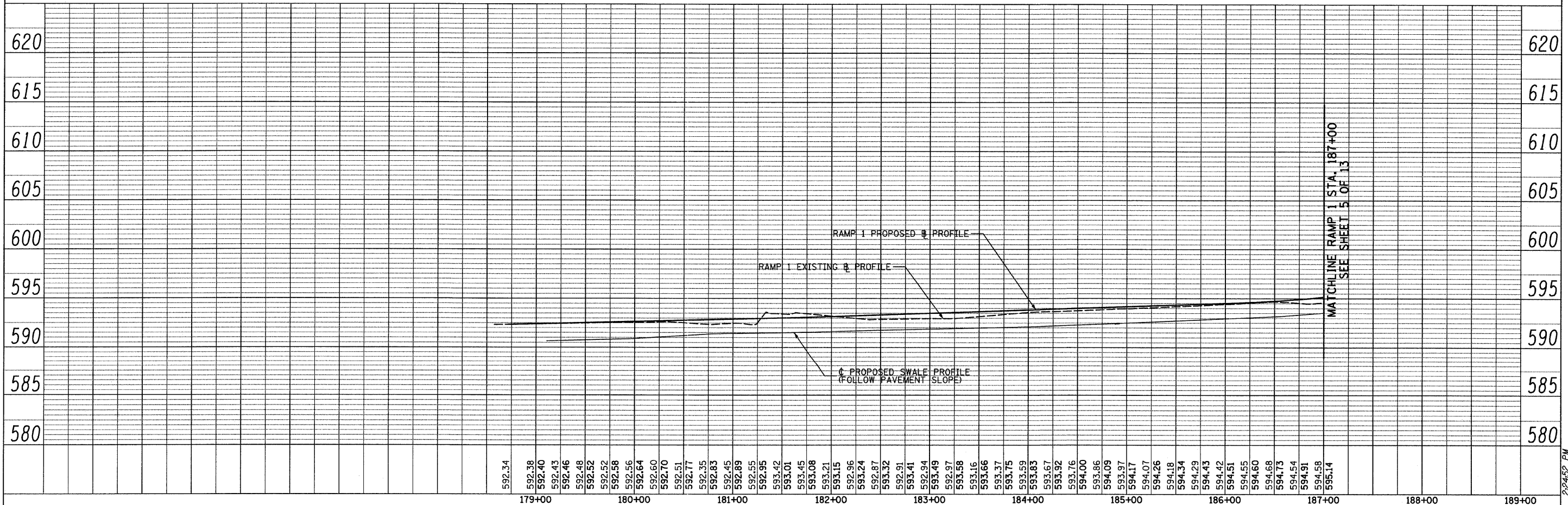


| | | |
|------|--------------------|------|
| PLAN | SURVEYED | DATE |
| | LISTED | |
| | ALIGNMENT CHECKED | |
| | RT. OF WAY CHECKED | |
| | NO. _____ | |
| | NO. _____ | |
| | NO. _____ | |

| | | |
|---------|-----------------------------|------|
| PROFILE | SURVEYED | DATE |
| | LISTED | |
| | GRADES CHECKED | |
| | STRUCTURE NOTATIONS CHECKED | |
| | NO. _____ | |
| | NO. _____ | |
| | NO. _____ | |



- DRAINAGE LEGEND**
- PROPOSED STORM SEWER
 - EXISTING STORM SEWER
 - PROPOSED SWALE
 - EXISTING DITCH
 - PROPOSED PIPE UNDERDRAIN
 - △ 1 PROPOSED STRUCTURE
 - 1 PROPOSED PIPE
 - △ EX CONNECT TO EXISTING



| | | | | | | | | | | |
|---|-------------------|-----------|---|--|--|--------------------------|----------------------------------|---|------------------|---------------|
| TYLIN INTERNATIONAL USER NAME = #USER# PLOT SCALE = #SCALE# PLOT DATE = 4/28/2011 | DESIGNED - MR | REVISED - | STATE OF ILLINOIS DEPARTMENT OF TRANSPORTATION | CENTRAL AVENUE OVER I-55 DRAINAGE PLAN AND PROFILE, I-55 - RAMP 1 | | F.A.I. RTE. 55 | SECTION 0711.2R & 1011.1BR | COUNTY COOK | TOTAL SHEETS 741 | SHEET NO. 140 |
| | DRAWN - MR | REVISED - | | SCALE: HOR. 1"=50' VER. 1"=5' | | SHEET NO. 4 OF 13 SHEETS | STA. 178+48.47 TO STA. 187+00.00 | CONTRACT NO. 60999 | | |
| | CHECKED - AZ | REVISED - | | | | | | FED. ROAD DIST. NO. [ILLINOIS] FED. AID PROJECT | | |
| | DATE - 03/25/2011 | REVISED - | | | | | | | | |