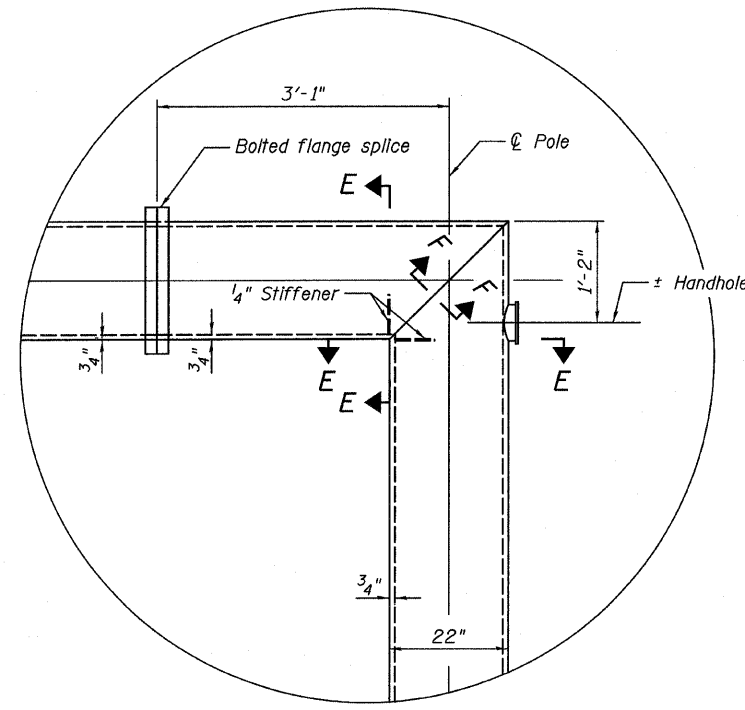
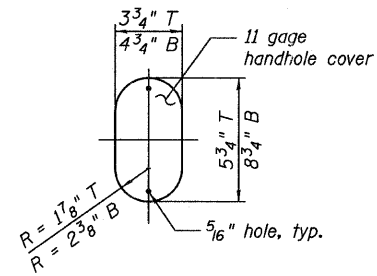


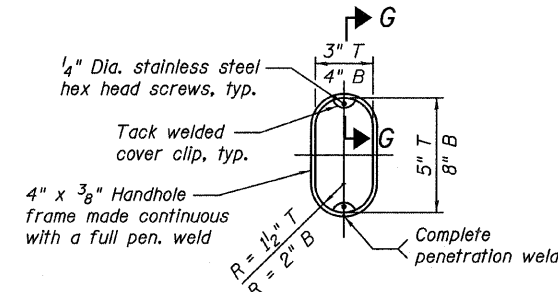
STATE OF ILLINOIS
DEPARTMENT OF TRANSPORTATION



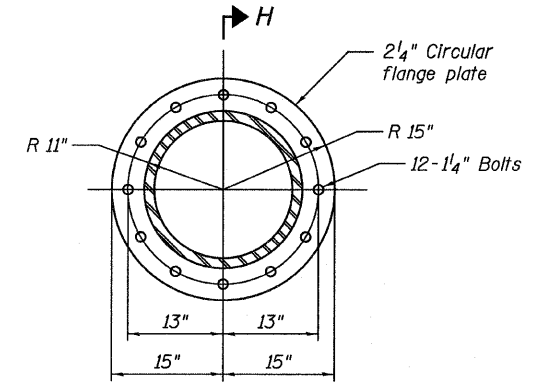
DETAIL 'A'



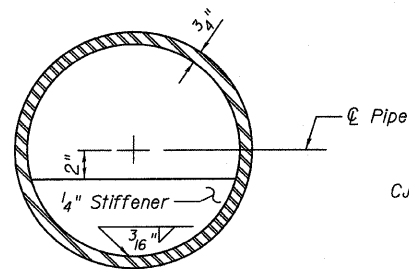
HANDHOLE COVER



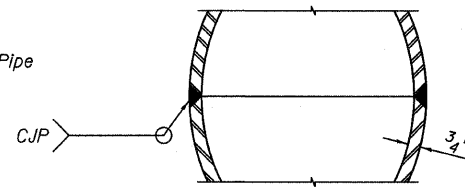
HANDHOLE FRAME



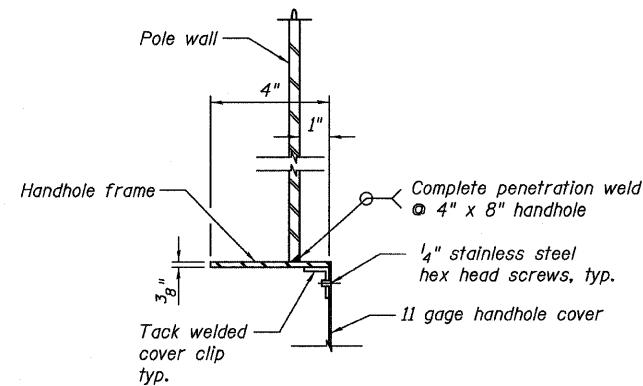
FLANGE SPLICE DETAILS



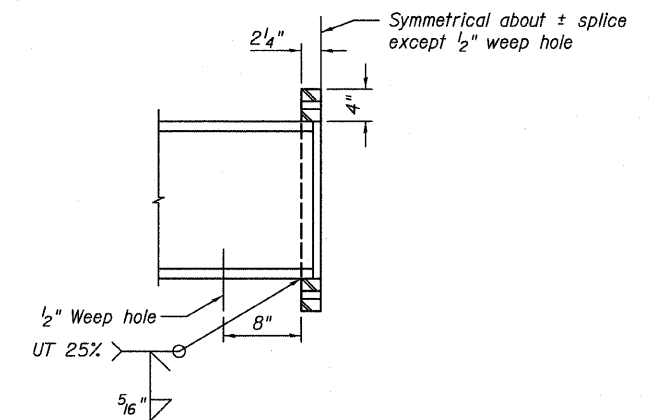
SECTION E-E



SECTION F-F



SECTION G-G



SECTION H-H

MONOTUBE SIGNAL STRUCTURE
ARM CONNECTION DETAILS
& TABLE OF VARIABLES

TYLIN INTERNATIONAL	DESIGNED - MAU	REVISIONS		SHEET NO.	F.A.I. RTE.	SECTION	COUNTY	TOTAL SHEETS	SHEET NO.	
	CHECKED - AMD,	NAME	DATE		55	0711.2R & 1011.1BR	COOK	741	208	
	DRAWN - MAU				SHEETS		CONTRACT NO. 60999			
	CHECKED - AMD,				FED. ROAD DIST. NO. 1 ILLINOIS FED. AID PROJECT					
	DATE - 03/25/2011									

4/28/2011 3:02:44 PM p:\01345\ROAD\155m-t4.dgn