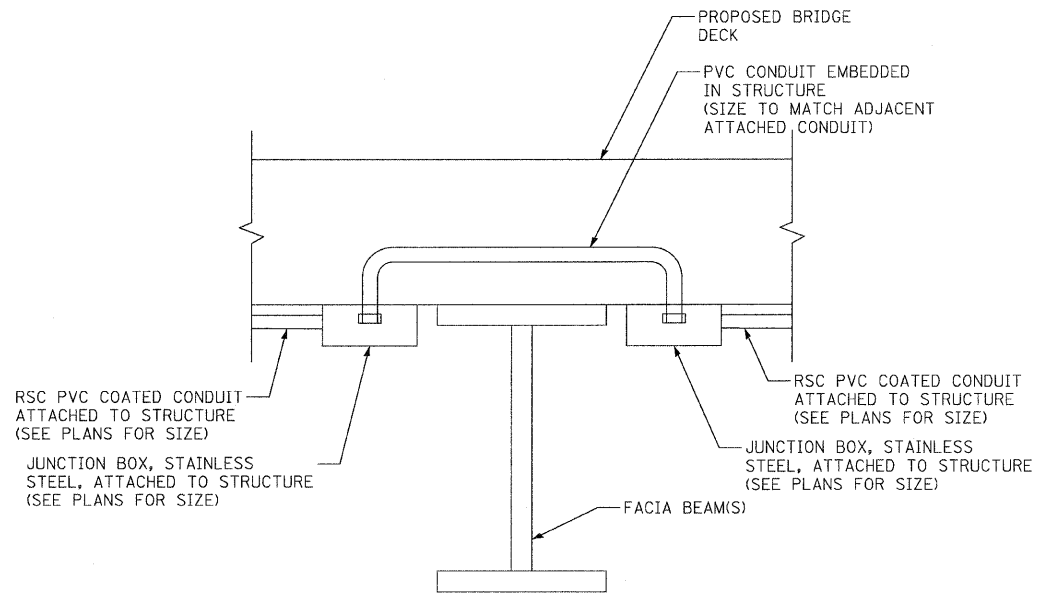


DETAIL A



DETAIL B

SINGH
 SINGH & ASSOCIATES, INC.
 CONSULTING ENGINEERS

300 W. ADAMS ST.
 CHICAGO, IL 60606
 TEL: (312) 629-0240
 FAX: (312) 629-8449

USER NAME = #USER#	DESIGNED - MK	REVISED -
PLOT SCALE = #SCALE#	DRAWN - AM	REVISED -
PLOT DATE = 3/22/2011	CHECKED - GR	REVISED -
	DATE - 3-25-2011	REVISED -

**STATE OF ILLINOIS
 DEPARTMENT OF TRANSPORTATION**

**CENTRAL AVENUE OVER I-55
 UNDERPASS LIGHTING DETAILS AND SECTIONS**

SCALE: 1" = 20' SHEET NO. OF SHEETS STA. TO STA.

F.A. RTE.	SECTION	COUNTY	TOTAL SHEETS	SHEET NO.
55	9H, HB & SBIR-1	COOK	741	217
CONTRACT NO. 60999				
FED. ROAD DIST. NO. ILLINOIS FED. AID PROJECT				