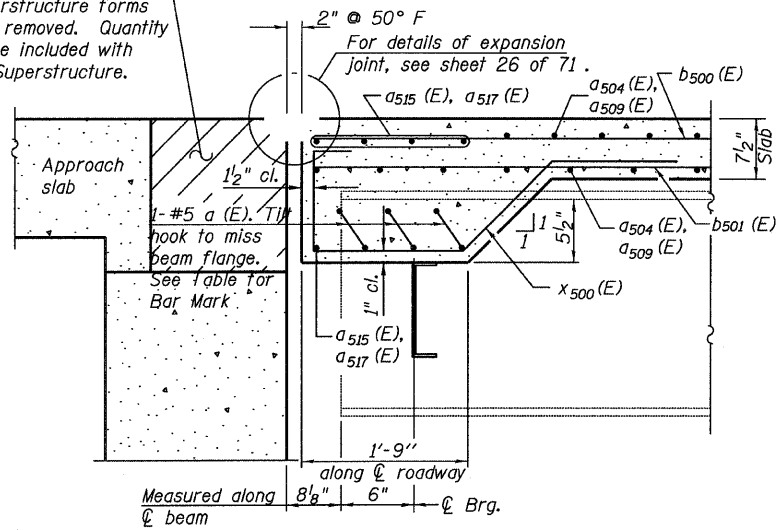


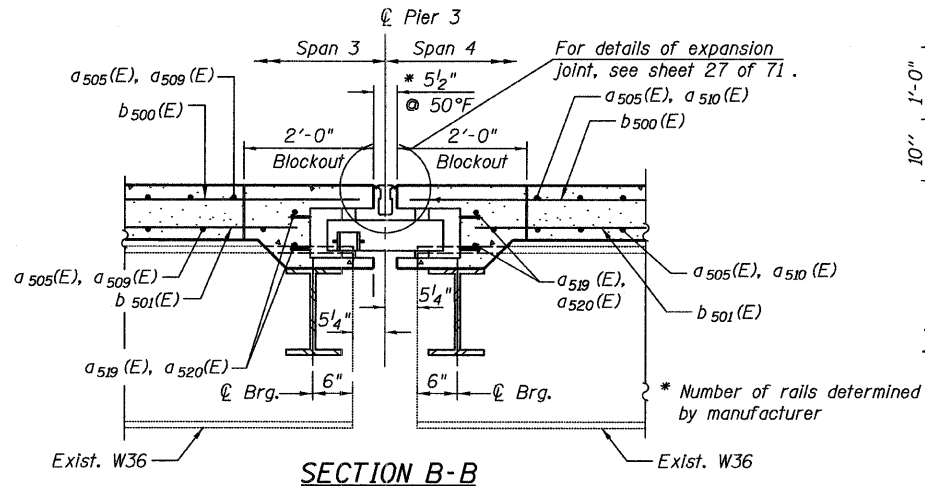
STATE OF ILLINOIS
DEPARTMENT OF TRANSPORTATION

Hatched area to be poured after superstructure forms have been removed. Quantity of concrete included with Concrete Superstructure.

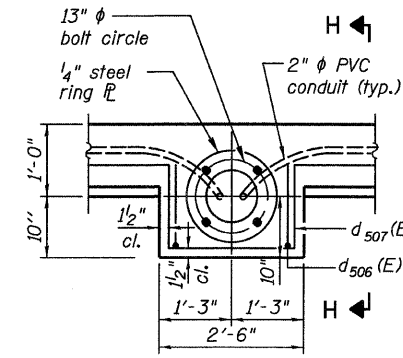


SECTION A-A

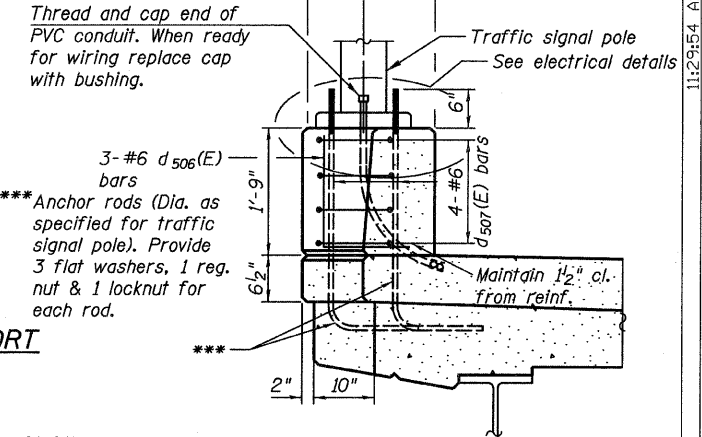
Beams	Mark
SG1 - 1	a525(E)
1-2 Thru 7-8	a526(E)
8 - 9	a527(E)
9-10 Thru 15-16	a526(E)
16 - SG2	a528(E)
SG2 - SG3	a528(E)



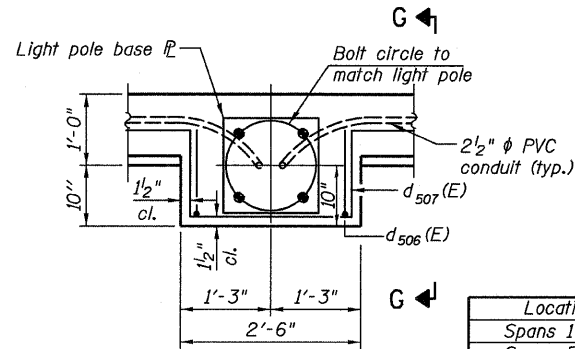
SECTION B-B



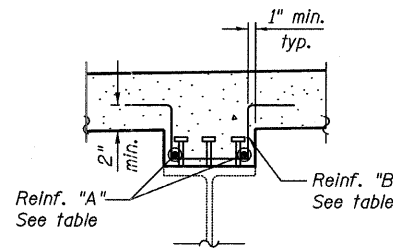
PLAN
TRAFFIC SIGNAL POLE SUPPORT
(MOUNTED ON PARAPET)



SECTION H-H

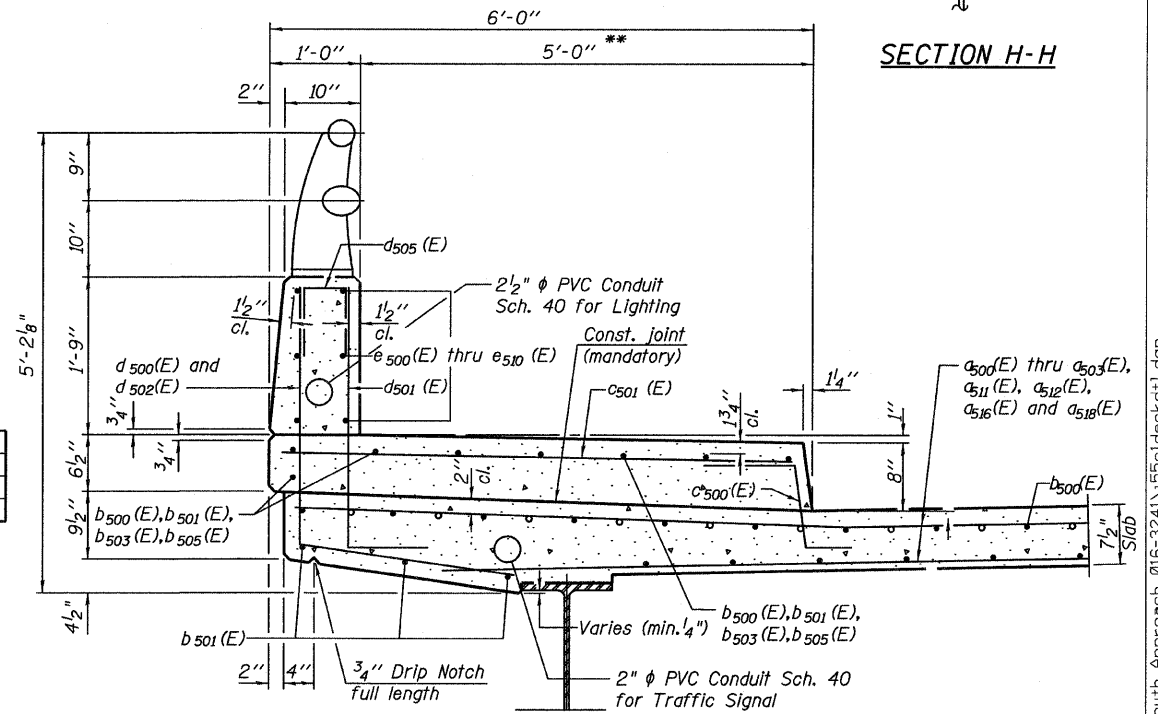


PLAN
LIGHT POLE SUPPORT
(MOUNTED ON PARAPET)



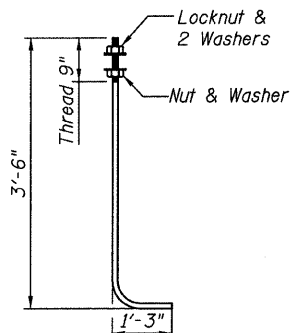
FILLET REINFORCEMENT

Location	Beams	Reinforcement "A"	Reinforcement "B"
Spans 1-3	8 & 9	1x7-#4 bars	228-#4 bars @ 12" cts.
Spans 5-6	3-13	1x5-#4 bars	159-#4 bars @ 12" cts.



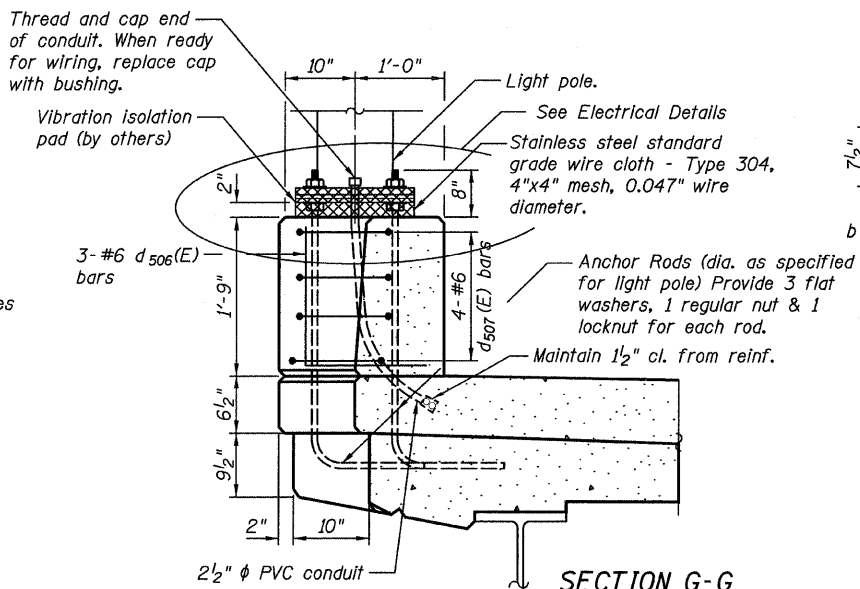
SECTION THRU SIDEWALK & PARAPET

** Measured perpendicular to face of Parapet.

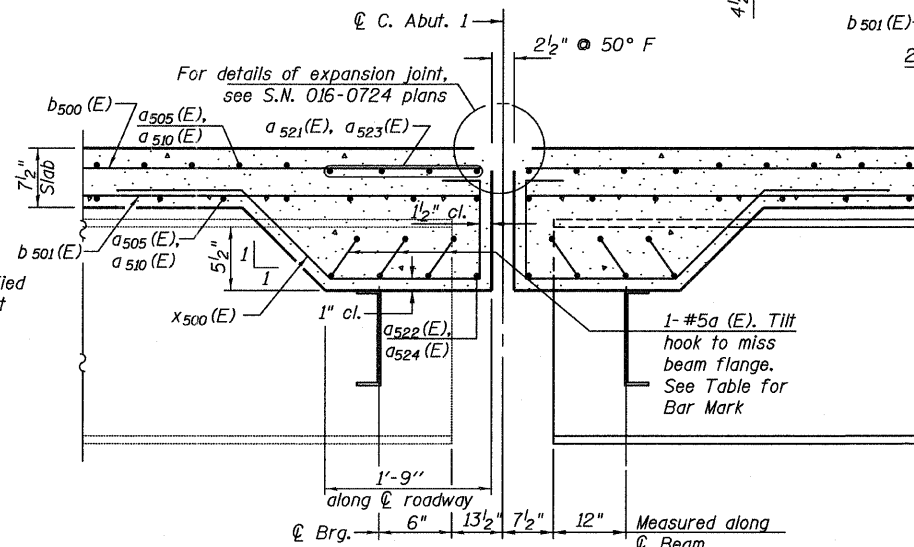


ANCHOR ROD

Diameter as specified for light poles/traffic signal poles (ASTM F 1554 Grade 105)



SECTION G-G



SECTION E-E

Beams	Mark
SG7-SG6	a529(E)
SG6-SG5	a529(E)
SG5-SG4	a530(E)
SG4-1	a529(E)
1-2 Thru 7-8	a526(E)
8-9	a527(E)
9-10 Thru 15-16	a526(E)
16-SG8	a531(E)
SG8-SG9	a531(E)
SG9-SG10	a532(E)
SG10-SG11	a533(E)
SG11-SG12	a533(E)

NOTES

- Cost of anchor bolts & conduit is included with Concrete Superstructure.
- Bars indicated thus 1x7-#5 etc. indicates 1 line of bars with 7 lengths per line.
- For locations of sections A-A and B-B see Sheet 17.

SUPERSTRUCTURE
DETAILS
STRUCTURE NO. 016-3241

TYLIN INTERNATIONAL

DESIGNED	JRE	REVISIONS	
CHECKED	AMD, MMB	NAME	DATE
DRAWN	MAU		
CHECKED	AMD, MMB		
DATE	03/25/2011		

SHEET NO. 22	F.A.I RTE.	SECTION	COUNTY	TOTAL SHEETS	SHEET NO.
71 SHEETS	55	0711.2R & 1011.1BR	COOK	741	275
CONTRACT NO. 60999					
FED. ROAD DIST. NO. 1 ILLINOIS FED. AID PROJECT					