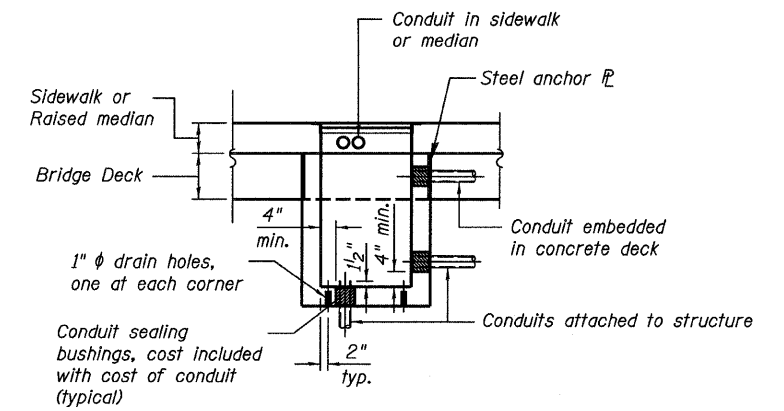
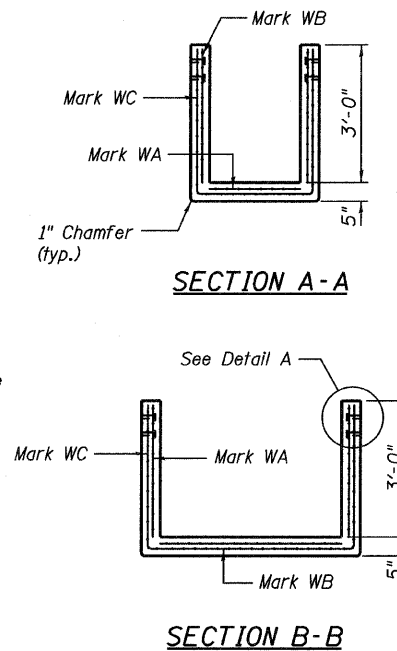
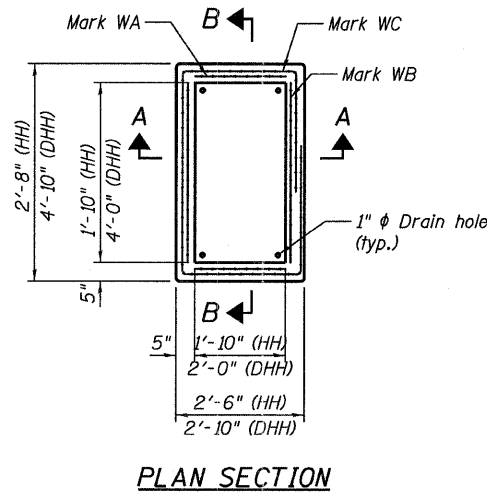
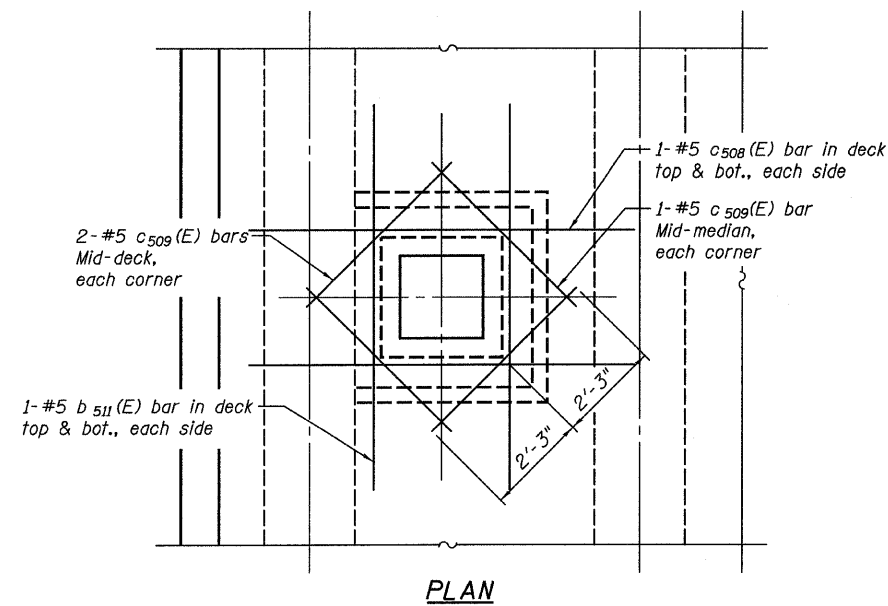


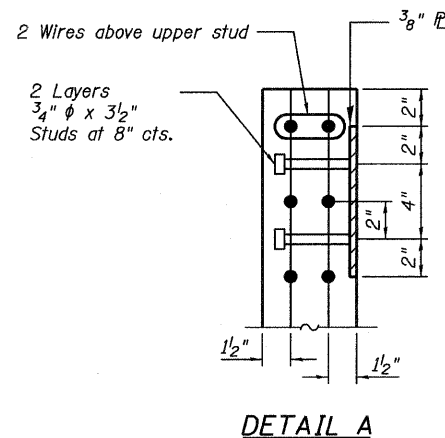
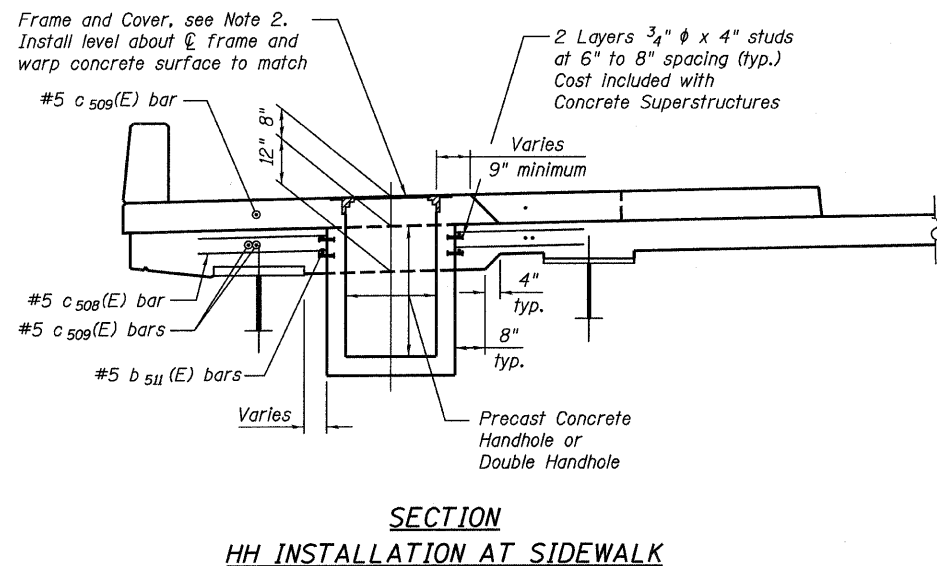
STATE OF ILLINOIS
DEPARTMENT OF TRANSPORTATION



CONDUIT DETAILS & HANDHOLES

- Holes for conduit penetration must be cast in or cored in shop. Min. clear spacing between conduit holes shall be 5 in.
- Conduit holes shall be compatible with Fabricator's Conduit Sealing System.
- The contractor shall coordinate the sizes & locations of the conduits with the conduit installation plan, and include the sizes & locations of the conduit holes in the shop drawings for fabrication of the handholes. The conduit installation plan shall be submitted for information with the Handhole shop drawings.

PRECAST CONCRETE HH & DHH DETAILS



NOTES:

- Frame and cover shall be Neenah R6662-GP for single handhole, and R6663-KH for double handhole; or approved equal. Cost included with Handhole (Special).
- For concrete handhole locations, see Sheet 18.
- Cost of handhole concrete, reinforcement, embedded studs and 3/8" Ⓡ shall be included in Handhole (Special).
- For bar list and bar details, see Sheet 23.

MARK	WWR	HH		DHH	
		L [ft]	T [ft]	L [ft]	T [ft]
WA	*	8'-2"	1'-11"	10'-4"	2'-1"
WB	*	8'-6"	1'-11"	8'-8"	4'-1"
WC	*	10'-0"	3'-4"	14'-8"	3'-4"

* All WWR shall be epoxy coated 4" x 4" - MW26xMW26. All bend radii 1". Min. lap 6".

Note:
Work this sheet with Traffic Signal and Lighting Plans.

**STRUCTURE-MOUNTED
HANDHOLE DETAILS
STRUCTURE NO. 016-3241**

TYLIN INTERNATIONAL	DESIGNED - MMB	REVISIONS		SHEET NO. 23A	F.A.I. RTE.	SECTION	COUNTY	TOTAL SHEETS	SHEET NO.	
	CHECKED - AMD,	NAME	DATE		71 SHEETS	55	0711.2R & 1011.1BR	COOK	741	276A
	DRAWN - MMB				CONTRACT NO. 60999					
	CHECKED - AMD,				FED. ROAD DIST. NO. 1 ILLINOIS FED. AID PROJECT					
	DATE - 03/25/2011									